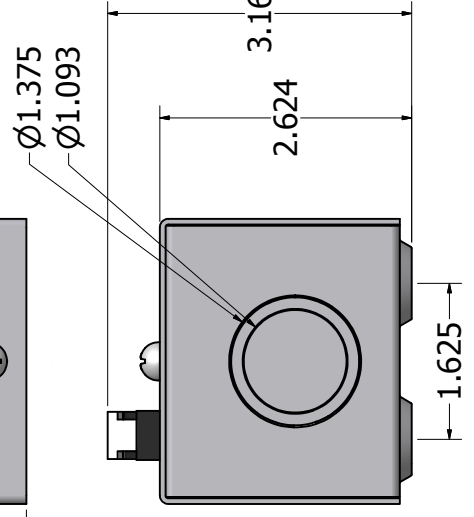
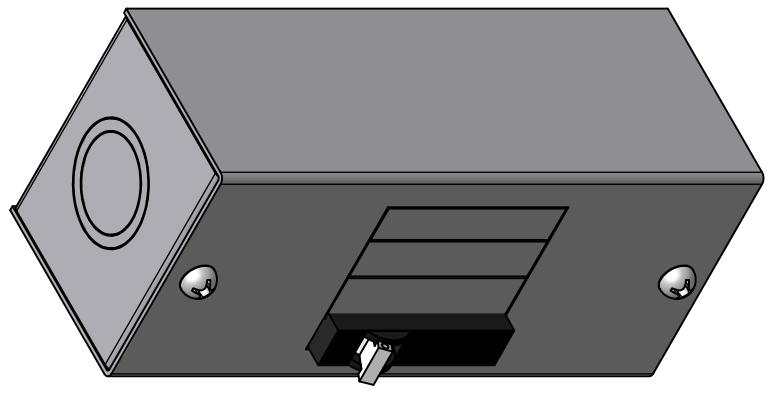
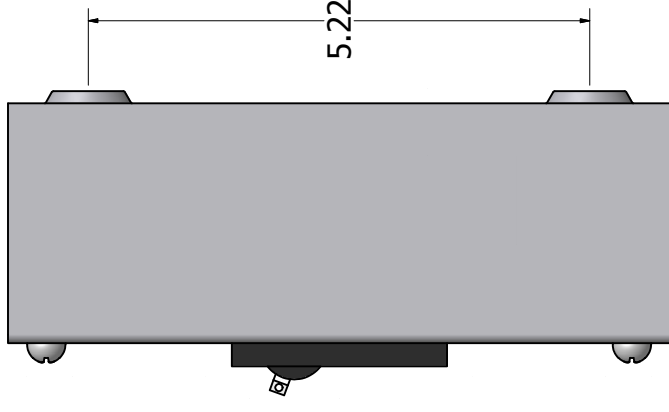
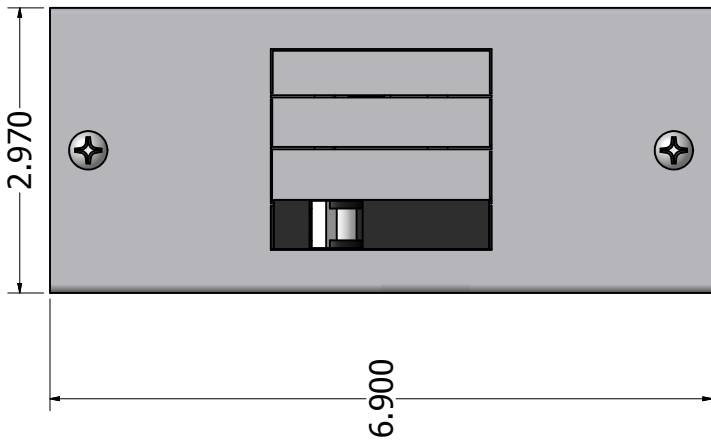
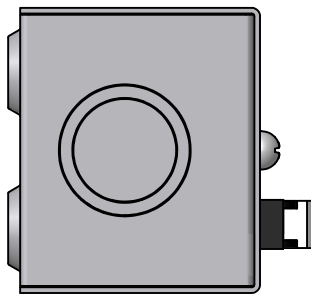


Notes: 18 gauge steel indoor enclosure gray powdercoating
 3/4 & 1" knockouts each end
 Din rail for up to four MNEPV breakers
 Limit breaker quantity to two when using 6AWG wire
 Left hand breaker position knocked out standard



DRAWN Robin Gudgel	6/11/2008	MidNite Solar
CHECKED		
QA		TITLE
MFG		Baby Box
APPROVED		
	SIZE C	DWG NO babybox
	SCALE	REV new
		SHEET 1 OF 1