

# Trak-Sentry™ HD

## DOOR TRAK PROTECTION SPECIFICATION



Trak-Sentry™ wraps securely around door track without interference



Your solution to door track repairs caused by lift trucks during loading. Maximum protection for your overhead door tracks in a low-profile design. Trak-Sentry™ HD is constructed of heavy-duty steel for extra strength. Trak-Sentry™ wraps securely around the door's track without interfering with normal door operation. Industrial grade nuts and bolts (included) mount Trak-Sentry™ to the floor. Epoxy-based, safety yellow, powder coating designed to prolong life and durability. Rigid wall mounting flange is hole punched and ready to install (wall hardware not included).

### Design Highlights

- Heavy-duty steel construction - 1/4" steel upright
- 4' standard height for maximized protection
- Includes 6 heavy-duty anchors for floor installation (wall anchors by others)
- APS Resource warrants this product will be free from defects in material and workmanship under normal use for (1) year

### Project Information

Job Name \_\_\_\_\_

Address \_\_\_\_\_

General Contractor \_\_\_\_\_

Distributor \_\_\_\_\_

Model \_\_\_\_\_

Quantity \_\_\_\_\_

### Certified For Construction

By \_\_\_\_\_

Company \_\_\_\_\_

Address \_\_\_\_\_

Date \_\_\_\_\_



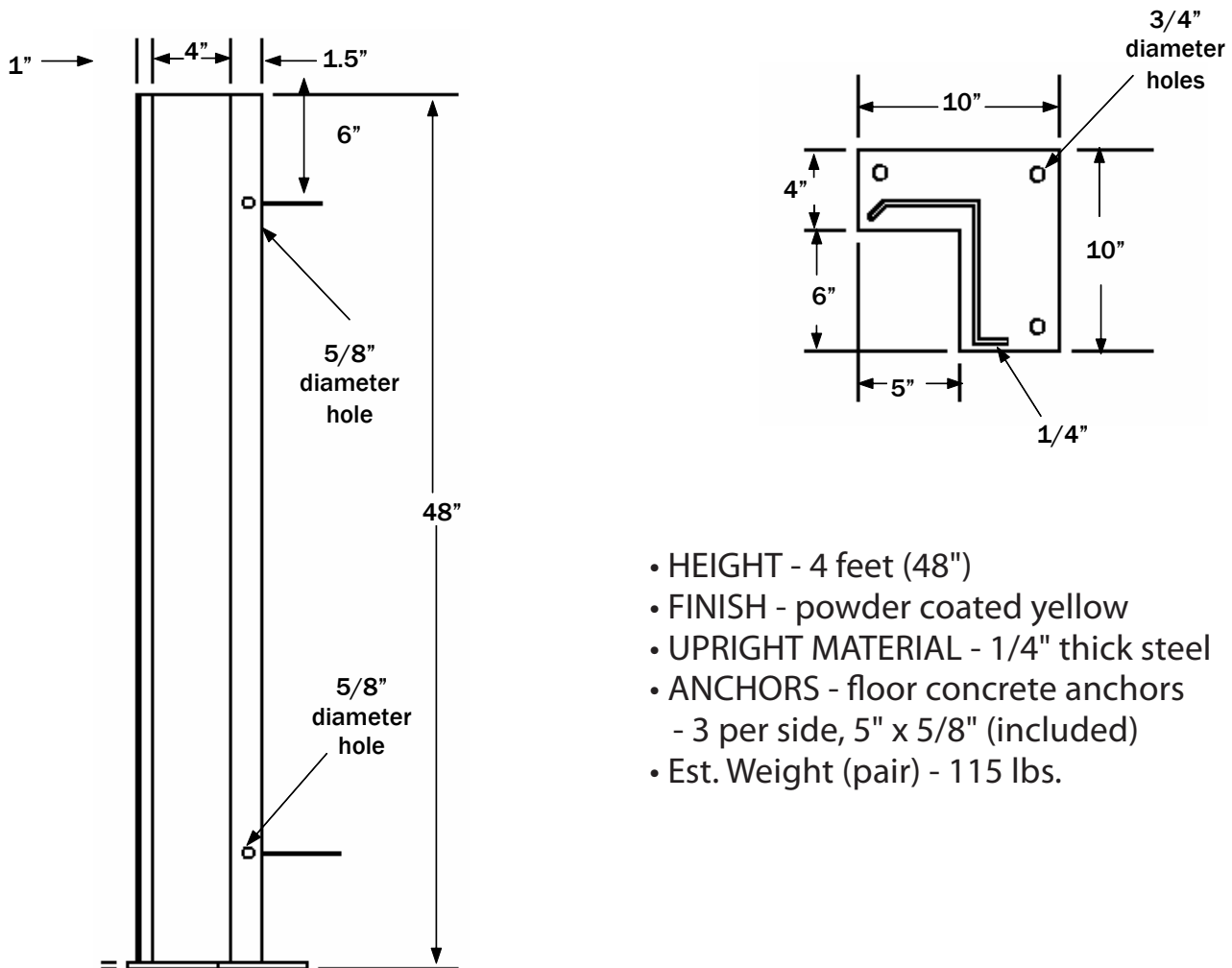
# Trak-Sentry™ HD

## DOOR TRAK PROTECTION SPECIFICATION

### Trak-Sentry™ HD

TRAK-SENTRY™ is sold in sets.

A left TRAK-SENTRY™ is shown; a right unit would be the mirror image.



- HEIGHT - 4 feet (48")
- FINISH - powder coated yellow
- UPRIGHT MATERIAL - 1/4" thick steel
- ANCHORS - floor concrete anchors  
- 3 per side, 5" x 5/8" (included)
- Est. Weight (pair) - 115 lbs.

