

# VELOCITY™ HVLS FAN

## PRODUCT SPECIFICATIONS

HIGH VOLUME LOW SPEED FAN

### Design Highlights

- Large “Air Current Depth” - horizontal floor jet of 3-9 ft (1-3 m)
- Contributes to LEED® Certification credits and qualifies for most energy rebate programs
- NACA aerodynamic airfoil blades optimize forward and reverse functionality
- Anodized blades are corrosion-resistant
- Load reducing Universal Mount System
- Patent-pending Blade-Lock Safety System™ includes guy wires and safety cable
- Cast/Machined Aluminum Hub
- Blade straps and retaining collars lock blades to hub struts and adjacent blades
- High performance Variable Frequency Drive (VFD) mounted on fan frame
- Adjustable speed control panel with forward/off/reverse switch and self-diagnostics
- Aerodynamic blade winglets with patent-pending design and made from high density polyethylene (HDPE)
- All VFD/Motor wiring factory installed
- Supplied with 20 feet of Power Cable factory wired to fan motor (connection to power source by others)

### Motor Size

- 1 HP (All Blade Sizes)
- 1.5 HP (20 FT/6.1 M Sizes Only)
- 2 HP (24 FT/7.3 M Sizes Only)

### Fan Diameter

- 8 FT (2.4 M)
- 10 FT (3.0 M)
- 12 FT (3.7 M)
- 14 FT (4.3 M)
- 16 FT (4.9 M)
- 18 FT (5.5 M)
- 20 FT (6.1 M)
- 24 FT (7.3 M)

### Available Options

- Stainless Steel Motor (Consult Factory)
- Explosion Proof Motor (Consult Factory)
- Powder Coated Blades \_\_\_\_\_
- Heresite Coating (Consult Factory)
- Hot Dip Galvanized (Consult Factory)
- Glulam Clamp (For Wood Structures)
- Extra Wide Beam Plate
- Super Short Mount
- Mounting Extension \_\_\_\_\_ FT / M
- Remote Lock Box
- Fused Disconnect

### Project Information

Job Name \_\_\_\_\_  
 Address \_\_\_\_\_  
 General Contractor \_\_\_\_\_  
 Distributor \_\_\_\_\_  
 Model \_\_\_\_\_ Quantity \_\_\_\_\_ Voltage/Phase \_\_\_\_\_

### Certified For Construction

By \_\_\_\_\_  
 Company \_\_\_\_\_  
 Address \_\_\_\_\_  
 Date \_\_\_\_\_

**Construction**

Frame ..... Black Powder Coat / Welded A36 Steel Fabrication  
 Hybrid Hub ..... 356 T-6 Cast Aluminum  
 Blade Struts (Invertible) ..... Black Anodized / 6061 T-6 Aluminum  
 Blades ..... Anodized / 6063-T6 Aluminum  
 Blade End Winglets ..... HDPE - High Density Polyethylene

**Safety Components**

Blade Retaining Links (6) ..... Zinc Plated / 10 GA A569 Steel  
 Safety Cable ..... Galvanized / 1/4" x 7 x 19 Steel Aircraft Grade Cable  
 Guy Wires ..... Galvanized / 1/8" x 7 x 19 Steel Aircraft Grade Cable  
 Safety Link Extenders (6) ..... Zinc Plated / 10 GA A569 Steel  
 Rotor Retaining Ring ..... Zinc Plated / 3/16 A569 Steel

**Mounting Hardware**

Standard Mount ..... Universal I-Beam Clamp w/ Swivel Joint & 7.5" Drop  
 Glulam Mount (Optional) ..... Brackets w/ Swivel Joint & 7.5" Drop  
 Extra Wide / Thick I-Beam Mount (Optional) ..... Consult Factory  
 Additional Drop Extensions (Optional) ..... Up to 10 FT in 1 FT Increments

**Motor**

Phase ..... 3  
 Volts ..... 208-230/480 3Ø  
 Insulation Class ..... F

**Gearbox**

Type ..... 2-Stage Helical  
 Service Interval ..... Lubed For Life

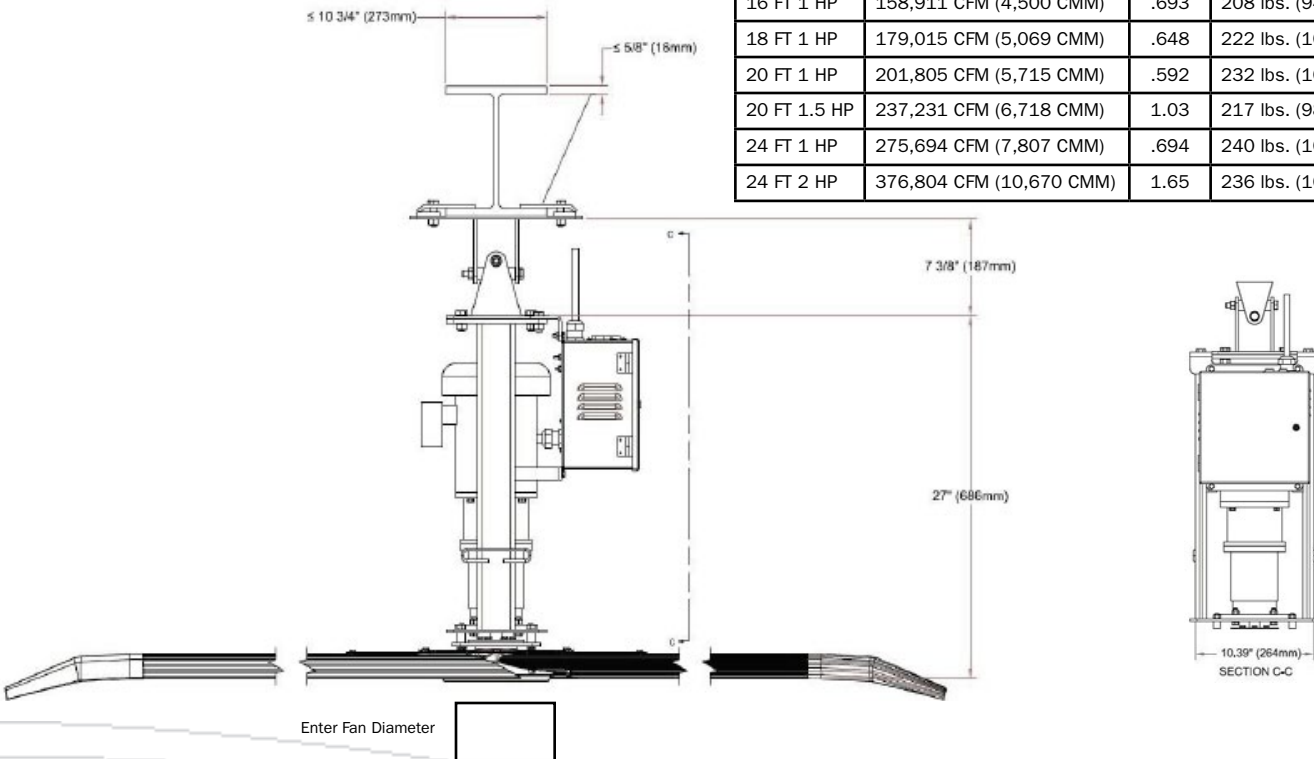
**VFD Control Panel (Integrally Wired to Motor)**

Standard Power ..... 208-230V 1Ø or 3Ø, 460-480V 3Ø  
 Enclosure ..... NEMA 1  
 Remote CAT 5E Cable ..... 2 Cables - Each 100 Feet / 30.48 Meters  
 50hz Operation (Optional) ..... (Not included with iFAN™ option)  
 Disconnect Supplied by Others  
 \*Line Reactor Included\*

**Warranty**

Lifetime Warranty on Blades, Hub & Frame  
 12-Year Service Life Limited Warranty  
 3-Year Parts and 1-Year Labor

Fan Size	Displacement	KW Usage	Hanging Weight	Normal Industrial Spacing
8 FT 1 HP	53,693 CFM (1,518 CMM)	.684	160 lbs. (73 kg)	55'
10 FT 1 HP	83,025 CFM (2,351 CMM)	.559	181 lbs. (82 kg)	60'
12 FT 1 HP	97,695 CFM (2,766 CMM)	.605	190 lbs. (86 kg)	65'
14 FT 1 HP	128,010 CFM (3,625 CMM)	.734	194 lbs. (86 kg)	70'
16 FT 1 HP	158,911 CFM (4,500 CMM)	.693	208 lbs. (94 kg)	90'
18 FT 1 HP	179,015 CFM (5,069 CMM)	.648	222 lbs. (101 kg)	90'
20 FT 1 HP	201,805 CFM (5,715 CMM)	.592	232 lbs. (105 kg)	90'
20 FT 1.5 HP	237,231 CFM (6,718 CMM)	1.03	217 lbs. (98 kg)	95'
24 FT 1 HP	275,694 CFM (7,807 CMM)	.694	240 lbs. (109 kg)	100'
24 FT 2 HP	376,804 CFM (10,670 CMM)	1.65	236 lbs. (107 kg)	110'



**VELOCITY™ HVLS FAN**



1612 Hutton Drive, Suite 140 • Carrollton, TX 75006, USA • Tel: 800-933-4834 • Fax: 972-323-2639 • Email: sales@sercocompany.com • www.sercocompany.com

A continuing research program is in effect at Serco. We reserve the right to incorporate product improvement at any time without prior notice.