

# PHARMA-SEAL

HIGH PERFORMANCE ROLLING DOOR

## The High-Speed Roll Door Engineered for cGMP and “Class-Rated” Facilities

With input from pharmaceutical engineers in the United States and Europe, the Pharma-Seal is engineered to comply with cGMP guidelines, and to be the tightest sealing, most reliable, high performance rolling door available today. The Pharma-Seal’s design eliminates external photo eyes, brackets and electrical coil cords. This fully enclosed door offers full stainless steel side columns and head assembly. The door incorporates the unique Ry-Beam light curtain safety system.

The Pharma-Seal door is engineered for high-cycle environments. Its simple design has no external parts. A flush membrane switch and flush manual release handle make it easy to clean. Designed to meet the requirements of cGMP facilities, the Pharma-Seal is engineered and manufactured to provide the reliability required for uninterrupted facility operations.

**Easy to Clean** - Fully enclosed 304 or 316 stainless steel side and hood covers, and no windribs on curtain provide smooth, easy to clean surfaces.

**Safe** - The Ry-Beam™ light curtain covers the door opening up to 98 inches to meet OSHA requirements. The door reverses without physical contact providing unparalleled personnel and equipment safety.

**Fast** - Opens at up to 50 inches per second with an adjustable closing speed to meet your exact specifications.

**Simple to Control** - The System 4™ controller features state-of-the-art motion control technology, as well as numerous easy programming options to meet your exact specifications. Absolute encoder eliminates mechanical limit switches.

**Low Profile** - The Pharma-Seal requires only 9 inches of side frame clearance and only 14 inches of head clearance.

**Tight Seal** - With only a 3/8-inch gap for the curtain, the hidden wind knobs allow this door to be self-sealing around the entire perimeter.

**Manual Release** - If power is lost, simply pull the flush manual release handle to open the door.



*Shown with optional vision and Pharma-Guard bollards*



# PHARMA-SEAL

## HIGH PERFORMANCE ROLLING DOOR

### Model Name

- Rytec® Pharma-Seal® Door

### Size and Dimensions

- Up to 10'W x 10'H
- 8" side column projection
- 14" headroom above lintel
- Left hand motor placement
- 12" head projection
- 9" side clearance, both sides

### Safety

- Ry-Beam™ light curtain.

### Available Options

- 316 Stainless Steel for head and side frames
- Vulcanized vision windows

### Warranty

- One year limited warranty on materials and workmanship.

### Door Safety



- Patented RyBeam light curtain mounted in the door jamb provides coverage of the door opening up to 98".
- Persons or objects entering the opening will cause the door to reverse without contact

### Door Construction

- USDA/FDA Compliant, 2-ply multifilament white or blue panel with hidden wind knobs standard.
- Easily withstands industry standard of 0.10 inches of water, with little to no air infiltration.
- Fully enclosed side frames, constructed of 304 stainless steel are easy to clean and remove.



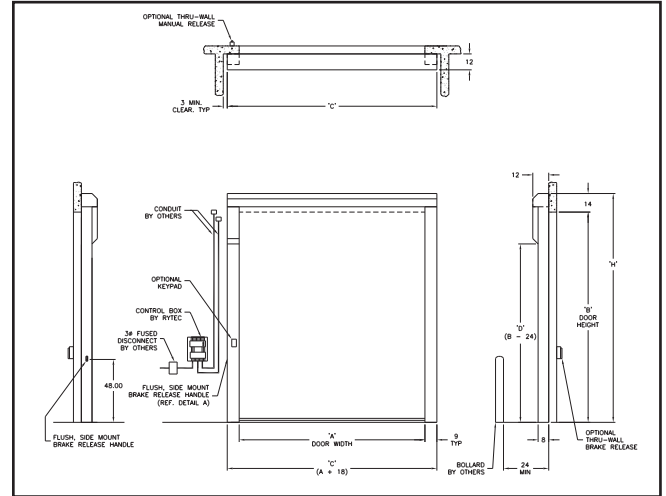
Flush membrane switch allows controls to be mounted remotely

### Electrical Controls



System 4 shown with optional rotary disconnect

- System 4™ controller housed in a NEMA 4X rated enclosure with factory set parameters.
- Intelligent processor monitors and controls power consumption.
- Advanced self-diagnostics for troubleshooting.



### Manual Release

- Counterbalanced manual release system incorporates fully-enclosed counterweight and brake release allowing the door to open with the flip of a lever.



Flush Manual Release

### Travel Speed

- Opens at up to 50-inches per second.

### Head Assembly

- Stainless steel hood fully encloses the head creating a seal at the top of the door, eliminating the need for a weather gasket that eventually can create particles in the air and on the floor.

### Bottom Bar

- Stainless steel bottom bar with only a 3-inch profile height.
- Vinyl loop seal hugs the floor for a tight seal.
- No coil cord or other electronics in the bottom bar.

### Stainless Steel Bollards

- Optional Pharma-Guard™ seamless, stainless steel, bollards with sloped tops to minimize accumulation of contaminants are available.



HIGH PERFORMANCE DOORS FOR LIFE SCIENCES

888-GO-RYTEC RytecDoors.com  
Tel 262-677-9046 Fax 262-677-2058  
One Cedar Parkway Jackson, WI 53037-0403