

PHARMA-ROLL[®]

HIGH PERFORMANCE ROLLING DOOR

The High-Speed Roll Door Designed to Meet FDA Guidelines.

The Pharma-Roll door is designed specifically to meet the operational and sanitary requirements of the pharmaceutical industry. Its seals maintain the pressure differentials found in pharmaceutical facilities. The removable side frame covers, bottom bar and optional stainless steel hood provide for ease of wipedown cleaning.

The Pharma-Roll is the one door that will maintain the sanitary integrity of your pharmaceutical operations, while providing all the maintenance-saving and efficiency benefits of high performance, high-speed, Break-Away[™] doors.

Sanitary - Stainless steel bottom bar and removable side covers permit full wipe down of all surfaces to maintain a sanitary environment.

Safe - Full-width, replaceable PVC window provides excellent visibility. Thru-beam photo eyes and pneumatic, dual-chamber reversing edge are standard.

Fast - Opens at up to 50 inches per second for improved traffic flow.

Takes a Hit - The Clean-Set[™], Break-Away[™] bottom bar with Ry-WI[™] wireless can be reset in just seconds, without tools, virtually eliminating down time.

Ry-Wi[™] System - State-of-the-art wireless technology eliminates the need for a coil cord. Two-way communication and total frequency control ensure safety and eliminate interference.

Simple to Control - The System 3[®] controller features state-of-the-art motion control technology, as well as pre-programmed and programable control options.



PHARMA-ROLL®

HIGH PERFORMANCE ROLLING DOOR

Model: Rytec® Pharma-Roll® Door

Standard Size: Up to 12 feet wide by 14 feet high.

Door Panel: Standard 32-ounce replaceable vinyl sections with up to four wind ribs and one full-width, replaceable PVC vision panel. Options include 2-ply Rilon™ or 2-ply, USDA/FDA compliant panel material.

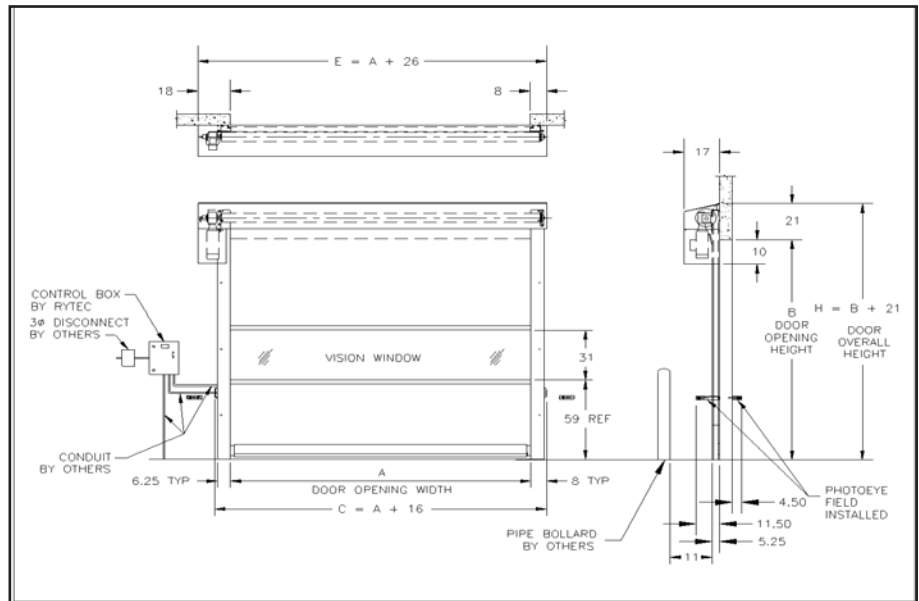
Side Frames: Fully bolt-together aluminum side frames with removable covers with 304 stainless and #4 finish for easy cleaning. Optional 316 stainless steel is available. Dual NEMA 4X thru-beam electric photo eyes field installed. Full-height weatherseal to provide a tight seal.

Bottom Bar: Clean-Set, Break-Away stainless steel bottom bar releases in either direction upon impact without damage to the door. Standard dual cut-off switches shut off motor when bottom bar is impacted. Pneumatic, dual-chamber reversing edge standard on bottom bar. No exposed junction box on bottom bar. Loop seal hugs floor contour for tight seal.

Drive System: Three-phase, variable speed AC Drive provides soft acceleration and deceleration. Independent opening and closing speeds provide flexibility to accommodate any application.

Travel Speed: Opens at up to 50 inches per second.

Warranty: One-year limited warranty on materials and workmanship.



Replaceable Window Panels
Integral connecting ribs allow for quick and easy replacement of vision panel, if necessary.



Easy to Reset
Clean-Set, Break-Away tabs allow bottom bar to be reset in just seconds, without tools, after taking a hit.



Cleaning Made Quick and Easy
Patented stainless steel side column covers can be removed, without tools, for fast, thorough cleaning.

Electrical Controls: System 3 controller is housed in a NEMA 4 rated enclosure with factory set parameters. Self-diagnostic features and a two-line, 32-character LCD display in English, Spanish or French provide quick and straightforward installation and control adjustments. Programmable inputs and outputs accommodate special control requirements, including interlocks, without the need for additional electrical components.



Optional Hood Assembly
Roll and motor cover available with 304 or 316 stainless steel with a #4 finish.

