



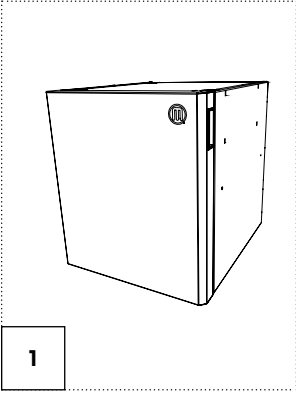
# **THE MAKERBOT® CART**

## **FOR THE MAKERBOT® REPLICATOR® Z18**

The MakerBot Cart provides convenient mobility and storage for your MakerBot Replicator Z18 and accessories.

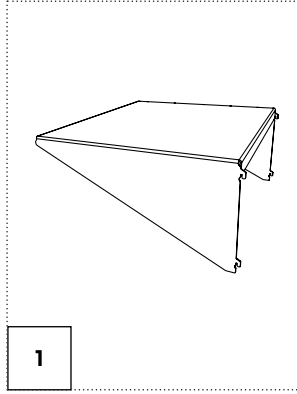
## PARTS LIST

---



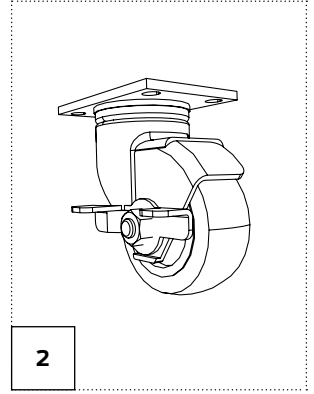
1

MakerBot Cart body



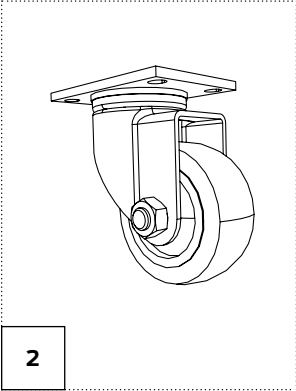
1

Side shelf



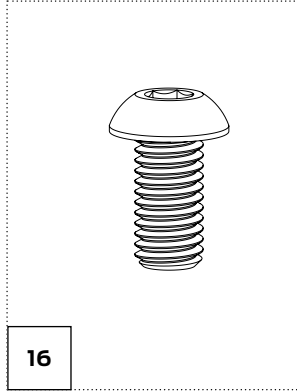
2

Locking casters



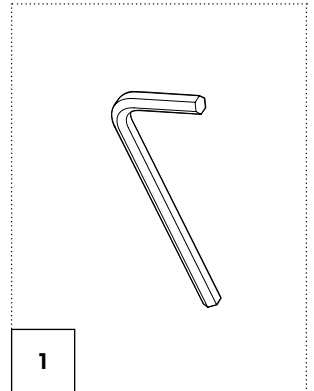
2

Non-locking casters



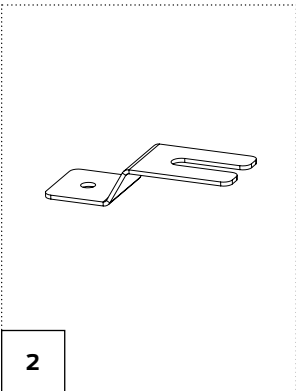
16

M8x16 bolts



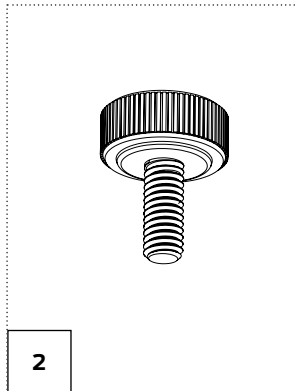
1

M8 Hex wrench



2

Locking brackets



2

Thumbscrews

## IMPORTANT SAFETY INFORMATION

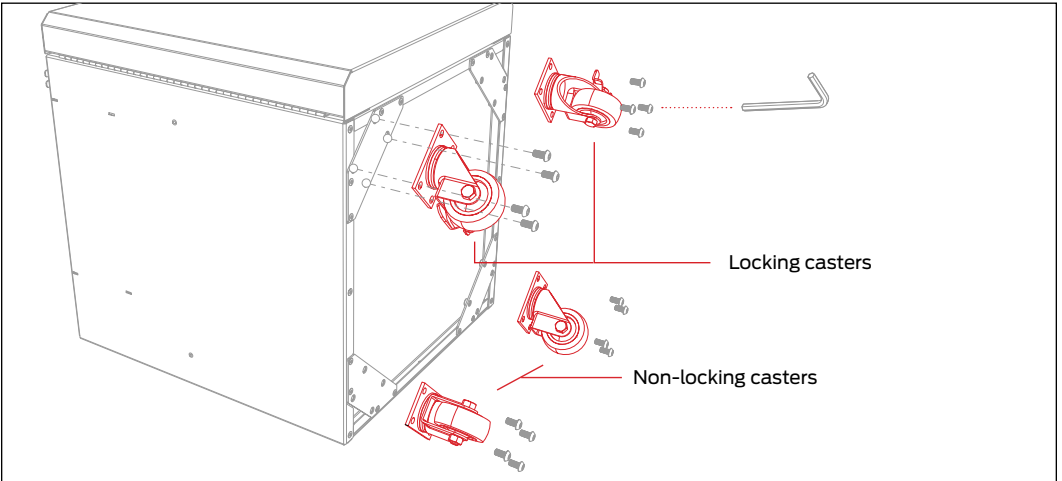
---

Carefully read all instructions before use. Keep these instructions for future reference.

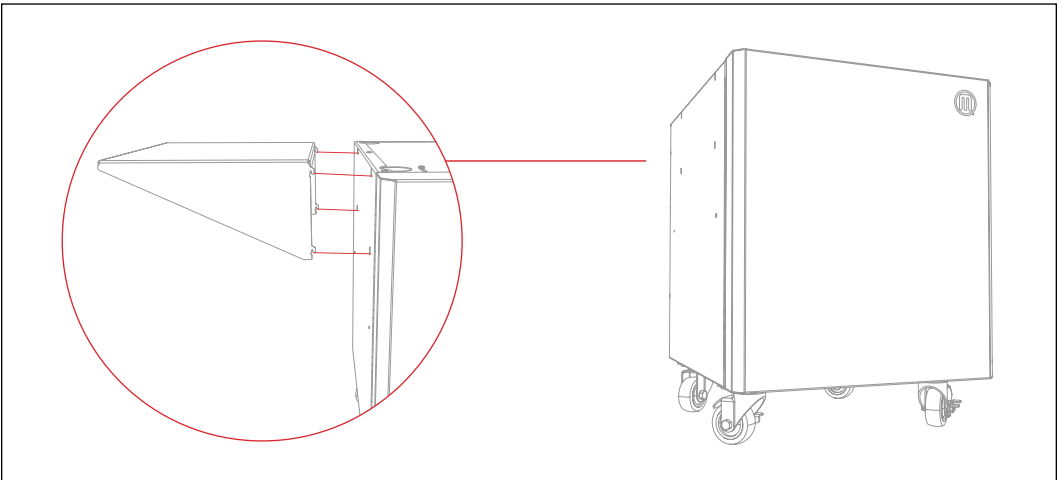
- Warning:** Do not load the MakerBot Cart with more than 225lbs.
- Warning:** Do not load the MakerBot Cart side shelf with more than 30lbs.
- Caution:** Two people are required to lift the MakerBot Replicator Z18 onto or off of the MakerBot Cart. Do not lift alone. To prevent injury, lift with your legs, not your back.
- Warning:** Do not leave the MakerBot Cart on an uneven or slanted floor.
- Warning:** Always lock casters when not moving the MakerBot Cart.
- Warning:** Always make sure the MakerBot Replicator Z18 is securely locked to the MakerBot Cart before moving the cart.
- Warning:** The MakerBot Cart is designed to be used with the MakerBot Replicator Z18. Do not use the MakerBot Cart with other 3D printers.
- Warning:** Do not sit on either the MakerBot Cart or its side shelf.
- Warning:** Discontinue use of the MakerBot Cart if any part becomes damaged.

## ASSEMBLY INSTRUCTIONS

### 1. SET MAKERBOT CART ON ITS BACK AND ATTACH CASTERS.

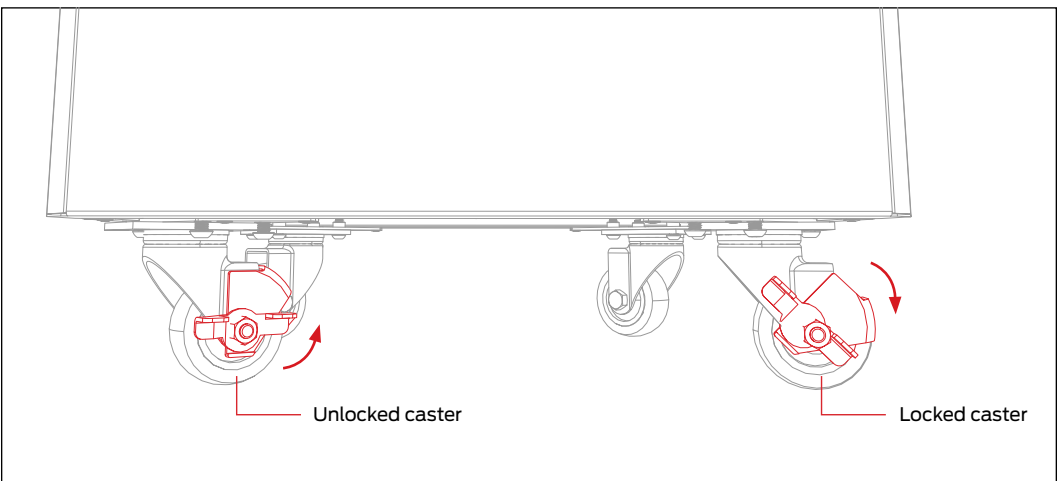


### 2. SET CART UPRIGHT AND INSTALL SIDE SHELF.

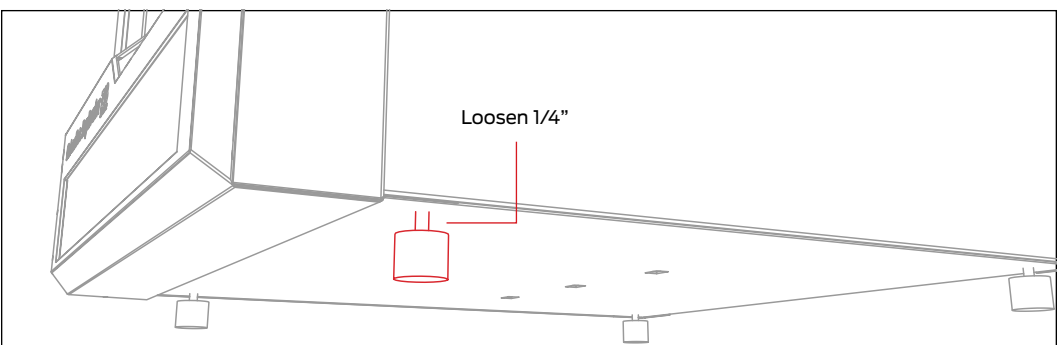


## PLACING THE MAKERBOT REPLICATOR Z18 ON THE CART

### 1. LOCK BOTH FRONT CASTERS.



### 2. LOOSEN THE FRONT FEET ON THE MAKERBOT REPLICATOR Z18.

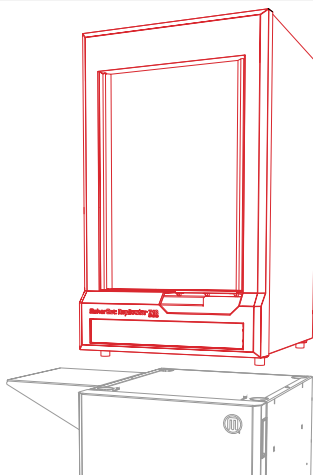


**Note:** Ensure the MakerBot Replicator Z18 is stable after adjusting the front feet. Also adjust the rear feet if necessary.

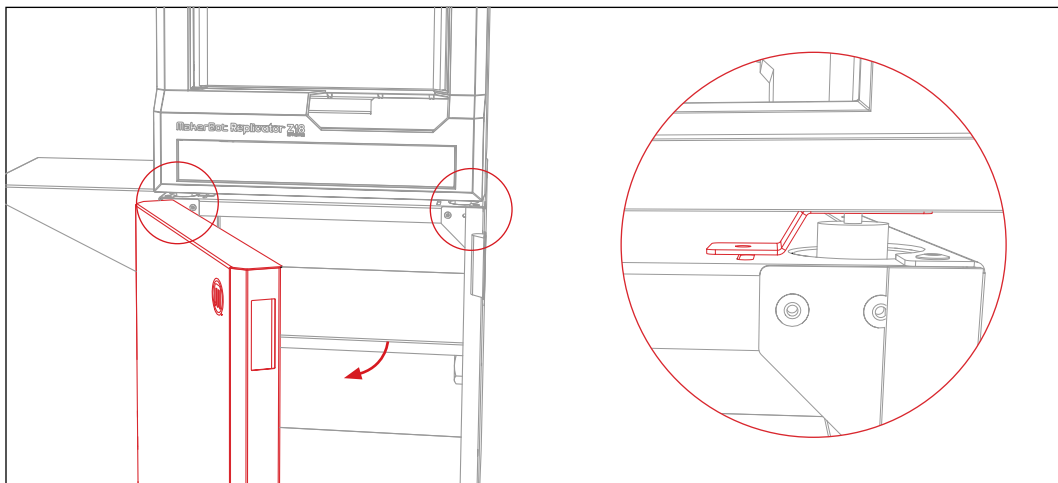
**3. LIFT THE MAKERBOT REPLICATOR Z18 AND PLACE IT ON THE CART.**



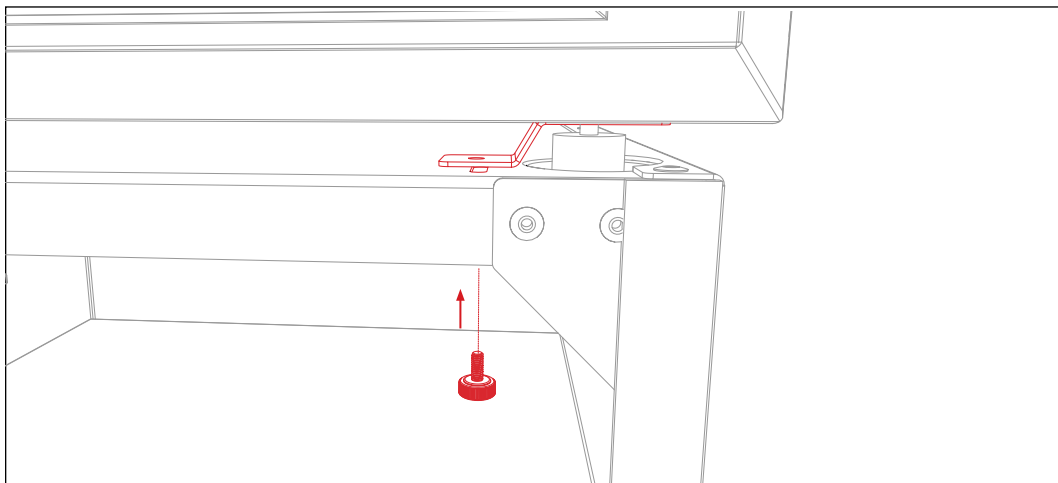
**Caution:** Always use two people to lift the MakerBot Replicator Z18 and place it on the cart.



**4. SLIDE BRACKETS INTO PLACE.**



**5. INSERT THUMBSCREWS INTO BRACKETS FROM UNDERNEATH.**



**6. TIGHTEN THUMBSCREWS TO SECURE BRACKETS.**

