

# DSX-CHA021S

## M12 4-Position Adapters

### Users Guide

The DSX-CHA021S is a set of two adapters for use with Fluke Networks DSX CableAnalyzer™ testers. The adapters let you certify installed M12 links and patch cords to the IEEE 802.3 specifications for Fast Ethernet (100BASE-TX).

## Make Sure You Have the Correct Software

- The main and remote DSX testers must have software version 3.0 or higher to operate with the DSX-CHA021 adapters.
- Before you upload M12 records from the DSX tester, install LinkWare PC software version 9.0 or higher.
- Versiv software upgrades and LinkWare PC software are available at no charge on the Fluke Networks website. To install upgrades in your testers, use LinkWare PC software. For instructions, see the online help in LinkWare PC or the *Versiv Users Manual*.

## Safety Information

### **Warning**

To prevent possible fire, electric shock, or personal injury, read the safety information in the documentation supplied with your Versiv™ and DSX products before you use the tester.

### **Caution**

To prevent damage to the tester, adapters, and cables under test, to prevent data loss, and to make sure your test results are as accurate as possible:

- Do not connect the adapters to telephone lines of any type, including ISDN lines.
- Set the reference before you use the DSX-CHA021 adapters for the first time, and approximately every thirty days after that.



## Set the Reference

Before you use the DSX-CHA021 adapters to test and certify links, set the reference. Repeat the reference procedure approximately every thirty days, or more often if desired.

### To set the reference

#### Note

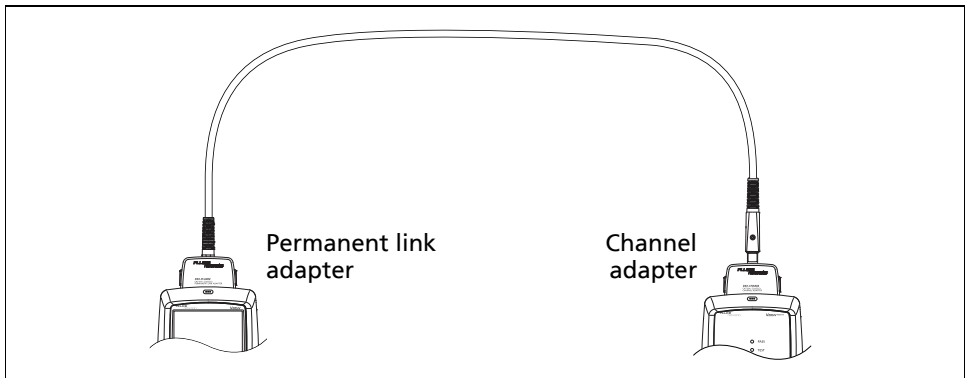
To do the reference procedure, you must use an 8-position connection between the main and remote testers. Because the DSX-CHA021 M12 adapters have only 4 positions, you cannot use them to set the reference.

- 1 Turn on the tester and the remote a minimum of 1 minute before you set the reference.

#### Note

Set the reference only after the testers are at an ambient temperature between 50 °F and 104 °F (10 °C and 40 °C).

- 2 Connect the main and remote testers together as shown in Figure 1.
- 3 On the home screen, tap **TOOLS**, then tap **Set Reference**.
- 4 On the **SET REFERENCE** screen tap **TEST**.



GPU89.EPS

Figure 1. Reference Connections

## Certify an M12 Link

#### Notes

You must select a test limit and outlet configuration that support tests on two-pair cable.

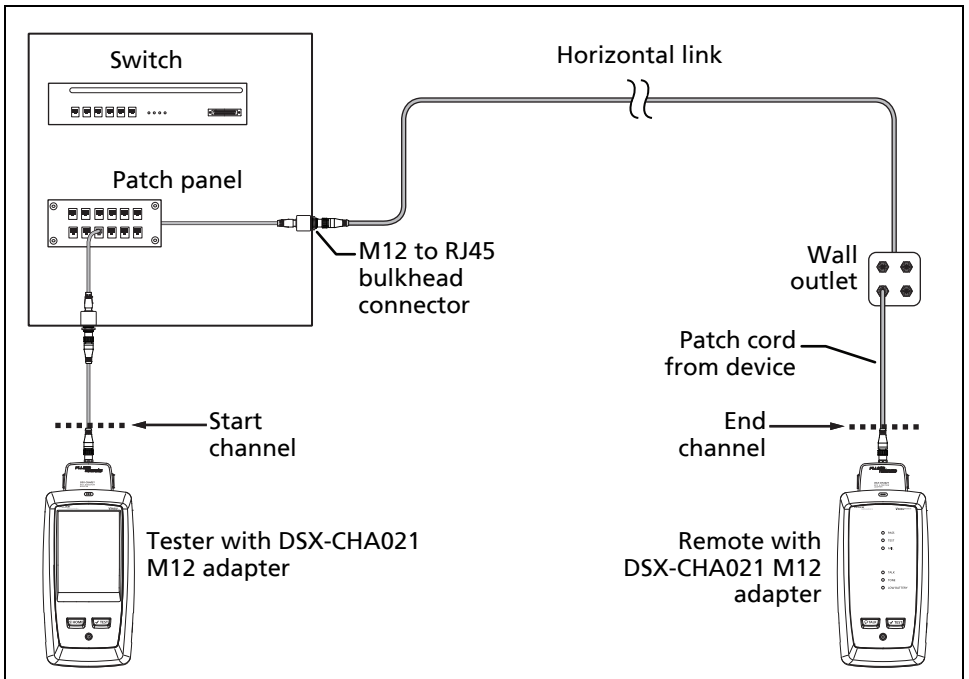
The IEEE 802.3 standards support only the channel link configuration.

- 1 On the home screen, tap the test setup panel.
- 2 On the **CHANGE TEST** screen, tap **NEW TEST**.
- 3 On the **TEST SETUP** screen, tap the panels to select settings:
  - **Cable Type:** If the correct type is not in the **LAST USED** list, tap **MORE**, tap **Manufacturers**, tap the correct manufacturer, then tap a cable type.
  - **Shield Test:** Shows only for shielded cable types. To get a **FAIL** result if the shield is open, select **On**. See the Versiv Users Manual for more information.
  - **Test Limit:** If the correct limit is not in the **LAST USED** list, tap **MORE**, then tap a group.
  - **Outlet Configuration:** Select the correct two-pair configuration.
- 4 On the **TEST SETUP** screen, tap **SAVE** when your test setup is completed.
- 5 Connect the testers to the link (Figure 2).

*Note*


*One tester can have an RJ45 channel adapter if necessary.*

- 6 Tap **TEST** on the main tester or press  **TEST** on the main or remote tester.



**Figure 2. Typical Connections for Tests on an M12 Link**

# Certify an M12 Patch Cord

- 1 On the home screen, tap the test setup panel.
- 2 On the **CHANGE TEST** screen, tap **NEW TEST**.
- 3 On the **TEST SETUP** screen, tap the panels to select settings:
  - **Cable Type:** If the correct type is not in the **LAST USED** list, tap **MORE**, tap **Manufacturers**, tap the correct manufacturer, then tap a cable type.
  - **Shield Test:** Shows only for shielded cable types. To get a **FAIL** result if the shield is open, select **On**. See the Versiv Users Manual for more information.
  - **Test Limit:** If the correct patch cord limit is not in the **LAST USED** list, tap **MORE**, tap **Patch Cords**, then select the correct limit.
  - **Outlet Configuration:** Select the correct two-pair configuration.
- 4 On the **TEST SETUP** screen, tap **SAVE** when your test setup is completed.
- 5 Connect the testers to the patch cord (Figure 2), then tap **TEST** on the main tester or press  on the main or remote tester.

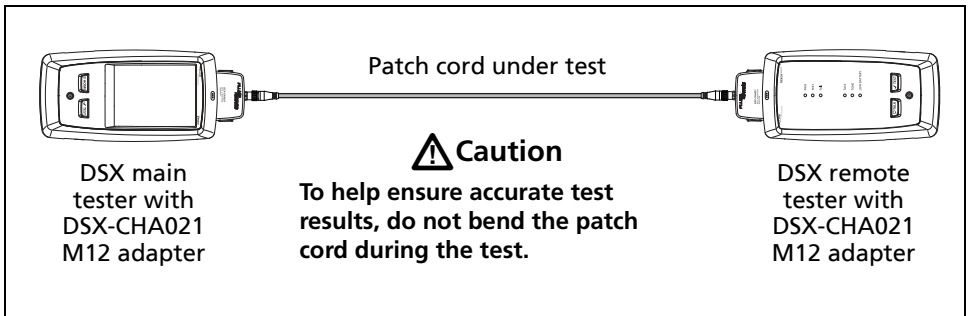


Figure 3. Connections for Tests on a Patch Cord

## Maintenance and Service

Clean the adapters with a soft cloth that is moist with water or water and a mild soap. Do not use abrasives, solvents, or alcohol.

If an adapter does not operate correctly, look for damage to the adapter's connectors. Make sure that the adapter is latched tightly to the tester.

The adapters have no serviceable parts. To get a replacement adapter, speak to a Fluke Networks representative

For the most current test limits and features, keep your tester's software current. The latest version of software is available at no charge on the Fluke Networks website.

## Contact Fluke Networks



[www.flukenetworks.com](http://www.flukenetworks.com)



[support@flukenetworks.com](mailto:support@flukenetworks.com)



1-800-283-5853, +1-425-446-5500

Fluke Networks operates in more than 50 countries worldwide. For more contact information, visit our website.

## Specifications

The DSX-CHA021 adapter meets all measurement accuracy specifications for Level IIe test equipment. For more information, visit the Fluke Networks website.

**Life of adapter contacts (typical):** >5,000 cycles

**Certifications:**    <sup>®</sup>  
C US

**Dimensions:** 3.0 in x 2.1 in x 1.2 in (75 mm x 54 mm x 30 mm) (each adapter)

**Weight:** 2.6 oz (74 g) (each adapter)

**Connector type:** M12-4, "D" coded (IEC 61076-2-101)



Do not put products containing circuit boards into the garbage. Dispose of circuits boards in accordance with local regulations.

## LIMITED WARRANTY AND LIMITATION OF LIABILITY

Fluke Networks mainframe products will be free from defects in material and workmanship for one year from the date of purchase, unless stated otherwise herein. Parts, accessories, product repairs and services are warranted for 90 days, unless otherwise stated. Ni-Cad, Ni-MH and Li-Ion batteries, cables or other peripherals are all considered parts or accessories. This warranty does not cover damage from accident, neglect, misuse, alteration, contamination, or abnormal conditions of operation or handling. Resellers are not authorized to extend any other warranty on Fluke Networks' behalf. To obtain service during the warranty period, contact your nearest Fluke Networks authorized service center to obtain return authorization information, then send your defective product to that Service Center with a description of the problem.

For a list of authorized resellers, visit [www.flukenetworks.com/wheretobuy](http://www.flukenetworks.com/wheretobuy).

THIS WARRANTY IS YOUR ONLY REMEDY. NO OTHER WARRANTIES, SUCH AS FITNESS FOR A PARTICULAR PURPOSE, ARE EXPRESSED OR IMPLIED. FLUKE NETWORKS IS NOT LIABLE FOR ANY SPECIAL, INDIRECT, INCIDENTAL OR CONSEQUENTIAL DAMAGES OR LOSSES, ARISING FROM ANY CAUSE OR THEORY. Since some states or countries do not allow the exclusion or limitation of an implied warranty or of incidental or consequential damages, this limitation of liability may not apply to you.

4/15

Fluke Networks  
PO Box 777  
Everett, WA 98206-0777  
USA