

DSX Class F_A

Twisted Pair Adapters for the DSX-5000

Users Guide

The DSX-PLA011, DSX-CHA011, and DSX-CHA012 are permanent link and channel adapters for use with Fluke Networks DSX-5000 CableAnalyzer™ modules. These adapters let you do tests on installed links that use Cat 7A cabling and connecting hardware to make sure the links comply with ISO Class F_A performance specifications. The adapter's minimal effect on test results gives results that exceed the accuracy and repeatability specifications given in the IEC 61935-1 standard.

Two Class F_A adapter kits are available from Fluke Networks:

DSX-CHA012S Adapter Kit

- 2 DSX-CHA012 Channel Adapters to certify Nexans GG45 installations
- DSX Reference Module






DSX-TERA Adapter Kit

- 2 DSX-PLA011 Permanent Link Adapters to certify Siemon TERA® installations
- 2 DSX-CHA011 Channel Adapters to certify Siemon TERA installations

Note

The adapters are not compatible with the DSX-8000.

Symbols

	Warning or Caution: Risk of damage or destruction to equipment or software. See explanations in the manuals.
	Warning: Risk of fire, electric shock, or personal injury.
	Consult the user documentation.
	This product complies with the WEEE Directive marking requirements. The affixed label indicates that you must not discard this electrical/electronic product in domestic household waste. Product Category: With reference to the equipment types in the WEEE Directive Annex I, this product is classed as category 9 "Monitoring and Control Instrumentation" product. Do not dispose of this product as unsorted municipal waste. To return unwanted products, contact the manufacturer's web site shown on the product or your local sales office or distributor.
	40 year Environment Friendly Use Period (EFUP) under China Regulation - Administrative Measure on the Control of Pollution Caused by Electronic Information Products. This is the period of time before any of the identified hazardous substances are likely to leak out, causing possible harm to health and the environment.

Safety Information

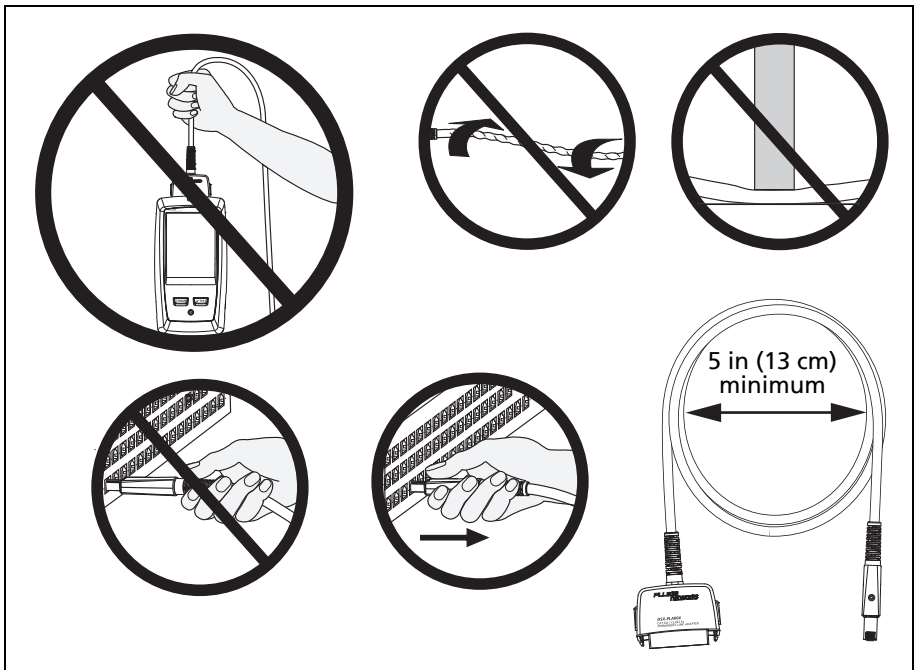
Warning

To prevent possible fire, electric shock, or personal injury, read the safety information in the documentation supplied with the modules and the Versiv™ units before you use the tester.

Caution

To prevent damage to the tester, adapters, and cables under test, to prevent data loss, and to make sure your test results are as accurate as possible:

- Do not connect the adapters to telephone lines of any type, including ISDN lines.
- Set the reference before you use the adapters for the first time, and approximately every thirty days after that.
- For permanent link adapters, do not twist, pull on, pinch, crush, or make kinks in the cables. See Figure 1.



HFL108.EPS

Figure 1. How to Prevent Damage to the Permanent Link Adapter Cables

Set the Reference

To use DSX-5000 CableAnalyzer modules on a Class F or F_A link, and before you use the Class F_A adapters for the first time, you must set the reference. After that, set the reference approximately every thirty days, at minimum.

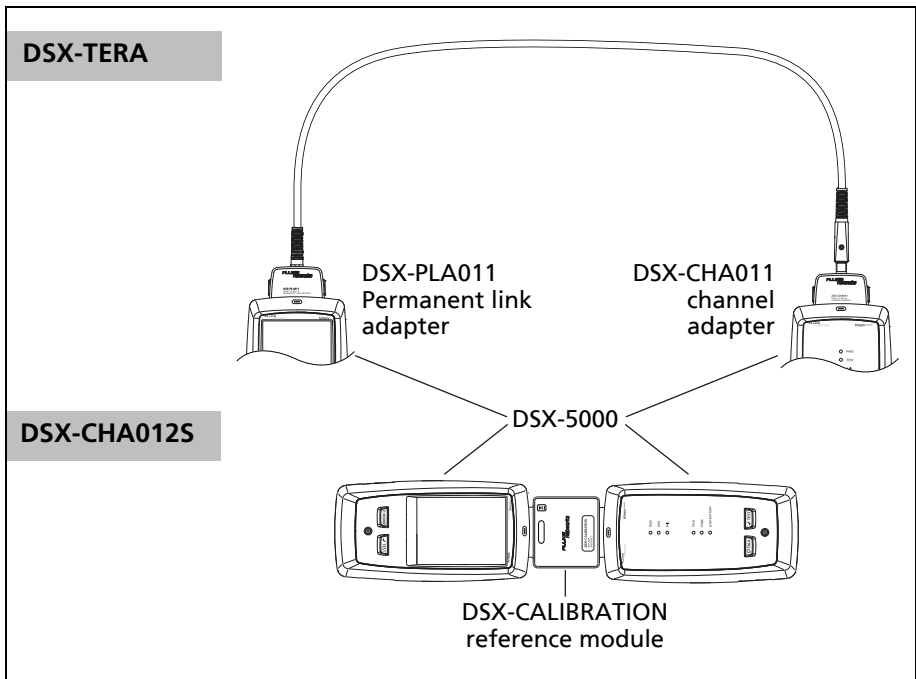
To set the reference

- 1 Make the connections shown in Figure 2.
- 2 Turn on the tester and the remote a minimum of 5 minutes before you set the reference.

Note

Set the reference only after the testers are at an ambient temperature between 10 °C and 40 °C (50 °F and 104 °F).

- 3 On the home screen, tap **TOOLS**, then tap **Set Reference**.
- 4 On the **SET REFERENCE** screen tap **TEST**.



HFL00.EPS

Figure 2. Reference Connections for Class F_A Test Limits

Do Tests

Figures 3 and 4 show typical connections for tests on permanent links and channels. Be sure to select the test limit applicable to the link. For more information on how to do tests, see the documentation supplied with your tester.

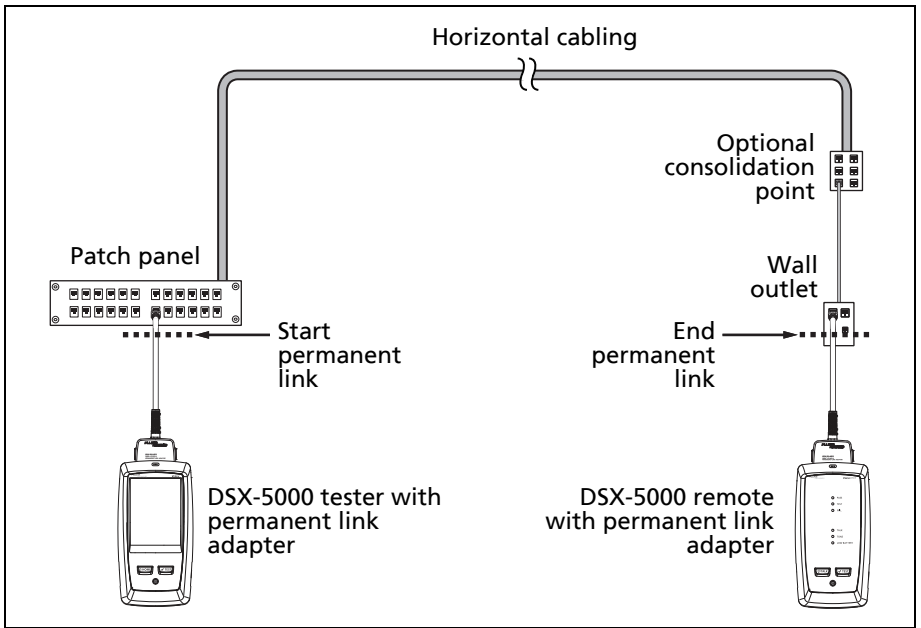
Maintenance and Service

Clean the adapters with a soft cloth that is moist with water or water and a mild soap. Do not use abrasives, solvents, or alcohol.

If an adapter does not operate correctly, look for damage to the connections in the adapter jack, plug, or socket. Make sure that the adapter is latched tightly to the tester. For permanent link adapters, look for damage to the adapters' cable.

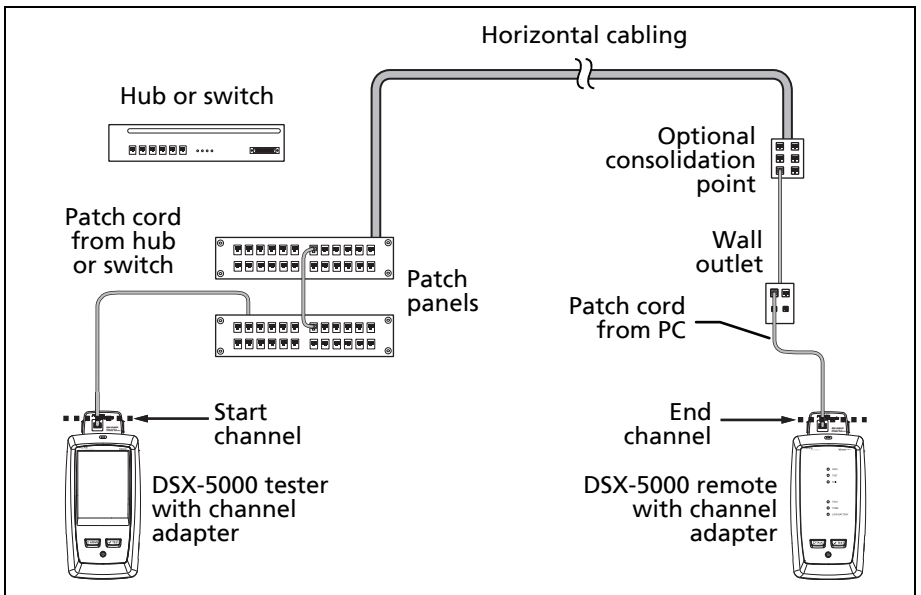
For service on the adapters, speak to a Fluke Networks representative for information on service centers.

For the most current test limits and features, keep your tester's software up to date. The latest version of software is available on the Fluke Networks website.



HFL01.EPS

Figure 3. Permanent Link Connections



HFL02.EPS

Figure 4. Channel Connections (DSX-CHA012 Channel Adapters shown)

Specifications

The Class F_A adapters comply with all measurement accuracy specifications for Level IV test equipment. For more information, visit the Fluke Networks website.

Life of adapter contacts (typical): >5,000 cycles

Dimensions (each adapter): 3.0 in x 2.1 in x 1.2 in (75 mm x 54 mm x 30 mm)

Permanent link adapter has a 5 ft (1.5 m) cable.

Weight (each adapter): Channel adapter: 2.4 oz (68 g)

Permanent link adapter: 11.7 oz (332 g)

Contact Fluke Networks



www.flukenetworks.com/support



support@flukenetworks.com



1-800-283-5853, +1-425-446-5500



Fluke Networks

6920 Seaway Boulevard, MS 143F

Everett WA 98203 USA

Fluke Networks operates in more than 50 countries worldwide. For more contact information, visit our website.

LIMITED WARRANTY AND LIMITATION OF LIABILITY

Fluke Networks mainframe products will be free from defects in material and workmanship for one year from the date of purchase, unless stated otherwise herein. Parts, accessories, product repairs and services are warranted for 90 days, unless otherwise stated. Ni-Cad, Ni-MH and Li-Ion batteries, cables or other peripherals are all considered parts or accessories. This warranty does not cover damage from accident, neglect, misuse, alteration, contamination, or abnormal conditions of operation or handling. Resellers are not authorized to extend any other warranty on Fluke Networks' behalf. To obtain service during the warranty period, contact your nearest Fluke Networks authorized service center to obtain return authorization information, then send your defective product to that Service Center with a description of the problem.

For a list of authorized resellers, visit www.flukenetworks.com/wheretobuy.

THIS WARRANTY IS YOUR ONLY REMEDY. NO OTHER WARRANTIES, SUCH AS FITNESS FOR A PARTICULAR PURPOSE, ARE EXPRESSED OR IMPLIED. FLUKE NETWORKS IS NOT LIABLE FOR ANY SPECIAL, INDIRECT, INCIDENTAL OR CONSEQUENTIAL DAMAGES OR LOSSES, ARISING FROM ANY CAUSE OR THEORY. Since some states or countries do not allow the exclusion or limitation of an implied warranty or of incidental or consequential damages, this limitation of liability may not apply to you.

4/15

Fluke Networks
PO Box 777
Everett, WA 98206-0777
USA