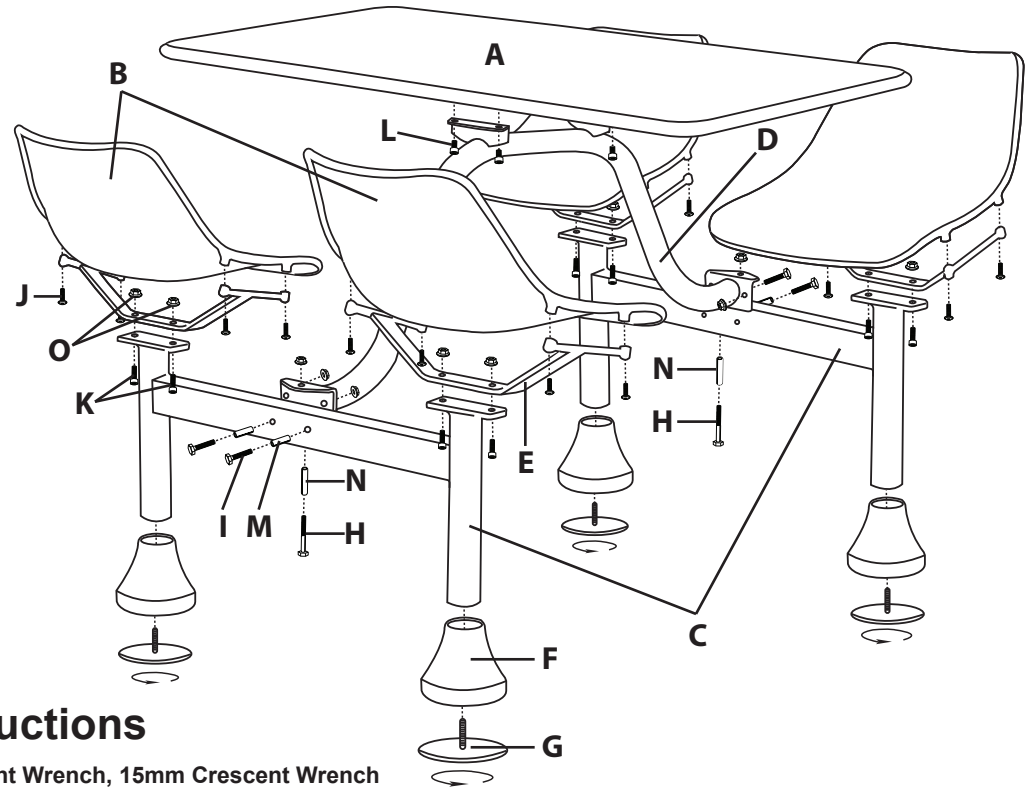
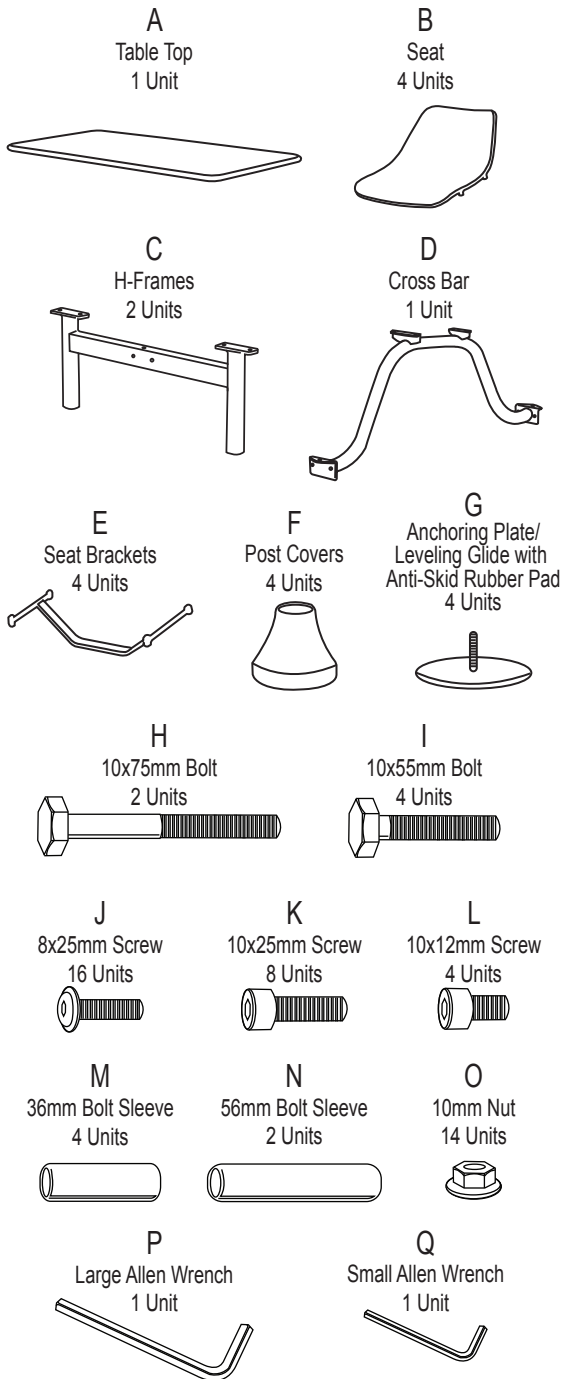


# Models: 1002 / 1003 / 1004 / 1005 Group/Cluster Tables

## Parts Listing



## Assembly Instructions



**Tools Needed: 18mm Crescent Wrench, 15mm Crescent Wrench**  
*Please read all instructions before assembly.*

**Step 1:** Slide Post Covers (F) onto legs of H-Frames (C) as shown.

**Step 2:** Screw Anchoring Plates/Leveling Glides (G) into the bottom of legs of the H-Frames (C).

**Step 3:** Align holes in H-Frames (C) with corresponding holes in the Cross Bar (D). Insert 10x75mm Bolt (H) through 56mm Bolt Sleeve (N) and into aligned holes in H-frames (C) and Cross Bar (D). Secure with 10mm Nut (O). Insert 10x55mm Bolt (I) through 36mm Bolt Sleeve (M) and into the aligned holes in the H-Frames (C) and Cross Bar (D) as shown. Secure with 10mm Nut (O) using wrench.

**Step 4:** Align Seat Brackets (E) with H-Frames (C) and attach with 10x25mm Screw (K) and 10mm Nut (O) using Large Allen Wrench (P) that is provided.

**Step 5:** Align Seats (D) with Seat Brackets (E) and attach with 8x25mm Screw (J) using Small Allen Wrench (Q).

**Step 6:** Align Table Top (A) with Cross Bar (D) and attach with 10x12mm Screw (L) using Large Allen Wrench (P).

### Assembly Notes:

During assembly, hand tighten screws only. When all screws are in place, you may then tighten all screws completely.

### CAUTION:

1. Do not use this chair or table as a step ladder.
2. Check for loose screws and tighten them every 6 months.

**ofm**  
Furniture For The Real Office™

161 Tradition Trail  
Holly Springs, NC, 27540  
800-520-7471 (voice)  
919-303-6389 (voice)  
919-362-4765 (fax)  
www.ofmfurniture.com  
support@ofminc.com