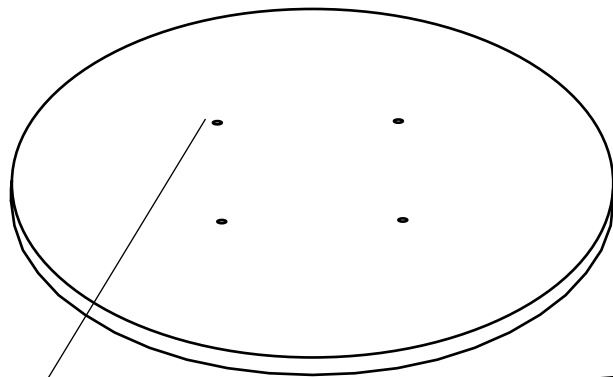
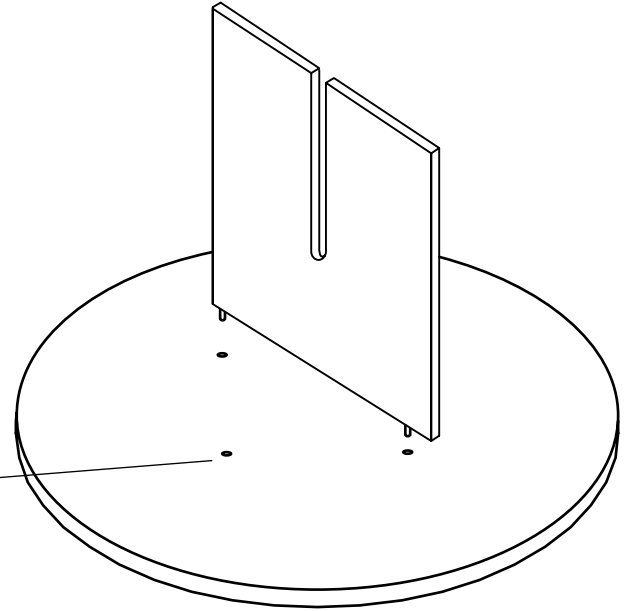


Top

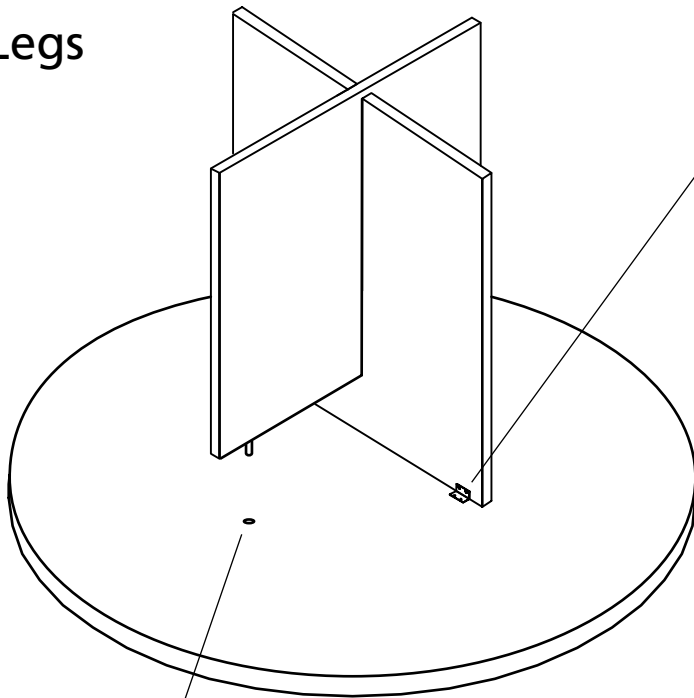


Holes for dowels

Legs



Legs



Holes for dowels

L-Bracket

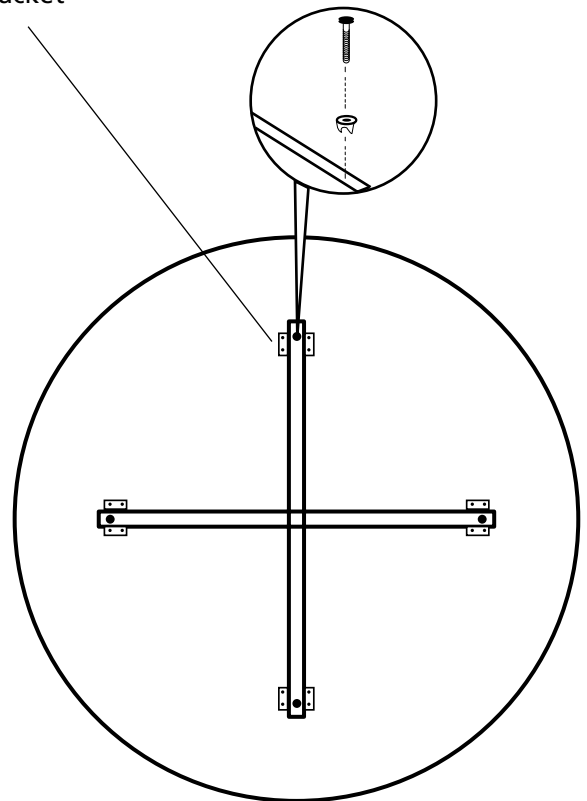
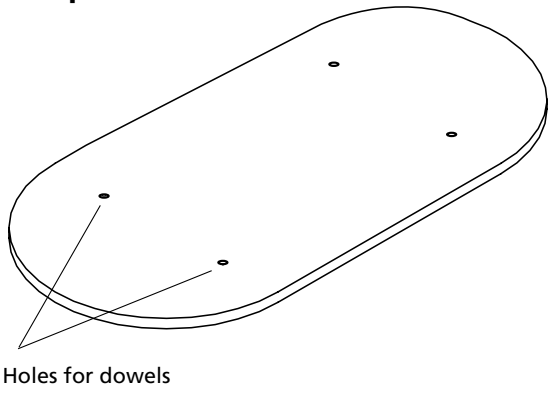
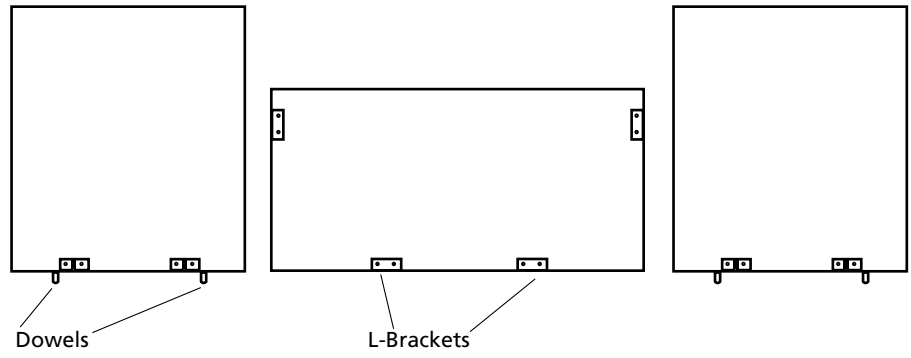


Table Bottom View

Top (Flat view)



Legs (Flat view)



Leg Assembly

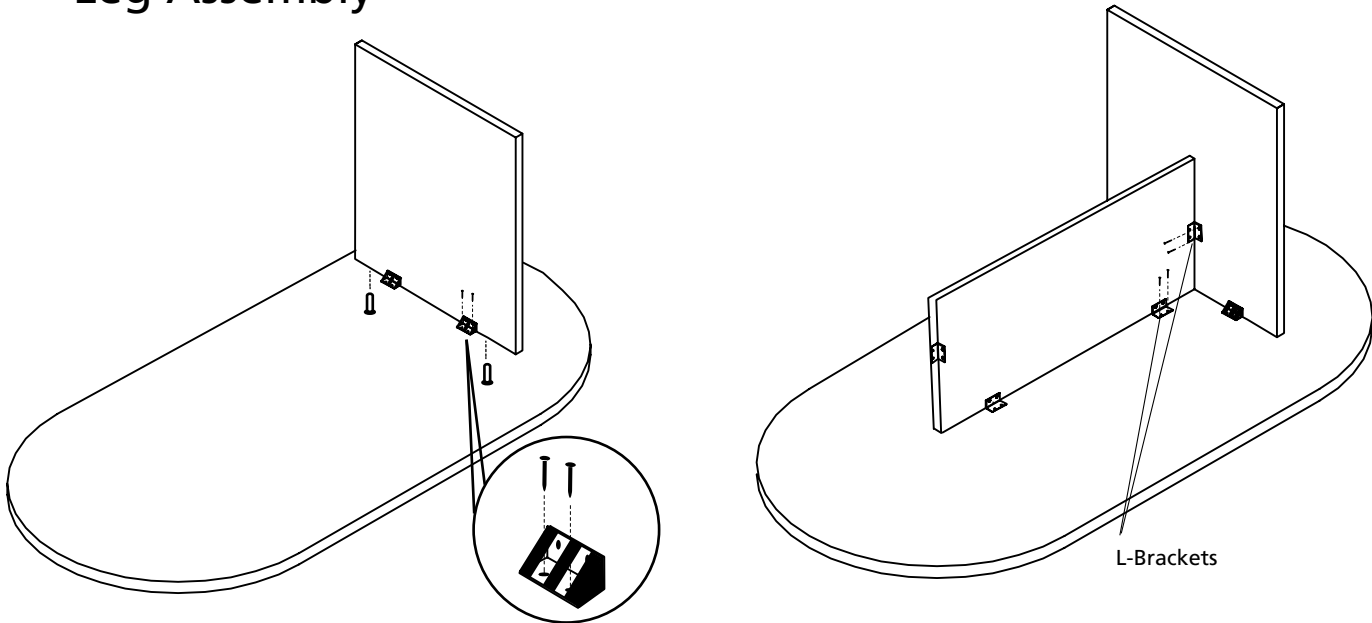


Table Bottom View

