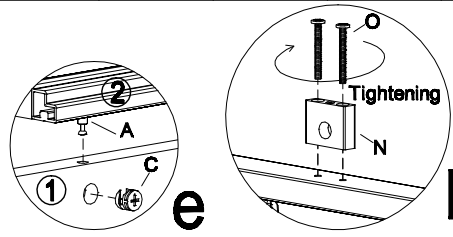


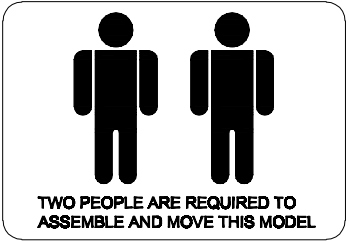
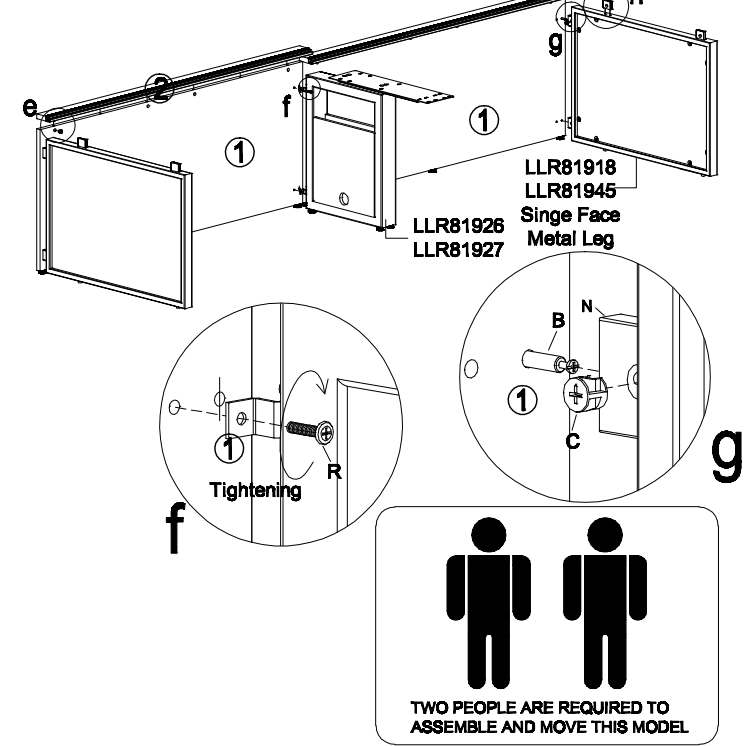
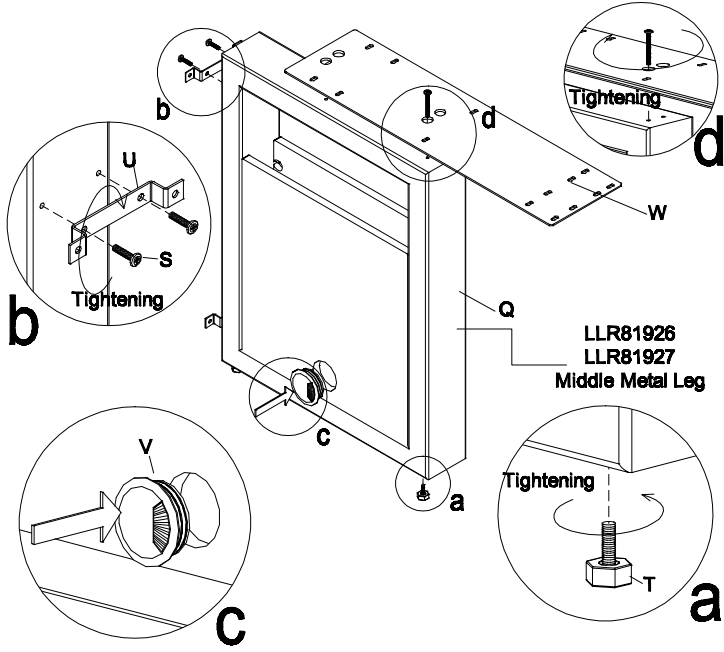
**MODELNO.:LLR81910/LLR81911/LLR81912/LLR81913 Single Face Desk Top
LLR81918/LLR81945 Single Face Metal Leg LLR81926/LLR81927 Single Face Middle Metal Leg**

LLR81910 LLR81911 Single Face Desk Top 72"	A Cam Lock 32mm 12PCS	B Cam Lock 25mm 14PCS	C Kix Cam 26PCS	D Dowel 2PCS	E Adjustable Glide M8 3PCS	F Silver Metal Frame 1800*60*25 2PC	G Aluminum Supports 60*16*40 6PCS	H Screw M6*50mm 12PCS	I Screw M6*40mm 4PCS	J Silver Cap 214*31*20 2PCS	K Cam Cover 12PCS	L 60mm Black Grommet 2 Pcs
LLR81912 LLR81913 Single Face Desk Top 65"	A Cam Lock 32mm 12PCS	B Cam Lock 25mm 14PCS	C Kix Cam 26PCS	D Dowel 2PCS	E Adjustable Glide M8 3PCS	F Silver Metal Frame 1400*50*25 2PC	G Aluminum Supports 60*16*40 6PCS	H Screw M6*50mm 12PCS	I Screw M6*40mm 4PCS	J Silver Cap 214*31*20 2PCS	K Cam Cover 12PCS	L 60mm Black Grommet 2 Pcs
LLR81918 LLR81945 Single Face Metal Leg	M Single Face Metal Leg 1PC	N Aluminum Supports 50*15*40 4PCS	O Screw M6*45mm 8PCS	P Adjustable Glide M6 2PCS								
LLR81926 LLR81927 Single Face Middle Metal Leg	Q Single Face Middle Metal Leg 1PC	R Screw M6*20mm 18PCS	S Screw M6*10mm 8PCS	T Adjustable Glide M6 4PCS	U Silver Connect Bracket 2PCS	V 60mm Black Grommet 2 Pcs	W Metal Flat Plate 1PC					



STEP 1-Install Middle Metal Leg

STEP 2-Install Modesty Panel to Metal Leg



STEP 3- Install Metal Frame to underneath of Desk Top

STEP 4- Install Top to Modesty panel +Metal Leg

