

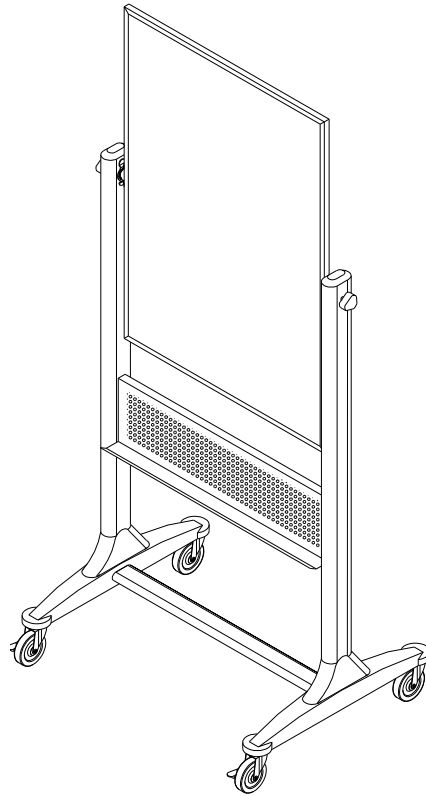
**BEST-RITE®**

Since 1950

*“It’s A Better Board”*

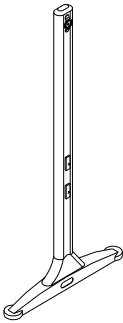
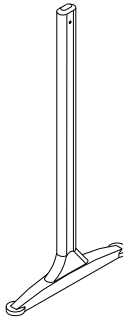
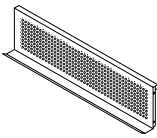
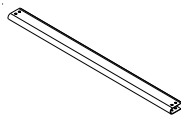
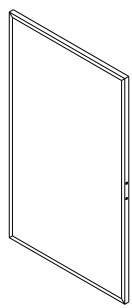
## Platinum Reversible

669RU and 669RG

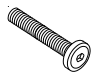






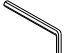



**Assembly Instructions**

# Platinum Reversible

Part	Drawing	Description	Qty
P-1		Right Leg	1 EA
P-2		Left Leg	1 EA
P-3		Tray	1 EA
P-4		Cross Bar	1 EA
P-5		Framed Board	1 EA

**Hardware List**

A		Long Socket Screw	4 EA
B		Short Socket Screw	4 EA
C		Flange	2 EA
D		Knob	2 EA
E		4" Locking Caster	4 EA
F		Rubber Bumper	2 EA
G		1" Machine Screw	2 EA
H		Allen Wrench	1 EA
I		Caster Wrench	1 EA

***Should you require assistance during assembly, please call our Customer Service Department Monday - Friday 8 a.m. - 5 p.m. Central Standard Time Toll-Free Customer Service***

**1-800-749-2258**

# Platinum Reversible Assembly Diagram

**READ THROUGH INSTRUCTIONS FROM BEGINNING TO END BEFORE STARTING TO ASSEMBLE UNIT.**

1. To Assemble:

Identify and Separate all the Parts and Hardware.

2. Install Cross bar (P-4) to the Legs (P-1) and (P-2) by using Long Socket Screws (A). Tighten with Allen Wrench (H). See illustration # 1.

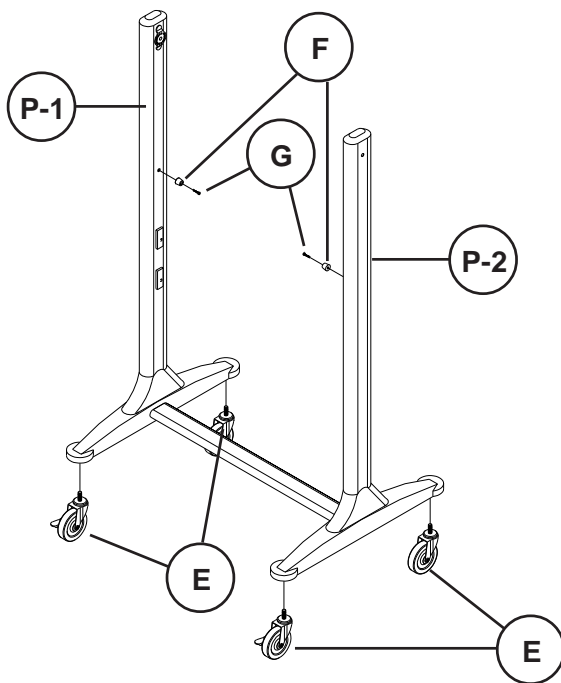
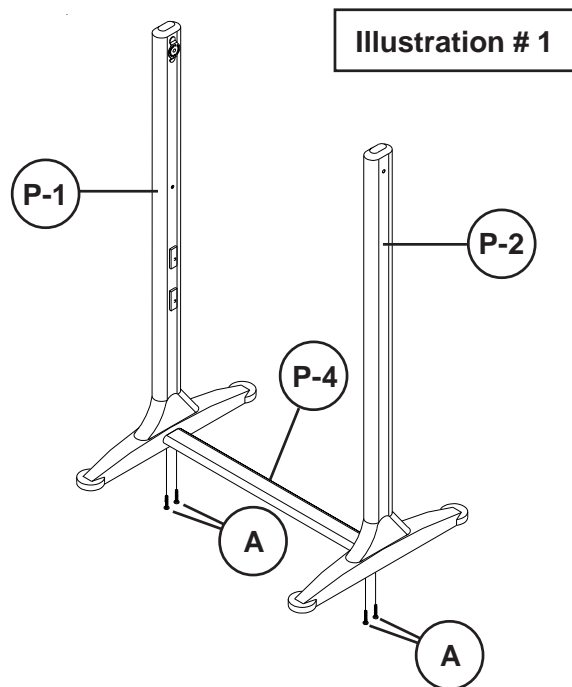


Illustration # 2

3. Insert Locking Casters (E) to the bottom of each Legs (P-1) and (P-2) and tighten using Caster Wrench (I). See illustration #2. Also assemble Rubber Bumper (F) using 1" Machine Screw (G) and tighten with Allen Wrench (H) as shown in illustration # 2a.

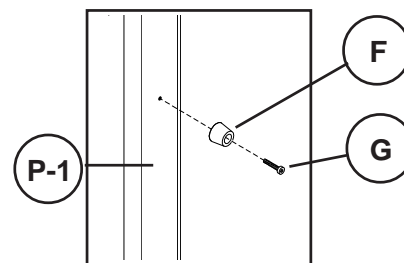
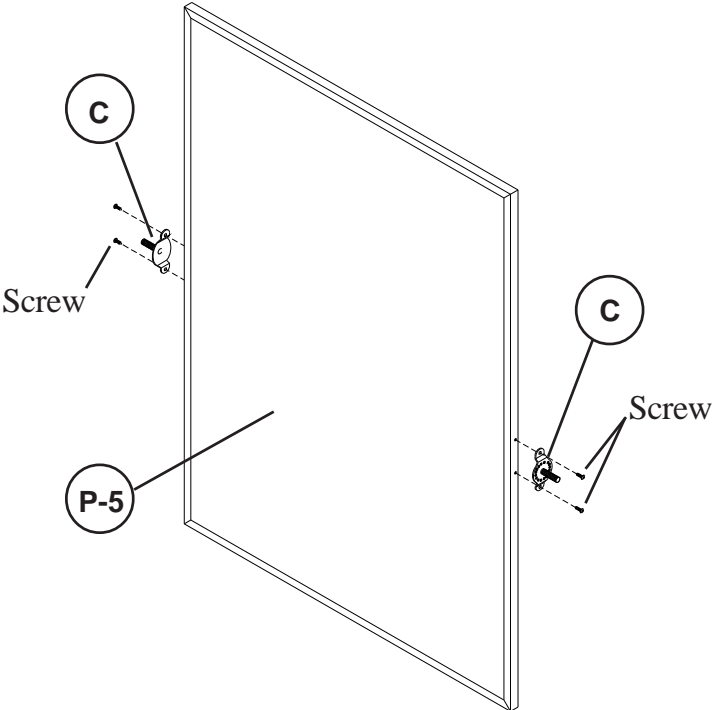
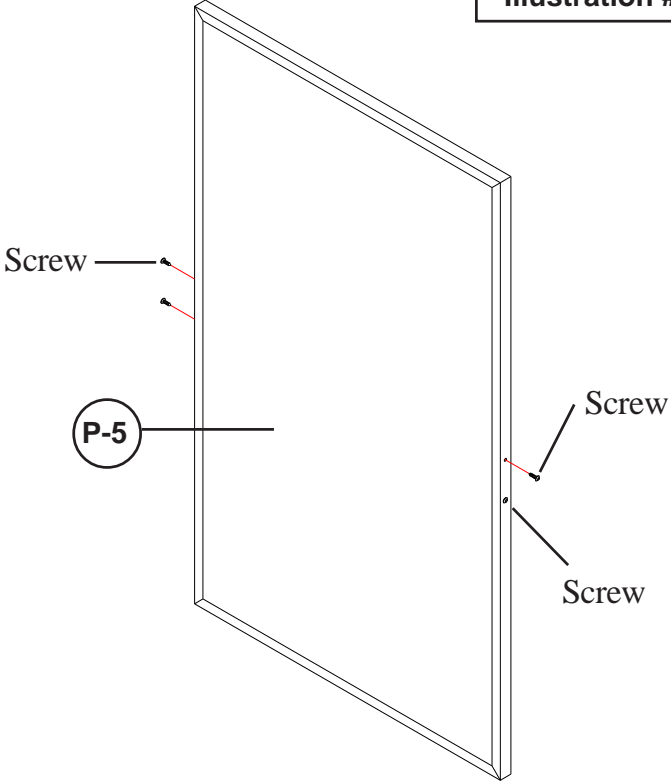


Illustration # 2a

**Missing Parts or UPS Damaged Parts**  
For Your Convenience you can  
EMAIL us at  
***boards@bestrite.com***  
24HOURS 7 DAYS A WEEK

**Illustration # 3**

4. Detach 2 screws from each side of Framed Board (P-5) with Phillips Screwdriver as shown in illustration # 3.



**Illustration # 4**

5. Install Flange (C) on each side of the board by using the same 4 screws from step 5 and tighten with Phillips Screwdriver. See illustration # 4.

Do not use unless all screws are tight. At least every six months, check all screws to be sure they are tight. If parts are missing, broken, damaged, or worn, stop use of the product until repairs are made by your dealer using factory authorized parts.

# Platinum Reversible

6. Separate the Legs (P-1) and (P-2) slightly in order to insert the Flange (C) bolts on sides of Framed Board (P-5) through the flange hole on each leg. Fasten the Knobs (D) to secure the board in place. See illustration # 5.

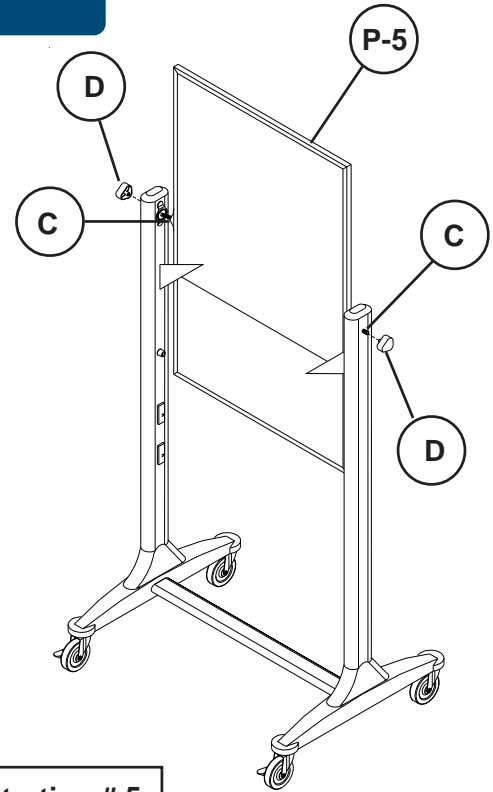


Illustration # 5

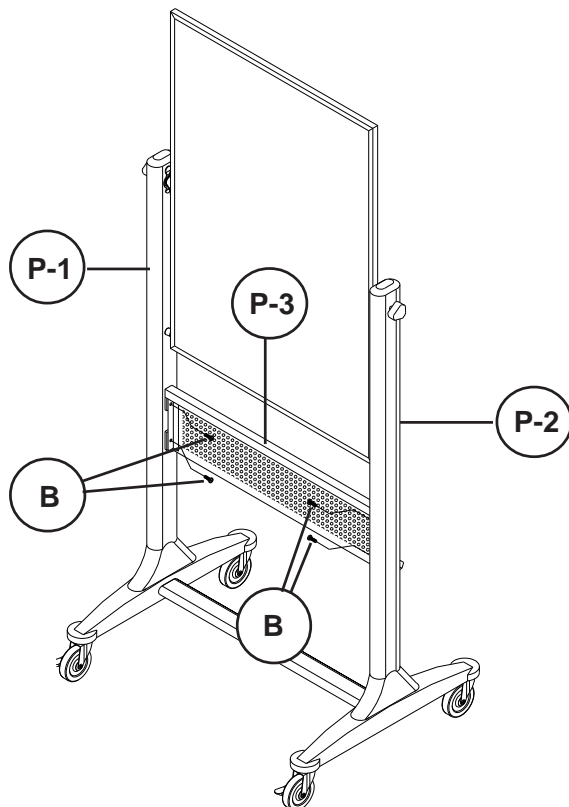


Illustration # 6

7. Assemble Tray (P-3) to the Legs (P-1) and (P-2) with using Short Socket Screws (B) and tighten with Allen Wrench (H). See illustration # 6.