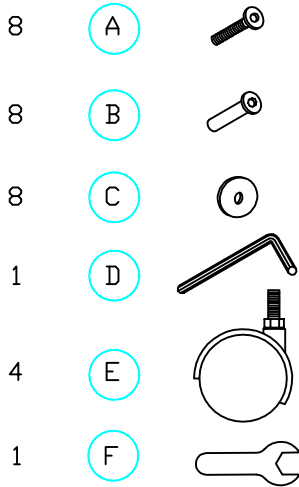


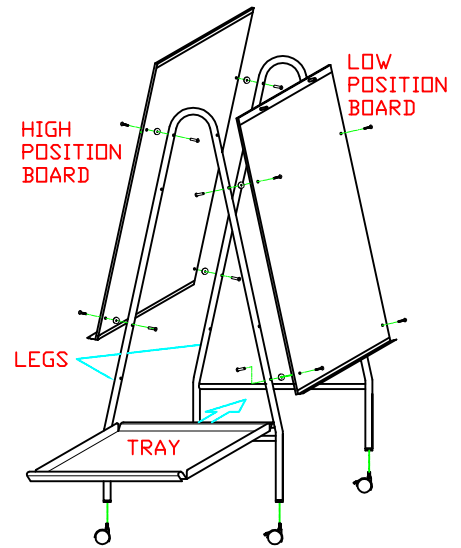
QTY SYM.



WHEASEL ASSEMBLY INSTRUCTIONS

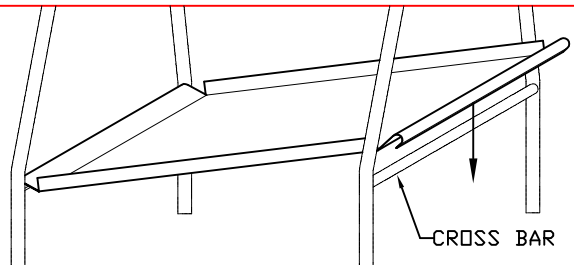
NOTE:

TWO PEOPLE REQUIRED
TO ASSEMBLE THIS EASEL.



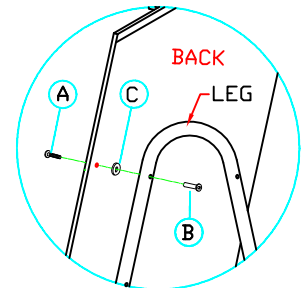
STEP ONE

- WHILE ONE PERSON HOLDS BOTH LEGS IN A VERTICAL POSITION, PLACE THE TRAY OVER THE CROSS BARS.
- SPREAD THE LEGS FAR ENOUGH APART TO SNAP THE TRAY IN PLACE.



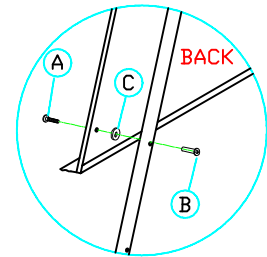
STEP TWO

- INSERT BOLT (A) IN TOP HOLES OF ONE OF THE BOARDS.
- PLACE FLAT WASHERS (C) ON BOLT (A) FROM THE BACK.
- AT THIS POINT YOUR PARTNER IS HOLDING THE LEGS.
- HANG THE BOARD FROM BOLTS THROUGH TOP HOLES IN LEGS FOR HIGH POSITION, OR NEXT HOLE LOWER FOR LOWER POSITION.
- FASTEN THE BOLTS (A) TO THE LEGS USING INSERT NUTS (B), AND TIGHTEN WITH ALLEN WRENCH (D).



STEP THREE

- INSERT BOLT (A) IN BOTTOM HOLES OF THE BOARD.
- PLACE FLAT WASHERS (C) ON BOLT (A) FROM THE BACK.
- FASTEN BOLTS TO THE LEGS USING INSERT NUTS (B) AND TIGHTEN WITH ALLEN WRENCH (D).
- AT THIS POINT, YOUR PARTNER CAN RELEASE THE LEGS.



STEP FOUR

- FOLLOW STEPS TWO AND THREE TO INSTALL THE OTHER SIDE OF EASEL

STEP FIVE

- LAY THE EASEL ON ITS SIDE.
- INSERT CASTERS (E) USING WRENCH (F) FOR TIGHTENING.

