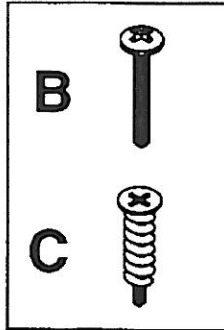
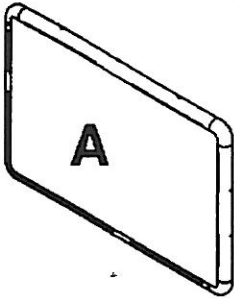




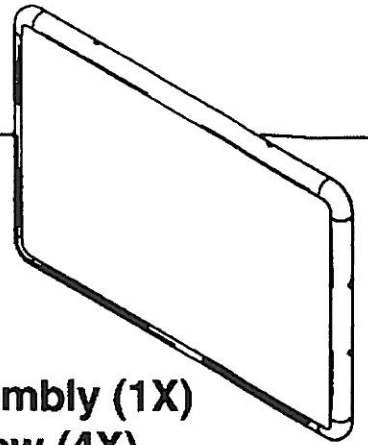
# Fabric Bulletin/Tack Board

35031 35037 35041 35047 35061 35067

## ICEBERG

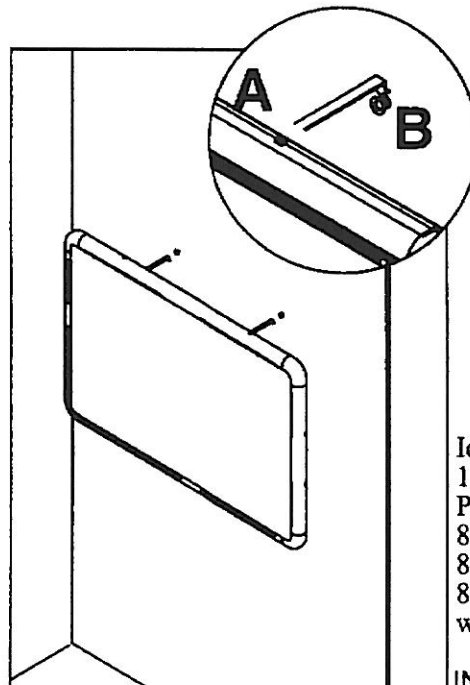
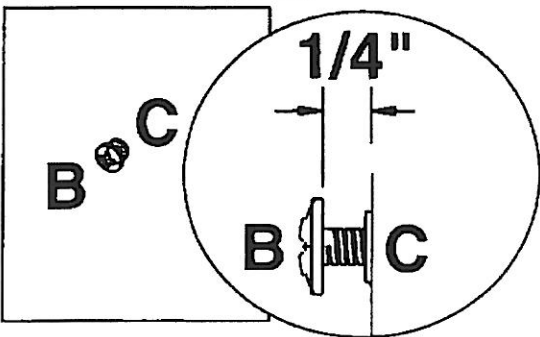
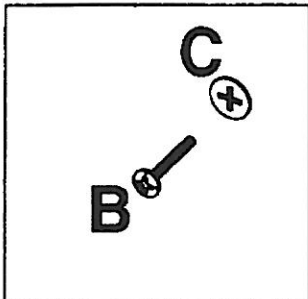
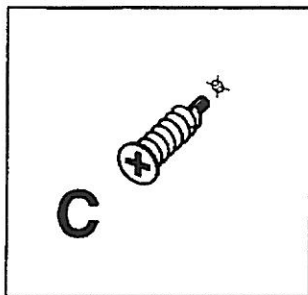
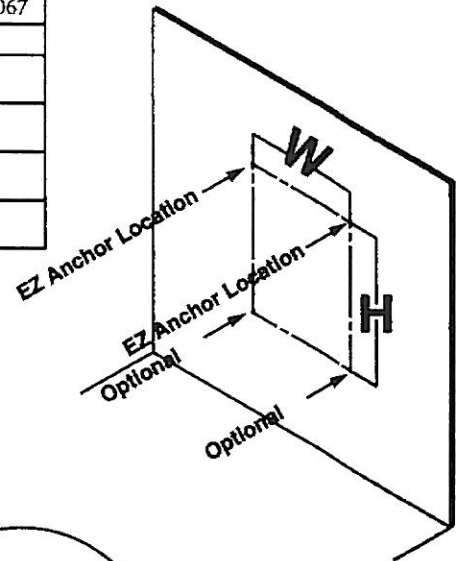


**A Board Sub-Assembly (1X)**  
**B Sheet Metal Screw (4X)**  
**C EZ Anchor (4X)**



Iceberg Boards Wall Mount Location Chart

Part Number Size	Center-to-Center Drilled Locations		35031/35037	35041/35047	35061/35067
			36X24	48X36	66X42
Mount Orientation	Horizontal	W	16	32	48
		H (Optional)	20.75	32.75	38.75
	Vertical	W	16	16	32
		H (Optional)	32.75	44.75	62.75



Iceberg Enterprises, LLC  
 1300 W Higgins Rd Suite 111  
 Park Ridge, IL 60068  
 800 580 1310  
 847 685 9500 (V)  
 847 685 9551 (F)  
[www.icebergenterprises.com](http://www.icebergenterprises.com)

INS600157 A0