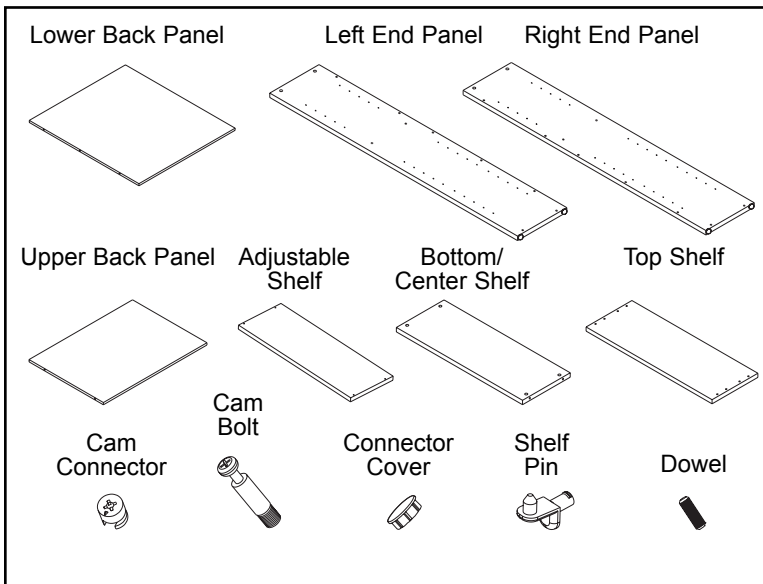


BOOKCASE

INSTALLATION INSTRUCTIONS

Illustration 1



Read all instructions and review illustrations before installing.

Tools required for assembly:

Phillips screwdriver	Level
Tape measure	Rubber mallet

This assembly includes:

(1) Lower back panel	(1) Upper back panel
(1) Left end panel	(1) Right end panel
(1) Top shelf	(3) Adjustable shelf
(22) Cam bolt	(2) Bottom/center shelf
(12) Shelf pin	(22) Cam connector
(4) Dowel	(4) Connector cover

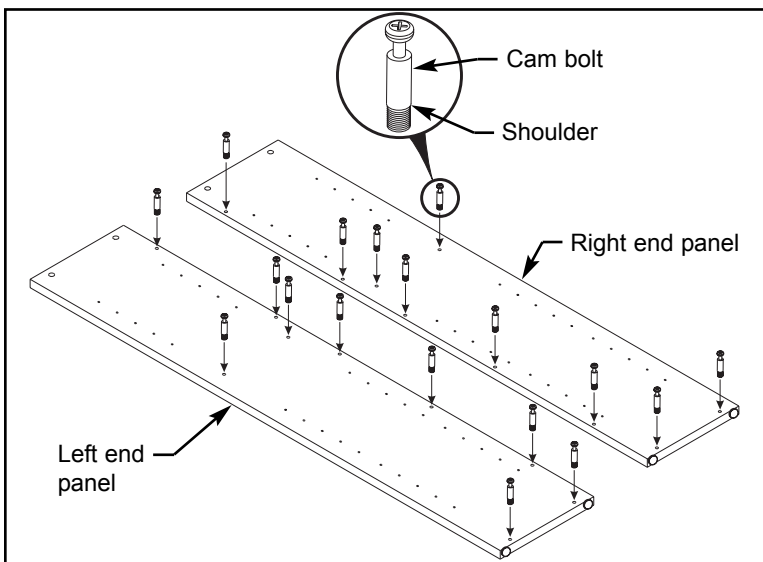
WARNING

Wood products are heavier than they appear and may be hard to control when moving. Use two or more people when moving wood products or severe personal injury may result.

Heavy panels can pinch or crush fingers. Do not place fingers between or under panels during assembly.

To prevent the possibility of serious eye injury, always wear eye protection when hammering.

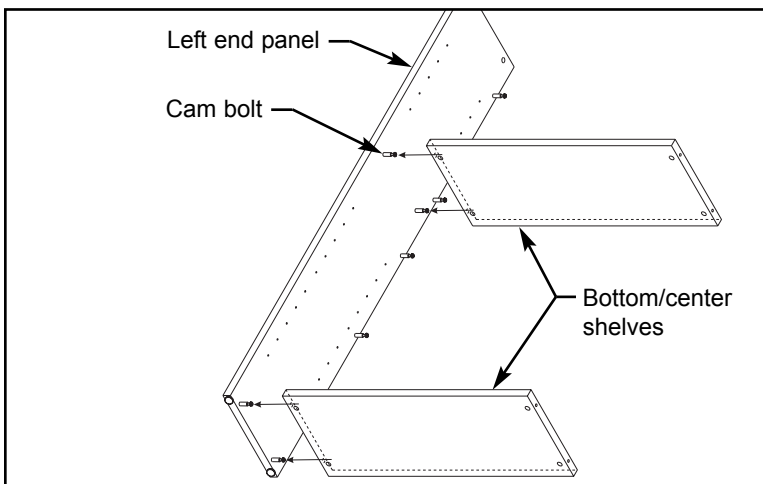
Illustration 2



Bookcase Assembly:

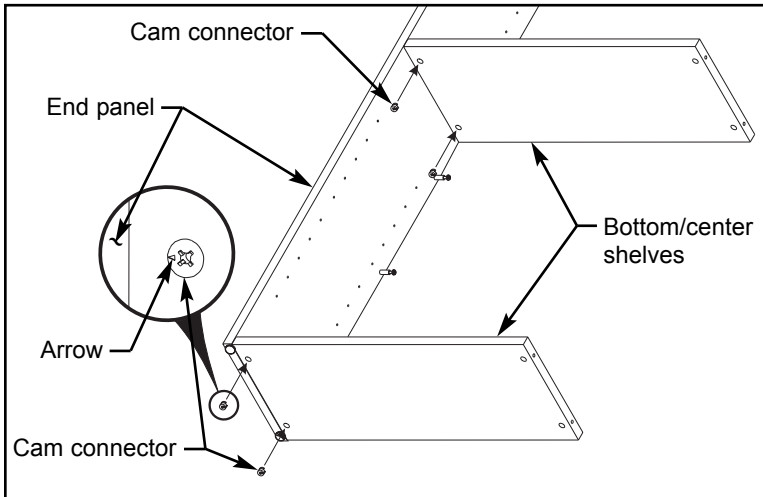
1. Refer to Illustration 2. Lay end panels, with holes up, on cardboard or a carpeted surface.
2. Use the Phillips screwdriver to install cam bolts (from hardware pack) into locations shown. Tighten cam bolts until cam bolt shoulder is flush against threaded insert. Do not over-tighten cam bolts or damage to threaded inserts will occur.
3. Refer to Illustration 3. On left end panel, install bottom shelf and center shelf by inserting ends of cam bolts (attached to left end panel) into holes drilled into sides of shelves. Ensure bottom and center shelf cam connector holes face towards bottom of bookcase. Insert cam bolts as far as possible.

Illustration 3



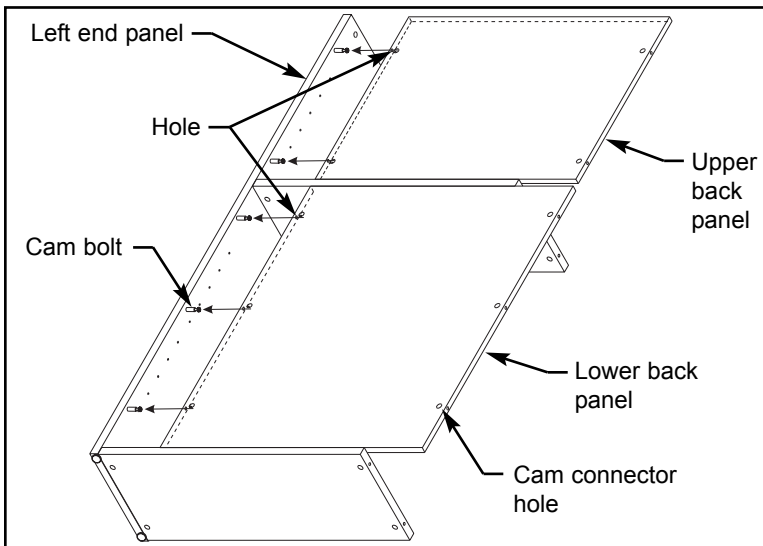
BOOKCASE

Illustration 4



4. Refer to Illustration 4. With the arrows facing end panel, install cam connectors (from hardware pack) into holes along left side of both shelves. Use the Phillips screwdriver to tighten cam connectors. Turn cam connectors clockwise to tighten ($\frac{1}{4}$ to $\frac{1}{2}$ turn).

Illustration 5

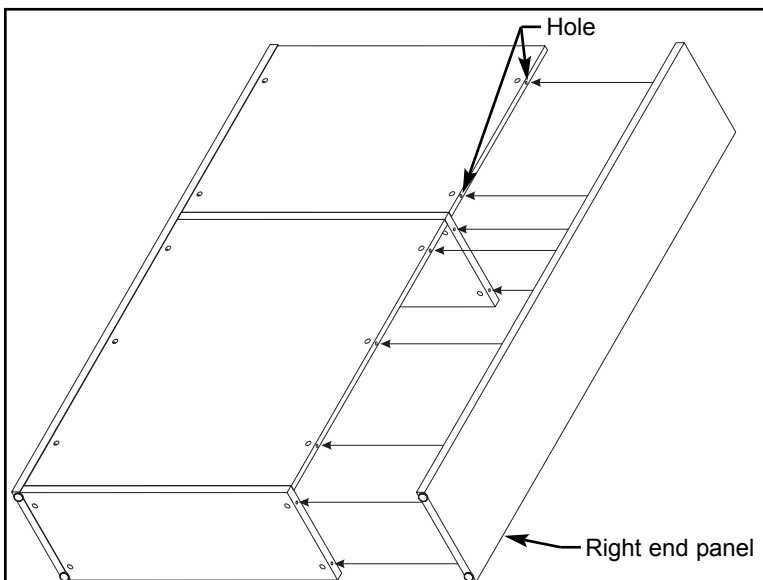


5. Refer to Illustration 5. On left end panel, install upper and lower back panels by inserting ends of cam bolts (attached to left end panel) into holes drilled into side of back panels. Ensure back panel cam connector holes face towards rear of bookcase. Insert cam bolts as far as possible.

IMPORTANT

Ensure back panels are well supported until completion of Step 6.

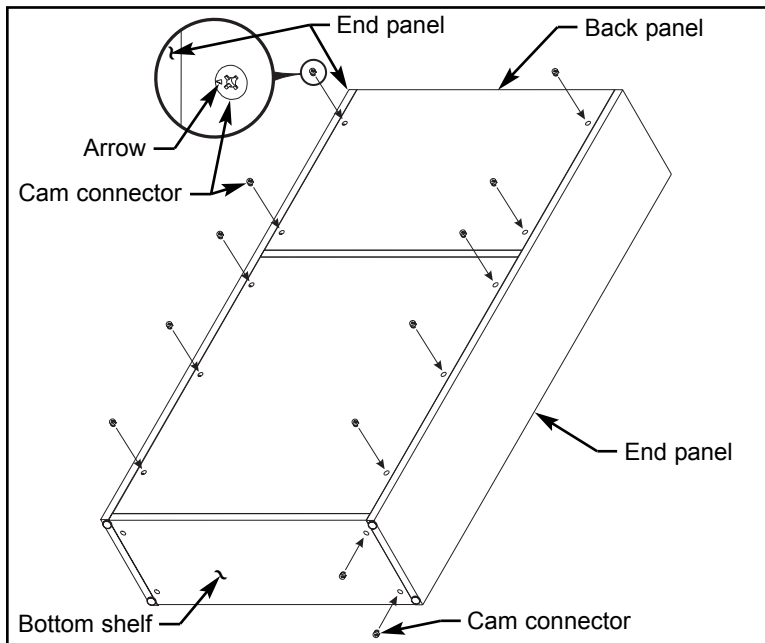
Illustration 6



6. Refer to Illustration 6. Install right end panel by inserting ends of cam bolts (attached to end panel) into holes drilled into sides of back panels and shelves. Insert cam bolts as far as possible.

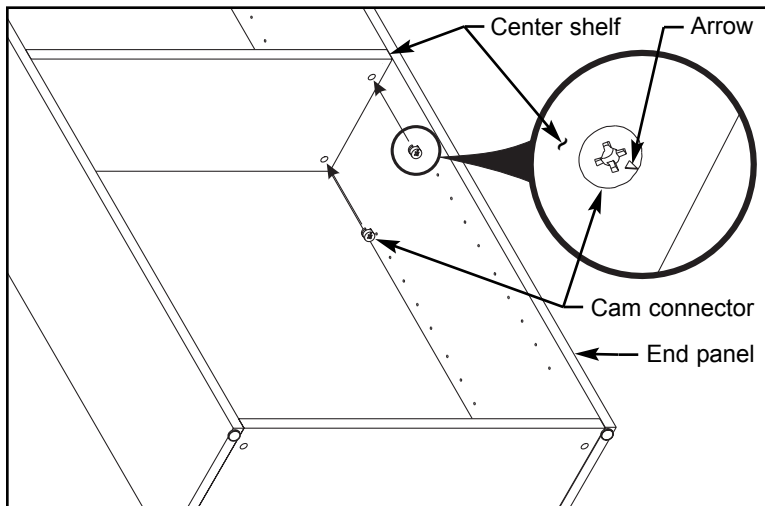
BOOKCASE

Illustration 7



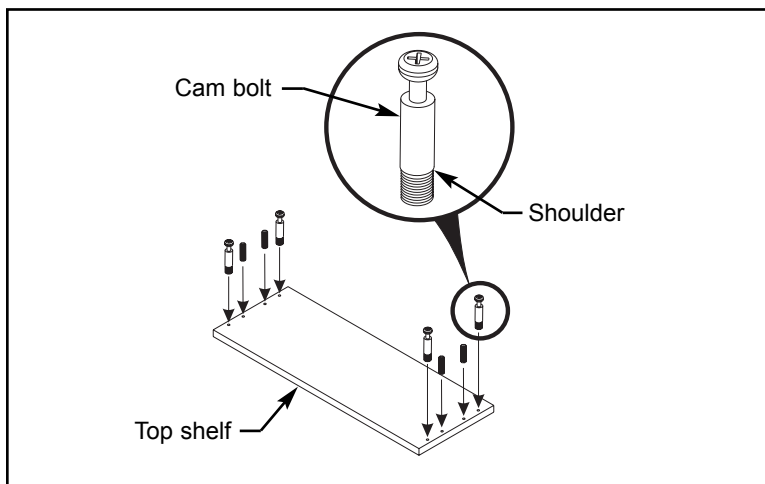
7. Refer to Illustration 7. With the arrows facing end panels, install cam connectors (from hardware pack) into holes along each side of both back panels and remaining holes in bottom shelf. Use the Phillips screwdriver to tighten cam connectors. Turn cam connectors clockwise to tighten ($1/4$ to $1/2$ turn).

Illustration 8



8. Refer to Illustration 8. With the arrows facing end panel, install cam connectors (from hardware pack) into holes along right side of center shelf. Use the Phillips screwdriver to tighten cam connectors. Turn cam connectors clockwise to tighten ($1/4$ to $1/2$ turn).

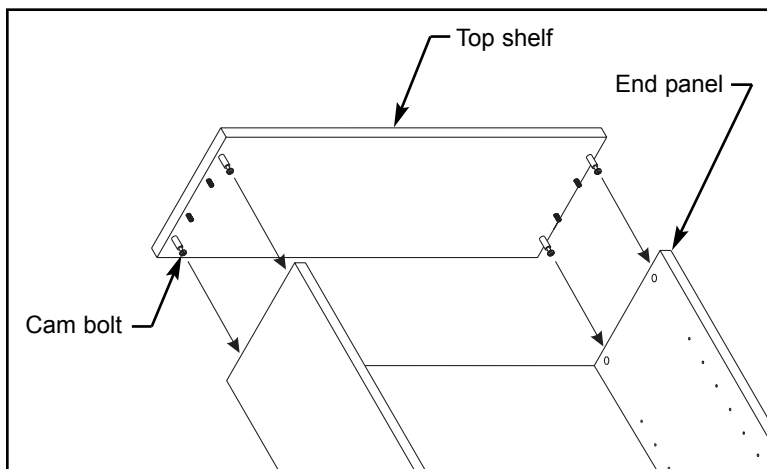
Illustration 9



9. Refer to Illustration 9. Lay top, with holes up, on cardboard or a carpeted surface. Use the Phillips screwdriver to install cam bolts (from hardware pack) into top at the locations shown. Tighten cam bolts until cam bolt shoulder is flush against threaded insert. Do not over-tighten cam bolts or damage to threaded inserts will occur. Use rubber mallet to install four dowels (from hardware pack) into top shelf at locations shown.

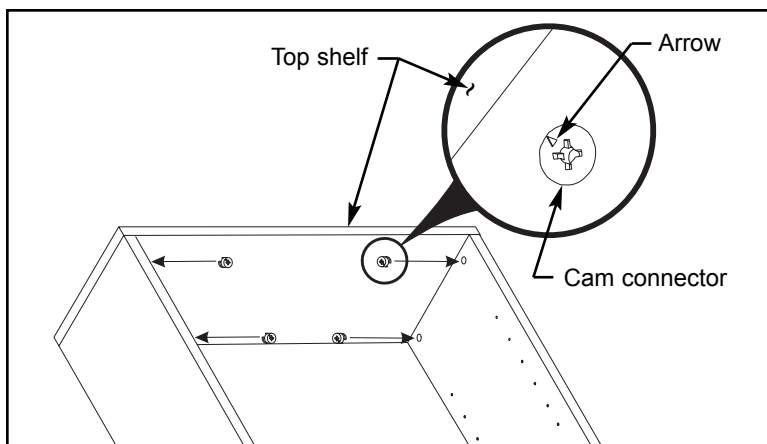
BOOKCASE

Illustration 10



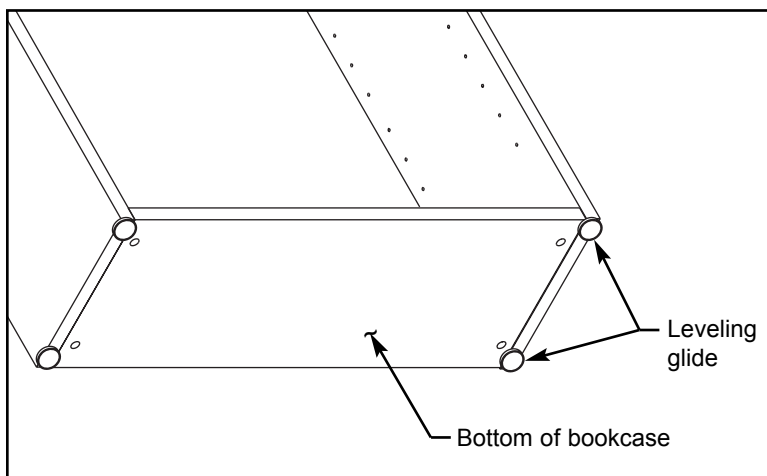
10. Refer to Illustration 10. Install top shelf by inserting ends of cam bolts (attached to top shelf) into holes drilled into top of end panels. Insert cam bolts as far as possible.

Illustration 11



11. Refer to Illustration 11. With arrow facing top shelf, install cam connectors (from hardware pack) into holes along upper edge of end panels as shown. Use the Phillips screwdriver to tighten cam connectors. Turn cam connectors clockwise to tighten ($\frac{1}{4}$ to $\frac{1}{2}$ turn).

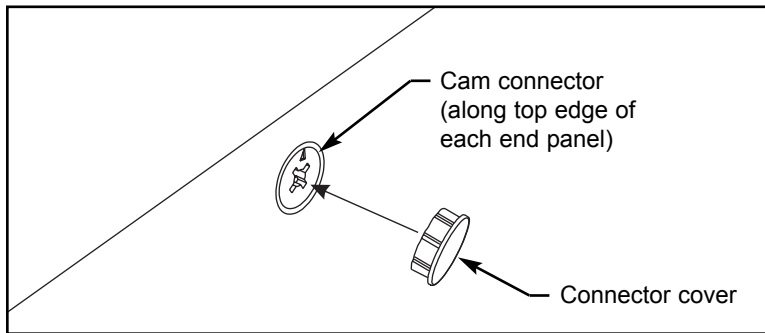
Illustration 12



12. Refer to Illustration 12. Use two or more people to set bookcase upright and position bookcase where it will be used. Adjust leveling glides until bookcase is level from side-to-side and the front of bookcase is $\frac{1}{8}$ " higher than the rear.

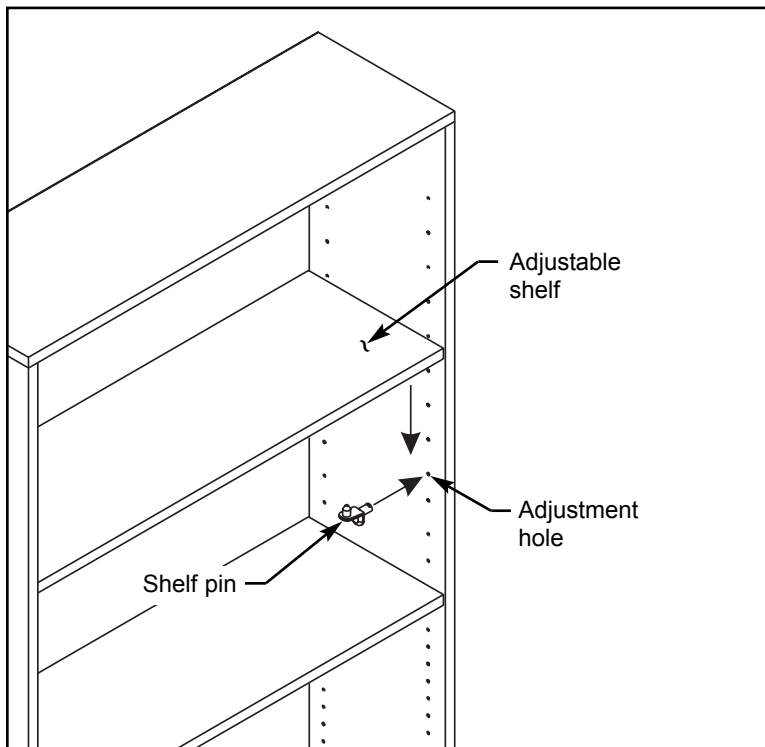
BOOKCASE

Illustration 13



13. Refer to Illustration 13. Install connector covers (from hardware pack) onto cam connectors along upper edge of each end panel.

Illustration 14



14. Refer to Illustration 14. Locate shelf adjustment holes in interior walls of bookcase. Install shelf pins (from hardware pack), at the desired shelf location, into shelf adjustment holes. Install four pins for each adjustable shelf and ensure pins are installed at the same height.

With holes down, position adjustable shelves onto shelf pins. Ensure shelf pins are seated into holes in bottom of adjustable shelves.