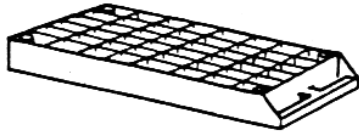
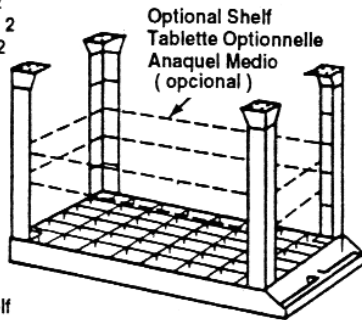


Top Shelf
Tablette Supérieure
Del Anaquel Superior



STEP 1
ÉTAPE 1
PASO 1

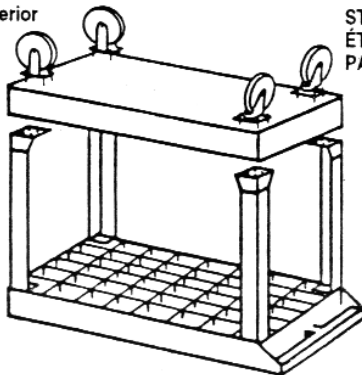
STEP 2
ÉTAPE 2
PASO 2



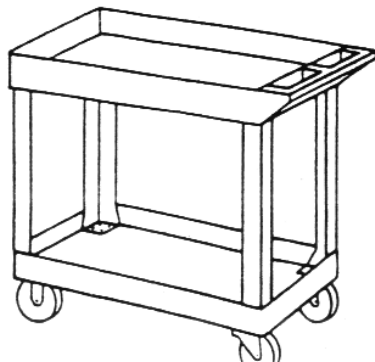
Optional Shelf
Tablette Optionnelle
Anaquel Medio
(opcional)

Bottom Shelf
Tablette Inférieure
Anaquel Inferior

STEP 3
ÉTAPE 3
PASO 3



STEP 4
ÉTAPE 4
PASO 4



5805

UTILITY CART ASSEMBLY

INSTRUCTIONS Model No. 5800 / 5805

Optional Middle Shelf Model No. 5801 / 5806

TOOLS NEEDED: Screw Driver, Adjustable Wrench, Mallet, Ratchet with 1/2" Socket

ASSEMBLY INSTRUCTIONS

- STEP 1** Place top shelf on floor with bottom of shell facing upward.
- STEP 2** Insert four legs into sockets on the top shelf, lightly tap with a mallet until legs are fully inserted. Secure legs to top shelf with provided self tapping screws. Align the screws with the single hole in each leg and holes in the top shelf; tighten screws. If (optional) middle shelf is not used, lay unit on its side and proceed to Step 3. If (optional) middle shelf is used, locate two legs as described above, insert middle shelf between triangular shaped locators on legs and set unit on its side prior to adding additional two legs; tap legs into place with mallet.
- STEP 3** Locate legs into recesses on bottom shelf.
- STEP 4** Mount casters; insert bolts from top side of bottom shelf. It is recommended that the swivel casters be placed at the handle end of top shelf. Tighten lock nuts until they seat against caster plates. Unit is then ready for use.

NOTE: Weight capacity is 200 pounds for each shelf - 400 pounds total.

PARTS LIST

PART NO. FOR MODELS 5800/5801	DESCRIPTION	PART NO. FOR MODELS 5805/5806	QUANTITY
40171420	Grey Top Shelf	40171440	1
40171430	Beige Top Shelf	40171450	1
40171424	Grey Bottom Shelf	40171445	1
40171432	Beige Bottom Shelf	40171455	1
40171427	Grey Leg A	40171427	2
40171428	Grey Leg B	40171428	2
40171436	Beige Leg A	40171436	2
40171438	Beige Leg B	40171438	2
40378120	Caster/Hardware Pack:	40378120	1
40211305	5" Rigid Caster	40211305	2
40211310	5" Swivel Caster	40211310	2
40261800	Hardware Pack:	40261800	1
	5/16" Truss Head Bolt		16
	5/16" Lock Nut		16
	1/4" Self Tapping Screw		4
21111135	Grey Mid. Shelf (opt.)	21111160	1
21111132	Beige Mid. Shelf (opt.)	21111165	1