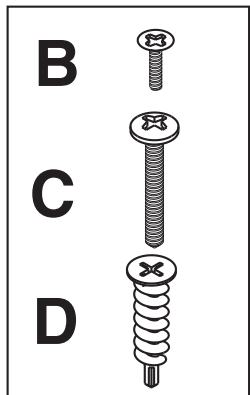
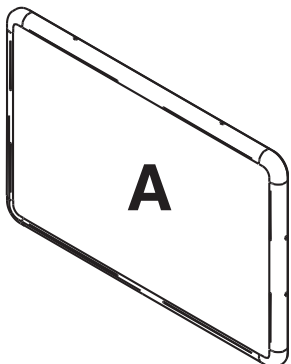




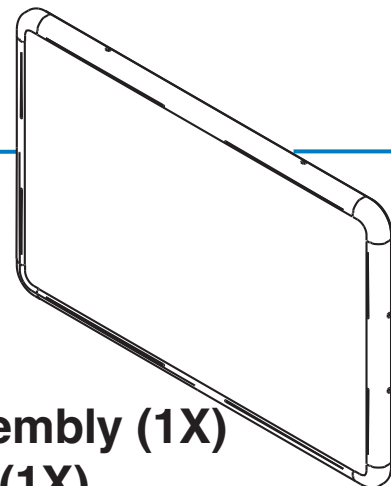
Dry Erase Board

37037 37047 37067

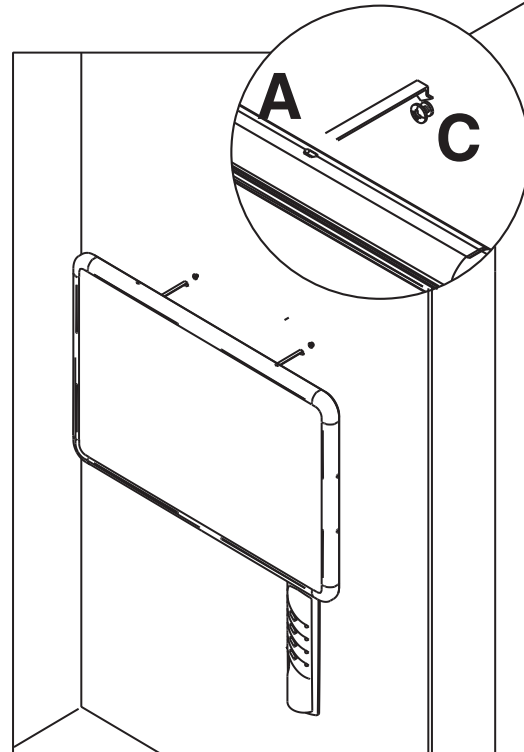
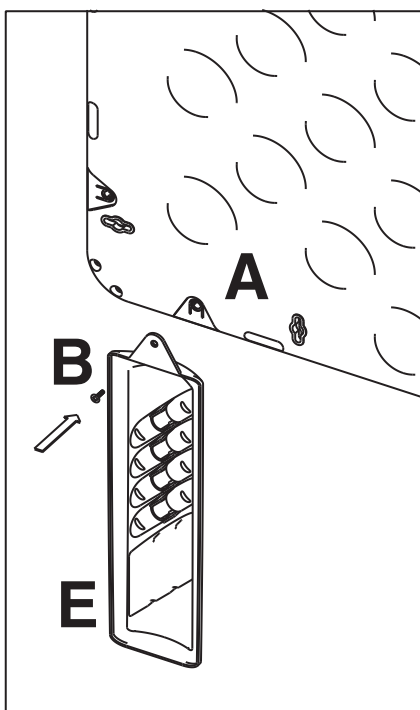
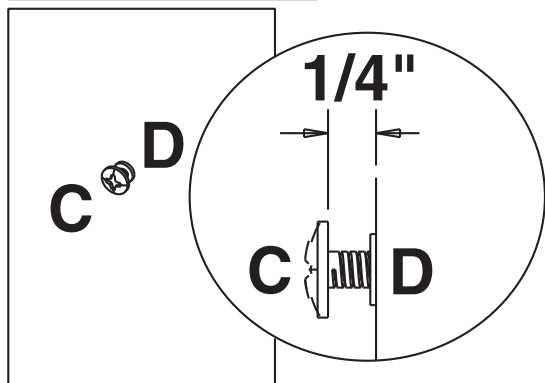
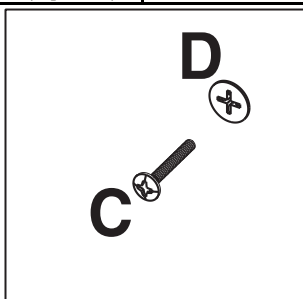
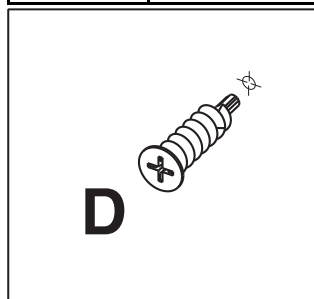
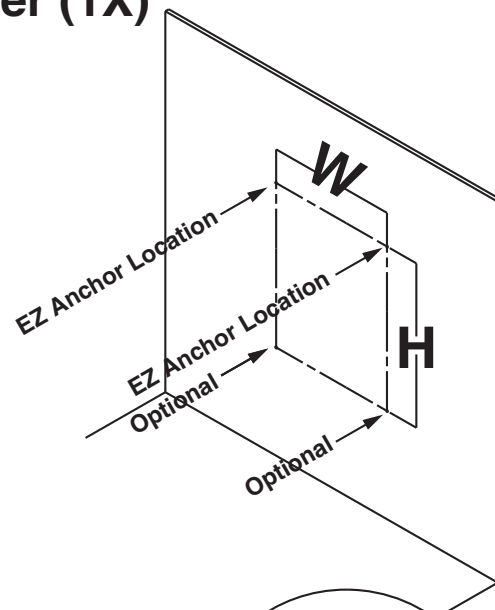
ICEBERG



- A Board Sub-Assembly (1X)**
- B Machine Screw (1X)**
- C Sheet Metal Screw (4X)**
- D EZ Anchor (4X)**
- E Marker Holder (1X)**



Iceberg Boards Wall Mount Location Chart					
Part Number	Center-to-Center Drilled Locations		37037/37039	37047/37049	37067/37069
Size			36X24	48X36	66X42
Mount Orientation	Horizontal	W	16	32	48
		H (Optional)	20.75	32.75	38.75
	Vertical	W	16	16	32
		H (Optional)	32.75	44.75	62.75



Iceberg Enterprises, LLC
 1300 W Higgins Rd Suite 111
 Park Ridge, IL 60068
 800 580 1310
 847 685 9500 (V)
 847 685 9551 (F)
 www.icebergenterprises.com
 INS600155C