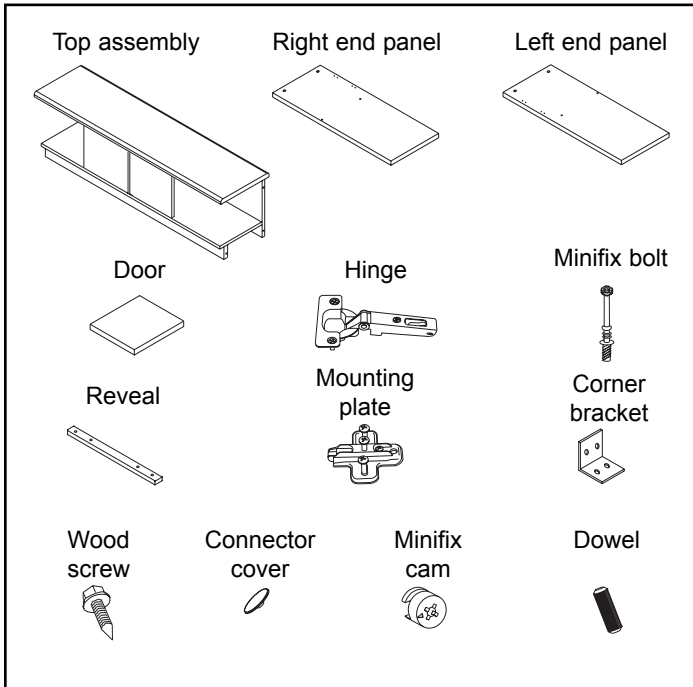


# 105/115 STACK-ON UNIT

# INSTALLATION INSTRUCTIONS

**Illustration 1**



Read all instructions and review illustrations before installing.

Tools required for assembly:

1/4" power nutdriver	Drill
Tape measure	Masking tape
Safety glasses	Rubber mallet

This assembly includes (Illustration 1):

- |                      |                  |
|----------------------|------------------|
| (1) Top assembly     | (2) Door         |
| (1) Right end panel  | (8) Dowel        |
| (1) Left end panel   | (2) Reveal       |
| (4) Corner bracket   | (4) Minifix bolt |
| (4) Mounting plate   | (4) Minifix cam  |
| (4) Hinge            | (16) Wood screw  |
| (10) Connector cover |                  |

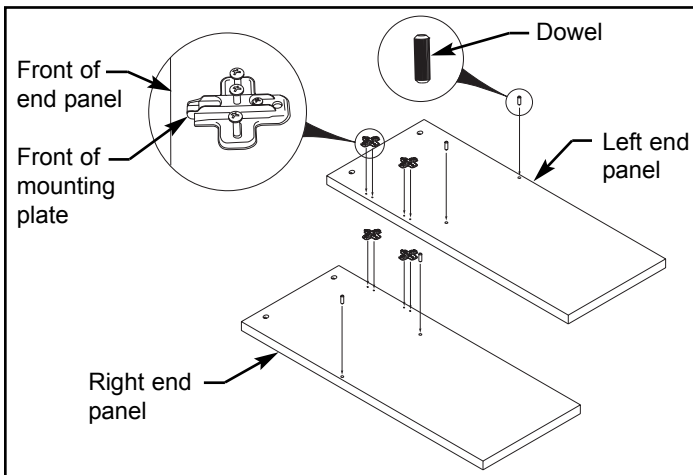
## ! WARNING

Wood products are heavier than they appear and may be hard to control when moving. Use two or more people when moving wood products or severe personal injury may result.

Heavy panels can pinch or crush fingers. Do not place fingers between or under panels during assembly.

To prevent the possibility of serious eye injury, always wear eye protection when hammering and using power tools.

**Illustration 2**



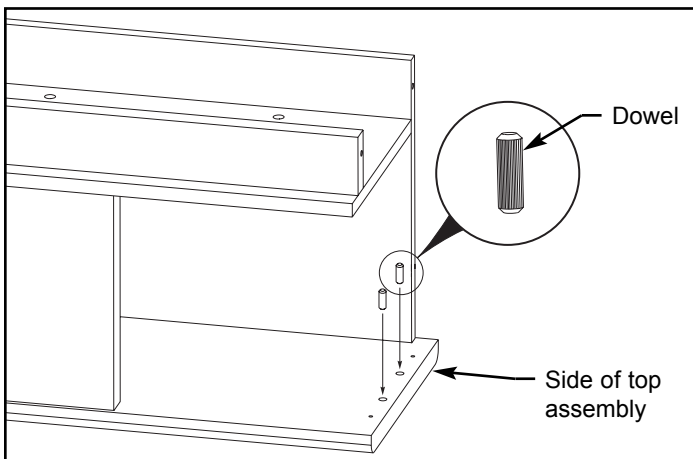
### Assembly:

1. Refer to Illustration 2. Lay right end panel, with holes up, on cardboard or a carpeted surface. Use the rubber mallet to install two dowels (from hardware pack) into locations shown.

Use the Phillips screwdriver to install two hinge mounting plates (from hardware pack) onto right end panel.

Repeat this procedure for left end panel.

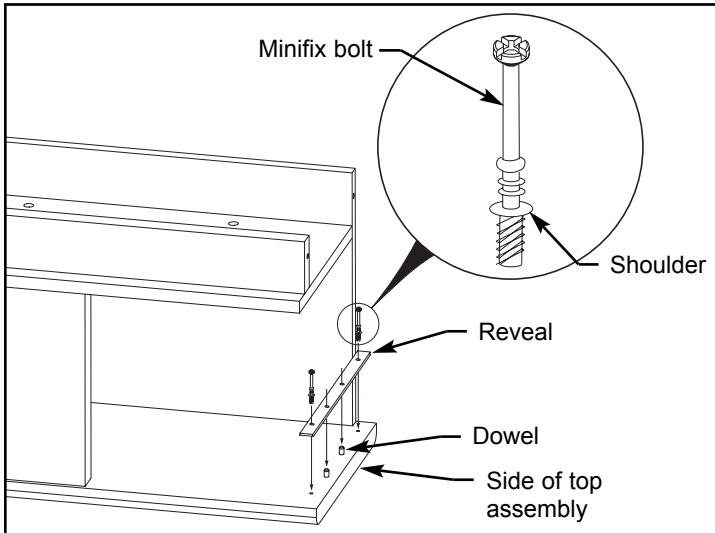
**Illustration 3**



2. Refer to Illustration 3. Lay top assembly upside down on cardboard or a carpeted surface. Use the rubber mallet to install two dowels (from hardware pack) into larger holes along each side of top assembly.

# 105/115 STACK-ON UNIT

**Illustration 4**

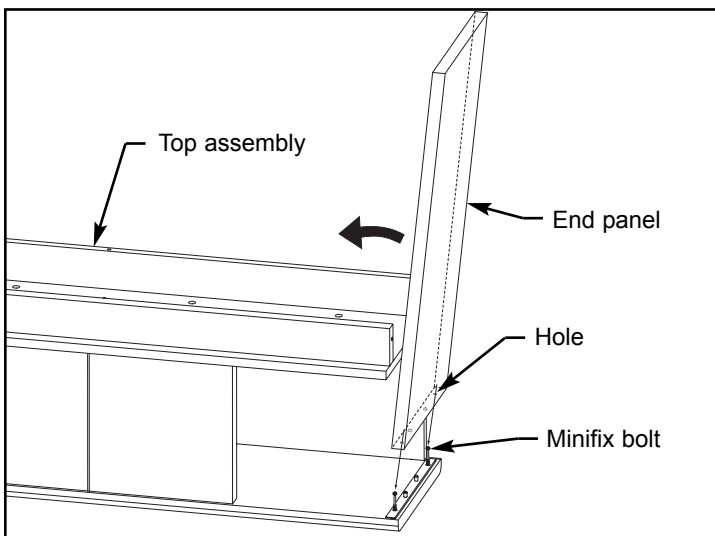


3. Refer to Illustration 4. Place a reveal onto two dowels along side of top assembly. Position reveal so that edge of reveal is flush with edge of top.

Use the Phillips screwdriver to install two minifix bolts (from hardware pack) through reveal and into top. Tighten each minifix bolt until minifix bolt shoulder is flush against surface of reveal.

Repeat this procedure for opposite end of top assembly.

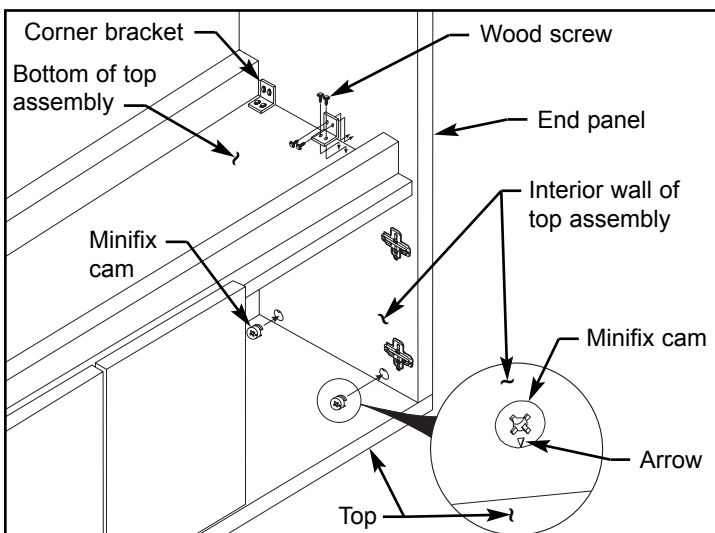
**Illustration 5**



4. Refer to Illustration 5. With dowels facing top assembly, install end panels by inserting ends of minifix bolts, installed in top assembly, into holes drilled along top edges of end panels.

Pivot end panels toward top assembly and insert end panel dowels into holes drilled into sides of top assembly.

**Illustration 6**



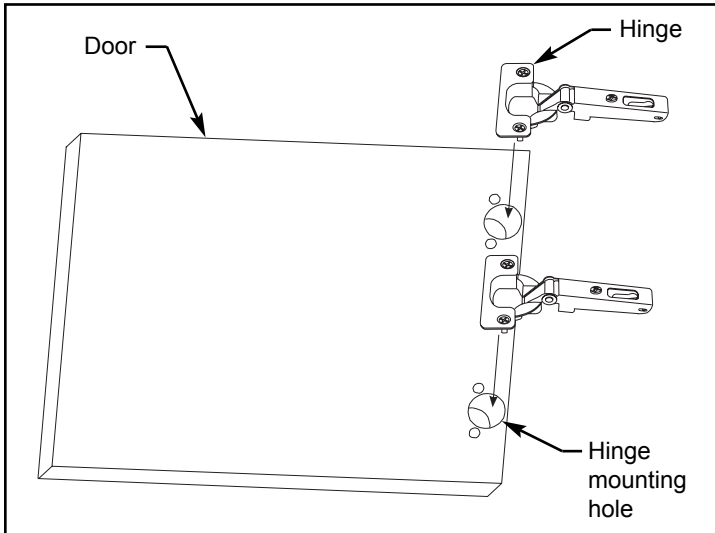
5. Refer to Illustration 6. With arrows facing top, install minifix cams (from hardware pack) into holes in interior wall of each end panel. Use the Phillips screwdriver to tighten minifix cams. Turn minifix cams clockwise to tighten.

Position two corner brackets (from hardware pack) against the bottom of top assembly and against each end panel as shown.

Always wear eye protection when using power tools. Use the drill and 1/4" power nutdriver to install four wood screws (from hardware pack) through each corner bracket and into end panels and top assembly. Fully tighten wood screws.

# 105/115 STACK-ON UNIT

**Illustration 7**

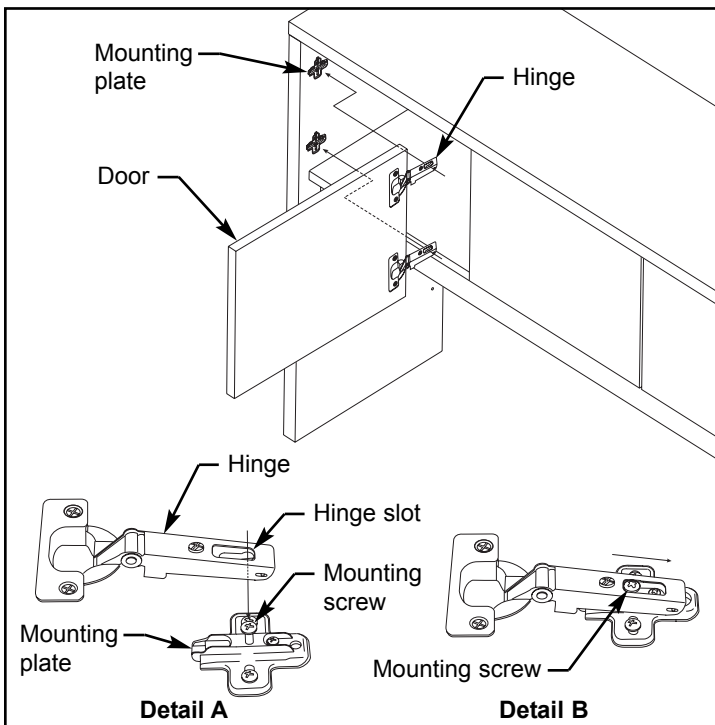


6. Refer to Illustration 7. Locate hinge mounting holes on rear of door. Lay door, with hinge mounting holes up, on cardboard or a carpeted surface.

Use the rubber mallet to install two hinges (from hardware pack) onto door as shown. Align hinges with hinge mounting holes and carefully tap hinges into place.

Repeat this procedure for remaining door.

**Illustration 8**



7. Refer to Illustration 8. Attach door, with hinges, to stack-on. Refer to Detail A. Insert mounting screw on mounting plate into hinge slot.

Refer to Detail B. Slide hinge rearward until mounting screw is at the front of hinge slot.

Use the Phillips screwdriver to tighten mounting screw.

Repeat this procedure for remaining door.

# 105/115 STACK-ON UNIT

Illustration 9

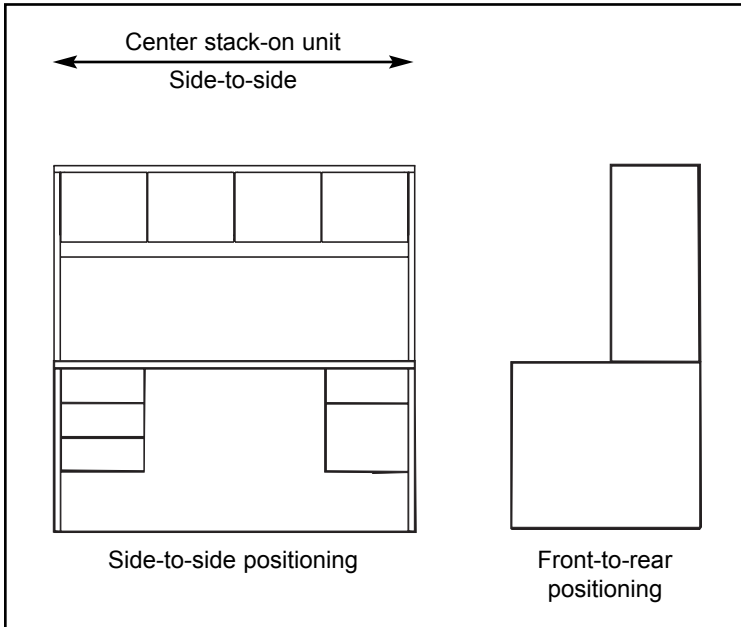
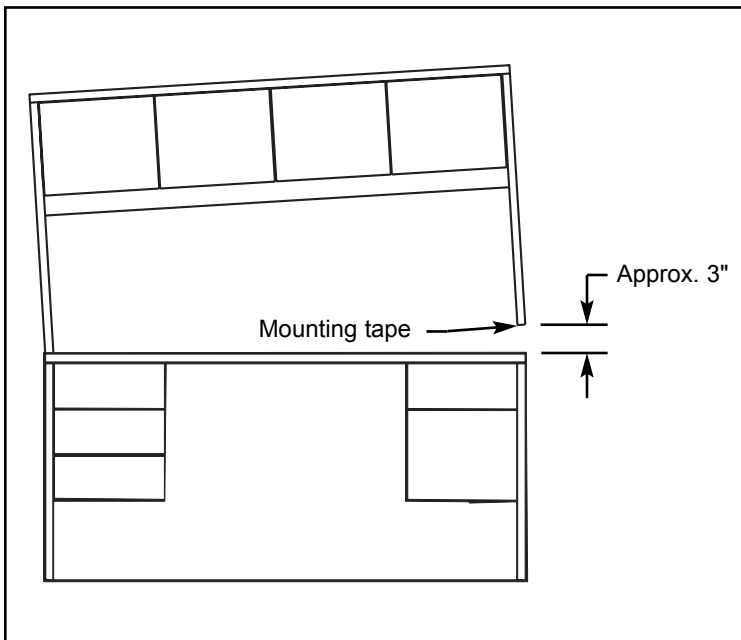


Illustration 10



## IMPORTANT

Ensure all assembly requirements have been properly completed. Read all of the following instructions before proceeding. Mounting surface of shell desk must be clean and free of any wax or oil residue.

Do not remove protective cover on mounting tape until instructed to.

1. Refer to Illustration 9. Use two or more people to position stack-on unit onto desk/credenza. Unit should be flush at rear and be centered from side-to-side. **DO NOT remove protective cover from mounting tape on bottom edge of end panels.**
2. After aligning stack-on unit, place masking tape on top of desk/credenza to mark each end panel position.

## IMPORTANT

Mounting tape used to secure stack-on unit is extremely sensitive and is designed to be a permanent installation. Attempting to remove stack-on unit will cause severe damage to surface of desk/credenza.

3. Refer to Illustration 10. Lift one end of stack-on unit up approximately 3". Be especially careful not to apply any pressure which may cause the opposite end of stack-on unit to slip off desk/credenza.
4. While stack-on unit is raised, remove protective cover from mounting tape. While maintaining alignment, carefully lower stack-on unit and realign end panel with masking tape. Repeat this procedure for remaining end panel.

## ⚠ WARNING

Do not lean on, bump, or load storage shelf of this stack-on unit for a period of 12 hours minimum after the mounting tape has been in contact with desk/credenza. Do not use unit without the mounting tape. Failure to follow this warning can cause the stack-on unit to tip and fall, resulting in severe injury to yourself or others.