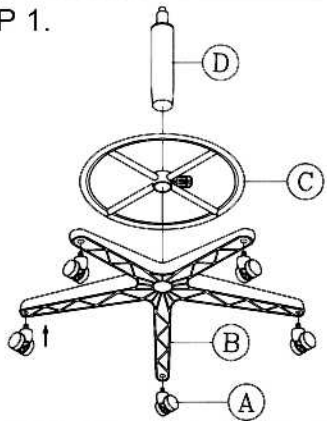
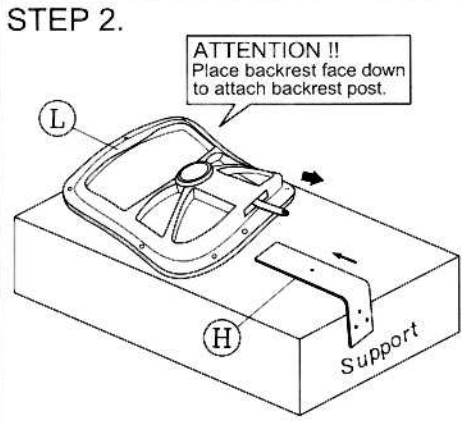
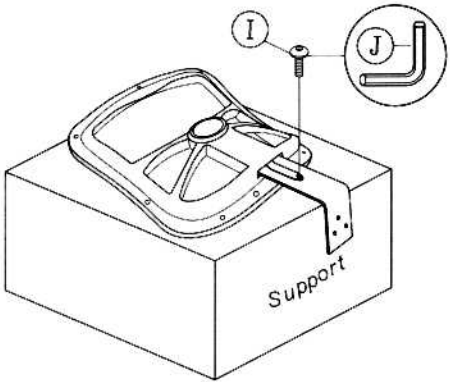
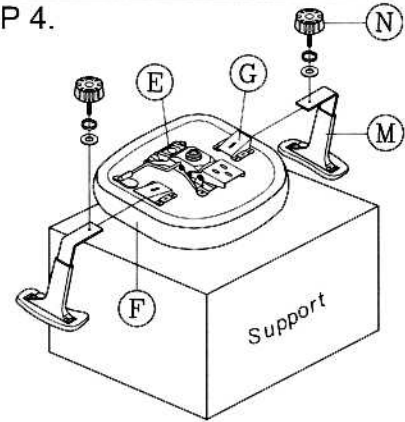


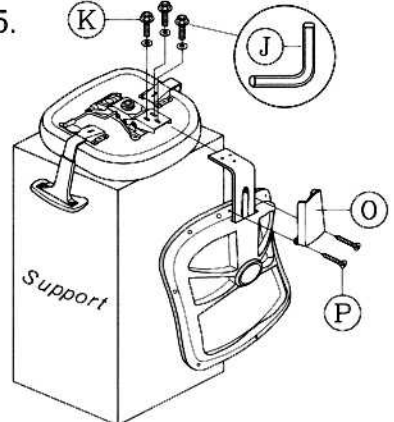
ASSEMBLY INSTRUCTIONS


STEP 1. 

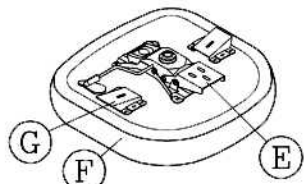
STEP 2. 

STEP 3. 

STEP 4. 

STEP 5. 

STEP 6. 

<p>A</p> <p>Caster (5)</p>	<p>B</p> <p>Base</p>	<p>C</p> <p>Footring + Knob</p>
<p>D</p> <p>Seat Post</p>	<p>E / F / G (pre-assembled)</p>  <p>(E) Mechanism (F) Seat (G) Arm Bracket (2)</p>	
<p>H</p> <p>Backrest Post</p>	<p>I</p> <p>Backrest Screw</p>	<p>J</p> <p>M5 Size Allen Wrench</p>
<p>K</p> <p>Backrest Bolt + Washers (3)</p>	<p>L</p> <p>Backrest</p>	<p>M</p> <p>Armrest (2)</p>
<p>N</p> <p>Arm Width Adjustment Knob + Washers (2)</p>	<p>O</p> <p>Backrest Post Bellow</p>	<p>P</p> <p>Backrest Post Bellow Screw (2)</p>

Model: ALE-EL4614
 Manufactured for / Hecho para / Fabriqué pour Alera® / Essendant Co.
 One Parkway North, Deerfield, IL 60015 © 2015 Essendant Co.
 Made in / Hecho en / Fabriqué à Taiwan
 Product support and parts : 1-800-733-4000
 Ayuda del producto y partes / Support technique et pieces

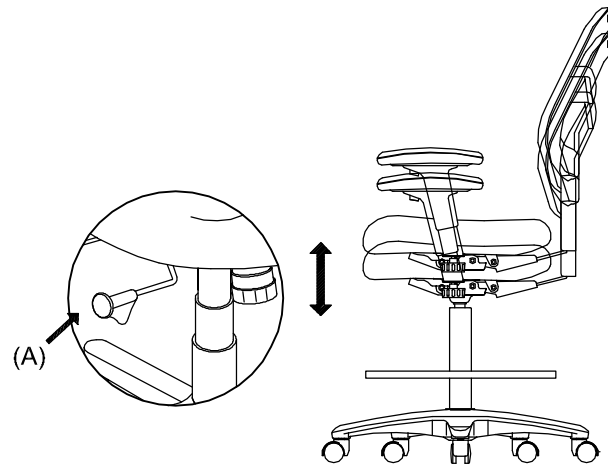


OPERATING INSTRUCTIONS

ALE-EL4614

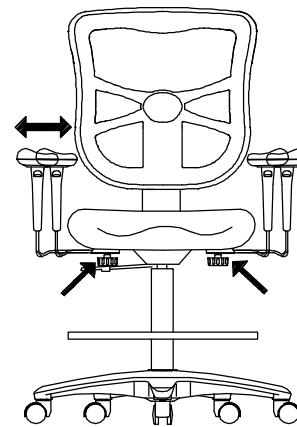
A. Seat height adjustment

To raise the seat height, stand up from the chair while lifting the lever (A) under the right side of the seat. To lower the seat height, lift the lever (A) while sitting in the chair.



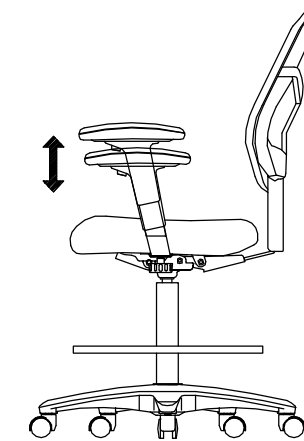
B. Arm width adjustment

To adjust the arm width, loosen the bolt under the arm support and move arm to the desired placement. After reaching desired placement, tighten bolt.



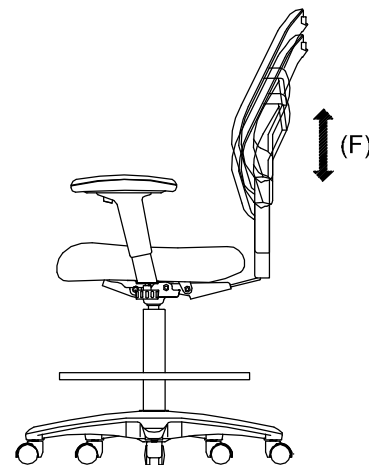
C. Arm height adjustment

To adjust arm height, push the button on the outside of each arm and move the arm up or down. Release the button to set the height.



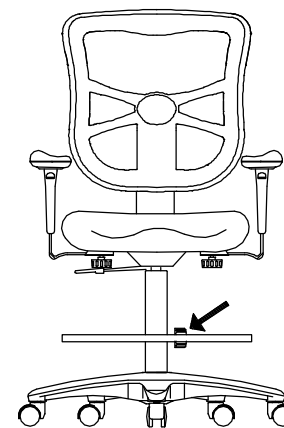
D. Backrest height adjustment

To raise the back, pull up on the seat back until it clicks into the desired height. To lower the back, raise the seat back all the way up until tension is released and then lower all the way down. Raise back up to desired position.



E. Footring adjustment

To adjust footring height, loosen footring knob and raise or lower the footring to the desired height. Tighten knob to secure footring in desired position.



PREVENTIVE MAINTENANCE AND WARNING!

- USE THIS PRODUCT ONLY FOR SEATING ONE PERSON AT A TIME
- DO NOT USE THIS CHAIR AS A STEP STOOL / LADDER
- DO NOT SIT ON ANY PART OF THE CHAIR EXCEPT THE SEAT
- DO NOT USE CHAIR ON UNEVEN FLOOR SURFACES
- DO NOT USE CHAIR UNLESS ALL BOLTS, SCREWS AND KNOBS ARE TIGHTENED.
- **AT LEAST EVERY THREE MONTHS, CHECK ALL BOLTS, SCREWS AND KNOBS TO BE SURE THEY ARE TIGHTENED.**
- IF ANY PARTS ARE MISSING, BROKEN, DAMAGED OR WORN, STOP USE OF THE PRODUCT UNTIL REPAIRS ARE MADE USING FACTORY AUTHORIZED PARTS
- DISPOSE OF PACKAGING PROPERLY. PLASTIC BAG IS NOT A TOY. DO NOT USE PLASTIC BAG AS HEAD COVERING - IT MAY CAUSE SUFFOCATION
- FAILURE TO FOLLOW THESE WARNINGS COULD RESULT IN SERIOUS INJURY