



IL Series
Adjustable folding stool
AAP-CS612

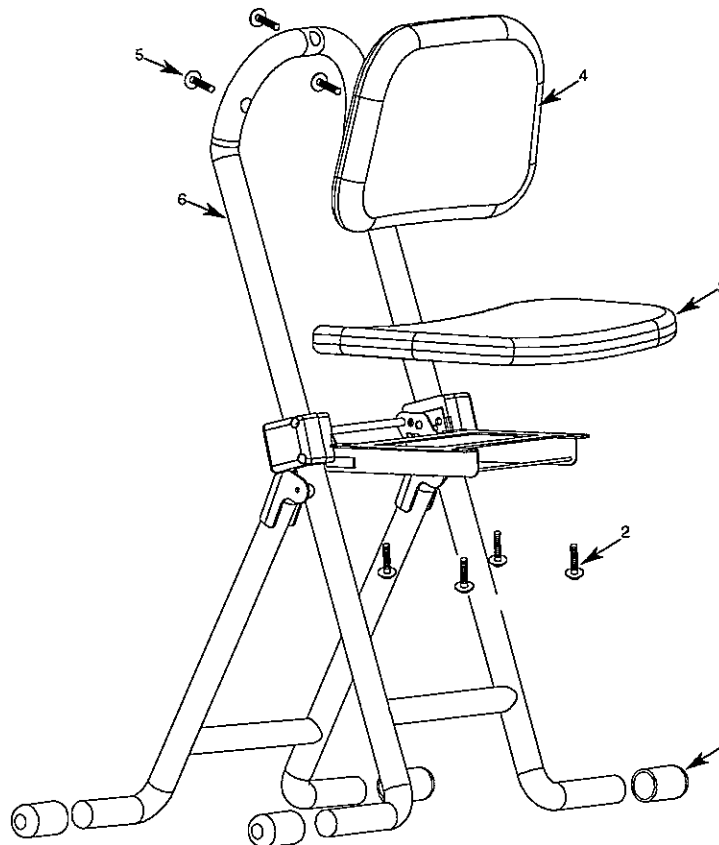
Save This Manual For Future Reference

DESCRIPTION

- 300 lb. capacity
- Easy to adjust seat height from 17.5" to 27.5"
- 1" dia. powder coated steel tube frame
- Folds for easy, compact storage
- Vinyl upholstered 16"W x 10"D seat and 14"W x 8.5"H back

GENERAL SAFETY INSTRUCTIONS

1. Do not stand on seat.
2. Stool must be on level surface to ensure proper stability.
3. Only use stool when fully assembled.
4. Periodically check fasteners and tighten securely if needed.
5. Never use stool if it does not perform according to this manual.
6. Warranty may be void if chair is used while damaged. Immediately call 1-800-733-4000 and report any problems.



PARTS LIST

KEY NO.	DESCRIPTION	QTY	PART NO.
1	Cap	4	10408.00
2	¼-20 x ¾" Phillips Pan Washer Head Screw	4	10409.00
3	Seat	1	10410.00
4	Back	1	10411.03
5	¼-20 x 1½" Phillips Pan Washer Head Screw	3	10412.00
6	Frame (not available as a repair part)	1	N/A

