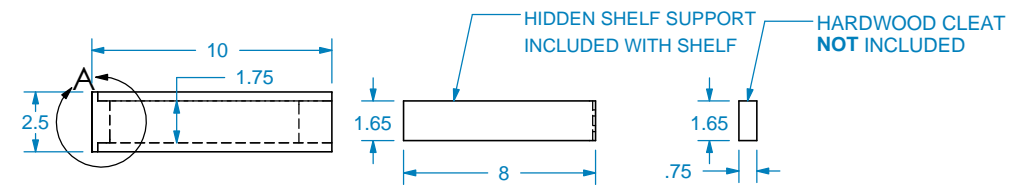
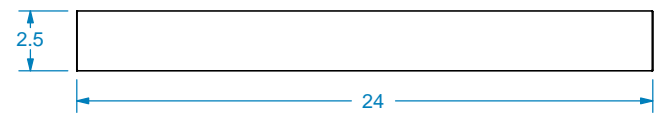
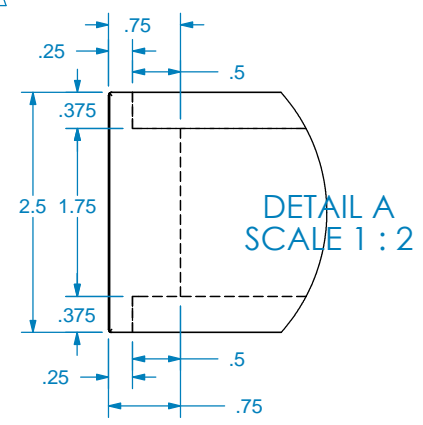
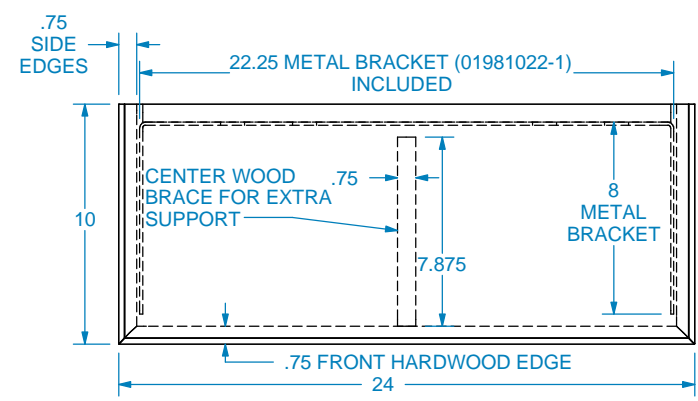
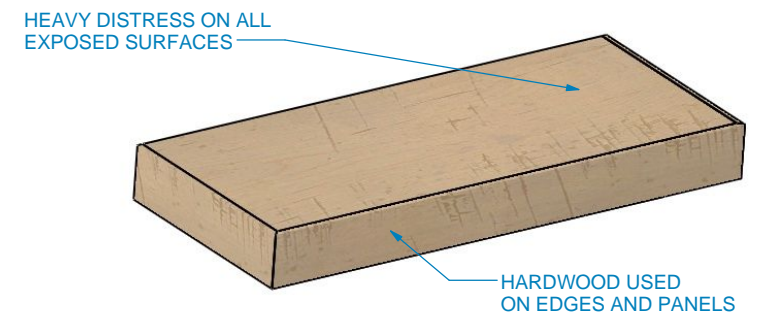


HARDWOOD CLEAT (NOT INCLUDED) MAY BE USED BETWEEN WALL AND BRACKET. ATTACH BRACKET TO CLEAT OR WALL DEPENDING ON WHETHER A CLEAT HAS BEEN USED. THEN SLIDE SHELF OVER BRACKET USING PANEL GLUE TO FASTEN SHELF INTO PLACE OR PIN NAIL SHELF INTO CLEAT



SEE DRAWING "DISTRESS VCS19-A" FOR DISTRESSING DETAILS



REVISION HISTORY			TOLERANCES	
REV	REV DATE	DESCRIPTION	WIDTH	± .03125"
A	8-22-2019	CHANGED TO 2.5" THICK FROM 2.625"	THICKNESS	± .03125"
B	1-13-2020	DISTRESS DETAILS & .75" THICK EDGES	LENGTH	± .0625"
			ANGULAR	± x.x"
			PROFILE	± x.xxx"
			Use General Tolerances Unless Noted	

MATERIALS AND FINISHES	
PLEASE VISIT OUR WEBSITE FOR A COMPLETE LIST. www.brownwoodinc.com 1-800-328-5858	
NOTES:	
Do not scale. Use dimensions only. All dimensions are in inches unless noted	

TITLE: 10" X 24" RUSTIC FLOATING SHELVES	
NOMINAL SIZE 24" X 10" X 2.5"	
DWG #: 01FL102410-1	REV: B
DATE: 1/31/2020	SCALE: 1:8