



PREMIUM BLACK BELT STANCHIONS

Retractable Belt Stanchions are best used for crowd control. With the ability to go in all four directions they are a perfect solution for creating lines and queues. This quality retractable belt stanchion is both functional and sturdy.



Replacement Belt Cassette



Easily assembles/disassembles

STORAGE



- » Stanchion Storage Cart holds **8 Belt Stanchions** or **11 Mirrored / Golden Stanchions** and **12 ropes**
- » Padded post slots
- » Front swivel wheels
- » 197 lbs.
- » 52 1/2" h x 15 3/8" w x 36" l

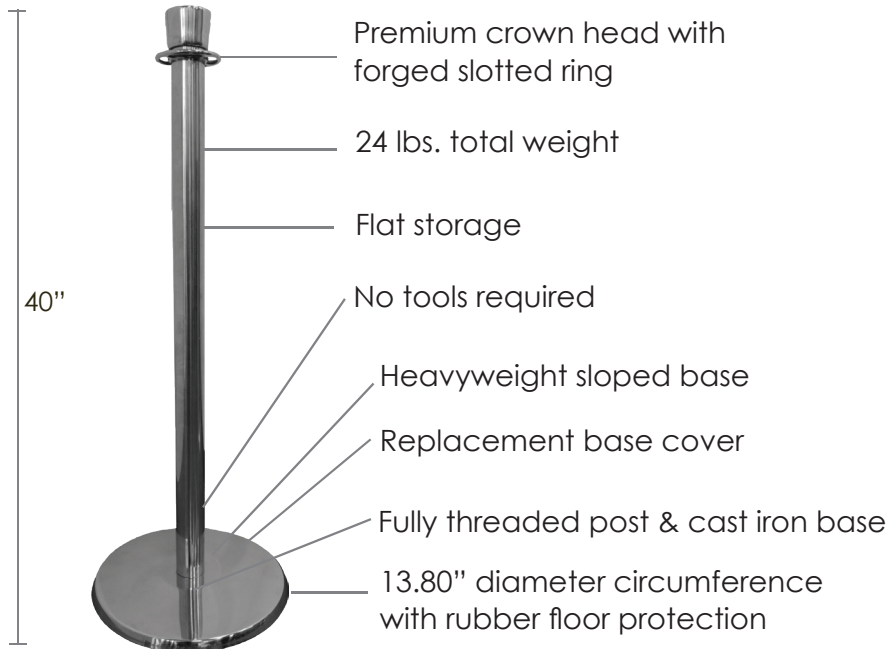


- » Stanchion Storage Cart holds **18 stanchions**, 2.5" post diameter or less
- » Rugged powder coated steel frame
- » Padded post slots
- » Locking rubber wheels
- » 171 lbs.
- » 72 5/8" h x 33 1/4" w x 42" l



PREMIUM STANCHIONS

By adding our Rope and Stanchions to your order you have a perfect complement for your next corporate or red-carpet event. Direct foot traffic by adding that "VIP" factor. Classic red and black 6' ropes are in stock. Custom color options are available. Call for pricing.



PLUSH VELOUR STANCHION ROPES



Heavy-duty cotton core and wrap

- » 6' x 1.5" plush velour ropes
- » Solid cotton core and wrap
- » Mirrored or Golden snap hooks
- » Elegant swag
- » Available in Black or Red
- » Custom colors available

STORAGE



- » Stanchion Storage Cart holds **8 Belt Stanchions** or **11 Mirrored / Golden Stanchions** and **12 ropes**
- » Padded post slots
- » Front swivel wheels
- » 197 lbs.
- » 52 1/2" h x 15 3/8" w x 36" l



- » Stanchion Storage Cart holds **18 stanchions**, 2.5" post diameter or less
- » Rugged powder coated steel frame
- » Padded post slots
- » Locking rubber wheels
- » 171 lbs.
- » 72 5/8" h x 33 1/4" w x 42" l