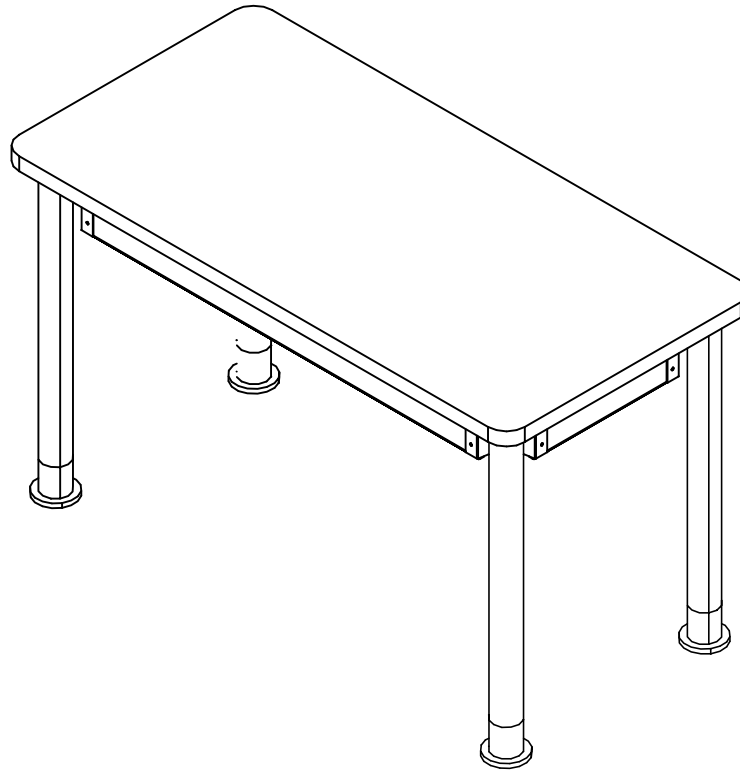


UPLIFT! HYBRID TABLE W/ ADJUSTABLE LEGS

P8 SERIES TABLES ASSEMBLY INSTRUCTIONS



NOTE:

1. MODEL VIEWS MAY NOT REPRESENT EXACT MODEL PURCHASED

ALL DIMENSIONS ARE IN INCHES UNLESS NOTED OTHERWISE	DWN BY: EMR	DATE DWN: 2/10/21
CABINET SQUARENESS = ± .0625	APR BY:	DATE APR:
FRACTURAL VALUES = ± 1/32"	APR BY:	DATE APR:
- ALL VALUES ± OVERALL -		

CONFIDENTIAL:
ALL DESIGN RIGHTS RESERVED
THE INFORMATION, DATA, DESIGN, AND DRAWINGS EMBODIED IN THIS DOCUMENT AND ALL REPRODUCTIONS THEREOF ARE THE EXCLUSIVE PROPERTY OF DIVERSIFIED WOODCRAFTS, INC.

THESE DOCUMENTS ARE SUPPLIED WITH THE UNDERSTANDING THAT THEY WILL NOT BE DISCLOSED TO THIRD PARTIES WITHOUT WRITTEN CONSENT OF DIVERSIFIED WOODCRAFTS, INC. ANY REPRODUCTION IN PART OR WHOLE WITHOUT WRITTEN CONSENT IS SUBJECT TO LEGAL ACTION.



300 South Krueger Street
Suring, WI 54174
diversifiedwoodcrafts.com

TITLE:
UPLIFT! HYBRID TABLE W/ ADJUSTABLE LEGS
ASSEMBLY INSTRUCTIONS

REV.	DESCRIPTION	DATE	NAME	ECN NO.
A	CREATED ASSEMBLY INSTRUCTIONS	2/10/21	EMR	-

REVISION LEVEL

DRAWING NUMBER: P8 SERIES TABLES	SCALE: NTS	SHEET: 1 OF 6	REVISION: REV A
--	---------------	------------------	--------------------

TOOLS REQUIRED

#3 PHILLIPS SCREW DRIVER

#3 SQUARE HEAD - OPTIONAL

ASSEMBLY COMPONENTS

ITEMS INCLUDED	PART #	PART DESCRIPTION	QTY
TOP ASSEMBLY	N/A	TOP ASSEMBLY (FACTORY ASSEMBLED)	1
LEG	100677	KOYO ADJ. LEG SET,SILVER	4
LEG SPACER	100678	KOYO ADJ. LEG SPACER	4
LEG LEVLER	100679	KOYO ADJ. LEG LEVELER,90MM	4
SCREWS - LEGS (1" TOP)	100369	SCREW,#12X $\frac{7}{8}$ " PHIL PAN HEAD SM	24
SCREWS - LEGS (1 $\frac{1}{4}$ " TOP)	214647	SCREW,#12X1 $\frac{1}{8}$ " PHIL PAN HEAD SMS ZINC	24

NOTE:

1. COMPONENTS VARY WITH STYLE OF TABLE PURCHASED.
 - 1.1. TOP SELECTIONS:
 - 1.1.1. CHEMGUARD, PHENOLIC, OR COLORED PLAM
 - 1.2. SIZES OF TABLE:
 - 1.2.1. WIDTH = 48", 54", 60", OR 72"; DEPTH = 24" OR 30"

ALL DIMENSIONS ARE IN INCHES UNLESS NOTED OTHERWISE		DWN BY: EMR	DATE DWN: 2/10/21
CABINET SQUARENESS = ± .0625	APR BY:	DATE APR:	
FRAGMENTAL VALUES = ± 1/32"	APR BY:	DATE APR:	
- ALL VALUES ± OVERALL -			
CONFIDENTIAL: ALL DESIGN RIGHTS RESERVED THE INFORMATION, DATA, DESIGN, AND DRAWINGS EMBODIED IN THIS DOCUMENT AND ALL REPRODUCTIONS THEREOF ARE THE EXCLUSIVE PROPERTY OF DIVERSIFIED WOODCRAFTS, INC.			
THESE DOCUMENTS ARE SUPPLIED WITH THE UNDERSTANDING THAT THEY WILL NOT BE DISCLOSED TO THIRD PARTIES WITHOUT WRITTEN CONSENT OF DIVERSIFIED WOODCRAFTS, INC. ANY REPRODUCTION IN PART OR WHOLE WITHOUT WRITTEN CONSENT IS SUBJECT TO LEGAL ACTION.			



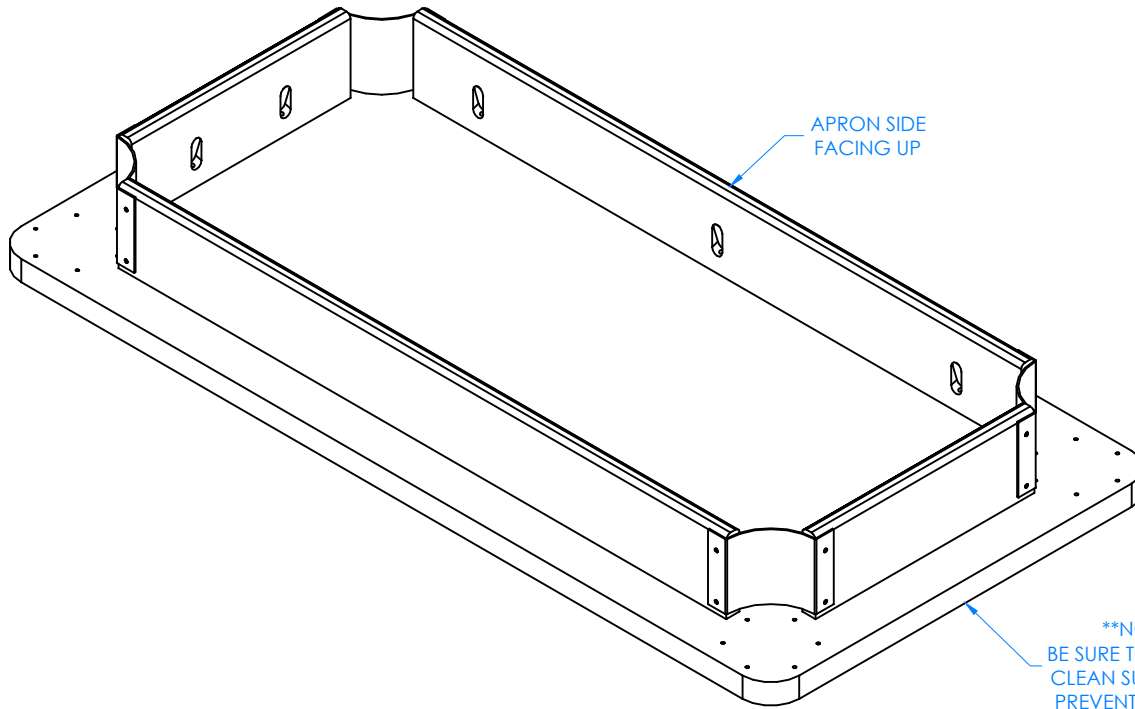
300 South Krueger Street
 Suring, WI 54174
 diversifiedwoodcrafts.com

TITLE:
 UPLIFT! HYBRID TABLE W/ ADJUSTABLE LEGS
 TOOLS AND ASSEMBLY COMPONENTS

REV.	DESCRIPTION	DATE	NAME	ECN NO.
A	CREATED ASSEMBLY INSTRUCTIONS	2/10/21	EMR	-

REVISION LEVEL

DRAWING NUMBER: P8 SERIES TABLES	SCALE: NTS	SHEET: 2 OF 6	REVISION: REV A
--	---------------	------------------	--------------------



STEP 1:

- INSPECT ALL COMPONENTS FOR SHIPPING DAMAGE.
- LAY TOP ASSEMBLY ON FLOOR WITH APRON SIDE FACING UP.

NOTE:

1.

ALL DIMENSIONS ARE IN INCHES UNLESS NOTED OTHERWISE	DWN BY: EMR	DATE DWN: 2/10/21
CABINET SQUARENESS = ± .0625	APR BY:	DATE APR:
FRACTURAL VALUES = ± 1/32"	APR BY:	DATE APR:
- ALL VALUES OVERALL -		

CONFIDENTIAL:
 ALL DESIGN RIGHTS RESERVED
 THE INFORMATION, DATA, DESIGN, AND DRAWINGS EMBODIED IN THIS DOCUMENT AND ALL REPRODUCTIONS THEREOF ARE THE EXCLUSIVE PROPERTY OF DIVERSIFIED WOODCRAFTS, INC.

THESE DOCUMENTS ARE SUPPLIED WITH THE UNDERSTANDING THAT THEY WILL NOT BE DISCLOSED TO THIRD PARTIES WITHOUT WRITTEN CONSENT OF DIVERSIFIED WOODCRAFTS, INC. ANY REPRODUCTION IN PART OR WHOLE WITHOUT WRITTEN CONSENT IS SUBJECT TO LEGAL ACTION.

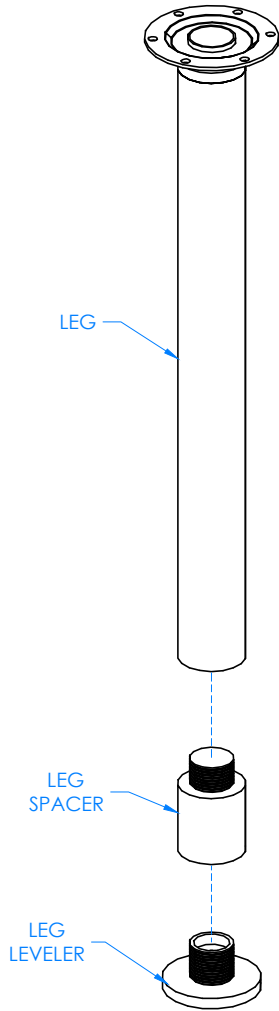


300 South Krueger Street
 Suring, WI 54174
 diversifiedwoodcrafts.com

TITLE:
 UPLIFT! HYBRID TABLE W/ ADJUSTABLE LEGS
 ASSEMBLY INSTRUCTIONS

REV.	DESCRIPTION	DATE	NAME	ECN NO.
A	CREATED ASSEMBLY INSTRUCTIONS	2/10/21	EMR	-
REVISION LEVEL				

DRAWING NUMBER:	SCALE:	SHEET:	REVISION:
P8 SERIES TABLES	NTS	3 OF 6	REV A



STEP 2:

- SCREW LEG SPACERS INTO BOTTOM OF ADJUSTABLE LEGS.
- SCREW LEG LEVELERS INTO BOTTOM OF LEG SPACERS.

NOTE:

1.

ALL DIMENSIONS ARE IN INCHES UNLESS NOTED OTHERWISE	DWN BY: EMR	DATE DWN: 2/10/21
CABINET SQUARENESS = ± .0625	APR BY:	DATE APR:
FRACTIONAL VALUES = ± 1/32"	APR BY:	DATE APR:
- ALL VALUES ± OVERALL -		

CONFIDENTIAL:
 ALL DESIGN RIGHTS RESERVED
 THE INFORMATION, DATA, DESIGN, AND DRAWINGS EMBODIED IN THIS DOCUMENT AND ALL REPRODUCTIONS THEREOF ARE THE EXCLUSIVE PROPERTY OF DIVERSIFIED WOODCRAFTS, INC.

THESE DOCUMENTS ARE SUPPLIED WITH THE UNDERSTANDING THAT THEY WILL NOT BE DISCLOSED TO THIRD PARTIES WITHOUT WRITTEN CONSENT OF DIVERSIFIED WOODCRAFTS, INC. ANY REPRODUCTION IN PART OR WHOLE WITHOUT WRITTEN CONSENT IS SUBJECT TO LEGAL ACTION.

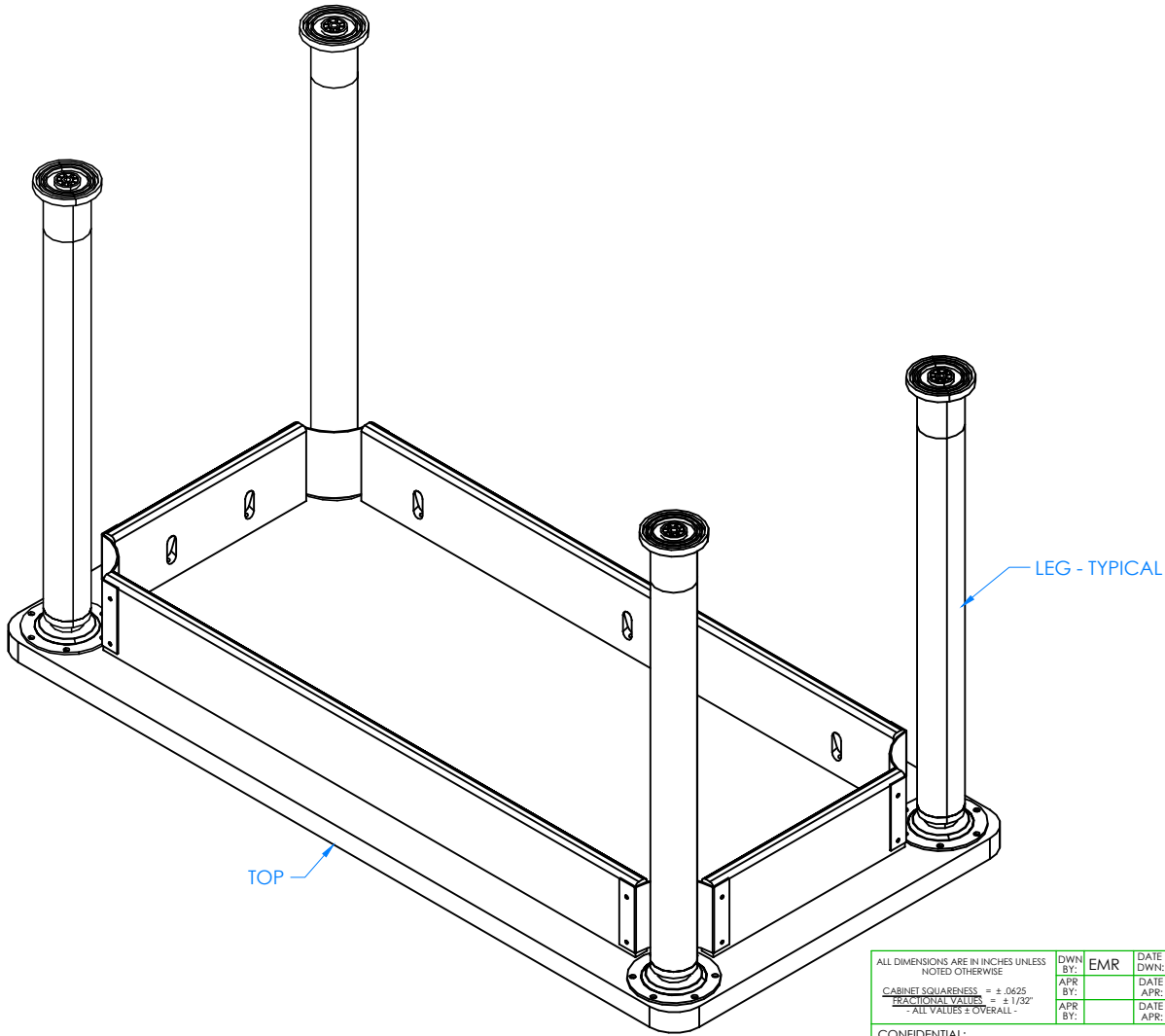


300 South Krueger Street
 Suring, WI 54174
 diversifiedwoodcrafts.com

TITLE:
 UPLIFT! HYBRID TABLE W/ ADJUSTABLE LEGS
 ASSEMBLY INSTRUCTIONS

REV.	DESCRIPTION	DATE	NAME	ECN NO.
A	CREATED ASSEMBLY INSTRUCTIONS	2/10/21	EMR	-
REVISION LEVEL				

DRAWING NUMBER:	SCALE:	SHEET:	REVISION:
P8 SERIES TABLES	NTS	4 OF 6	REV A



STEP 3:

- SCREW LEGS TO BOTTOM OF TOP THROUGH PRE-DRILLED HOLES WITH HARDWARE PROVIDED.
- MAKE SURE EACH LEG IS SCREWED ON TIGHT USING A MAXIMUM OF 45IN - LBS OF TORQUE.

NOTE:

1.

ALL DIMENSIONS ARE IN INCHES UNLESS NOTED OTHERWISE	DWN BY: EMR	DATE DWN: 2/10/21
CABINET SQUARENESS = ± .0625	APR BY:	DATE APR:
FRACTURAL VALUES = ± 1/32"	APR BY:	DATE APR:
- ALL VALUES ± OVERALL -		

CONFIDENTIAL:
ALL DESIGN RIGHTS RESERVED
THE INFORMATION, DATA, DESIGN, AND DRAWINGS EMBODIED IN THIS DOCUMENT AND ALL REPRODUCTIONS THEREOF ARE THE EXCLUSIVE PROPERTY OF DIVERSIFIED WOODCRAFTS, INC.

THESE DOCUMENTS ARE SUPPLIED WITH THE UNDERSTANDING THAT THEY WILL NOT BE DISCLOSED TO THIRD PARTIES WITHOUT WRITTEN CONSENT OF DIVERSIFIED WOODCRAFTS, INC. ANY REPRODUCTION IN PART OR WHOLE WITHOUT WRITTEN CONSENT IS SUBJECT TO LEGAL ACTION.



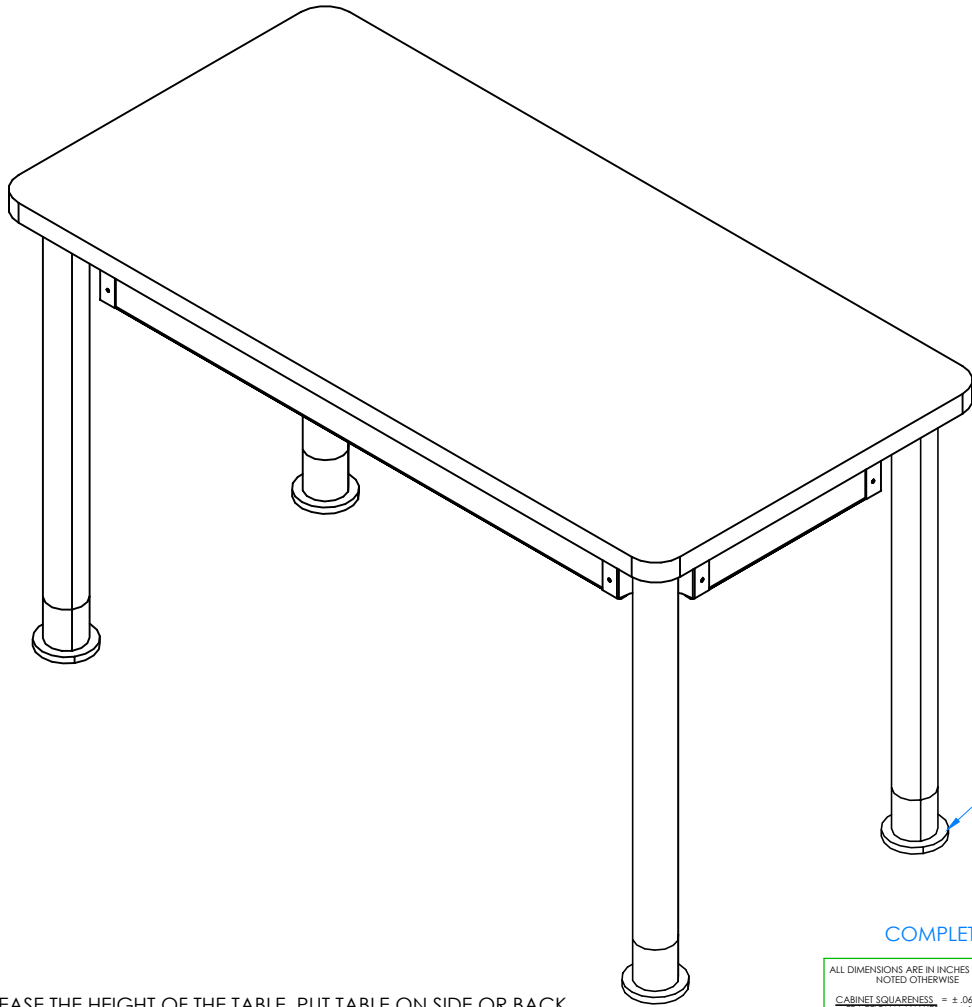
300 South Krueger Street
Suring, WI 54174
diversifiedwoodcrafts.com

TITLE:
UPLIFT! HYBRID TABLE W/ ADJUSTABLE LEGS
ASSEMBLY INSTRUCTIONS

REV.	DESCRIPTION	DATE	NAME	ECN NO.
A	CREATED ASSEMBLY INSTRUCTIONS	2/10/21	EMR	-

REVISION LEVEL

DRAWING NUMBER:	SCALE:	SHEET:	REVISION:
P8 SERIES TABLES	NTS	5 OF 6	REV A



STEP 4:

- SET TABLE IN PLACE.
- ADJUST LEGS TO DESIRED HEIGHT - SEE NOTE ON HOW TO ADJUST HEIGHT OF TABLE.

****NOTE****
 WHEN MOVING TABLE, CARRY IT. DO NOT DRAG OR PUSH THE TABLE ACROSS THE FLOOR ON LEG LEVELERS.

NOTE:

1. TO INCREASE THE HEIGHT OF THE TABLE, PUT TABLE ON SIDE OR BACK AND SIMPLY PULL ON THE BOTTOM OF EACH LEG.
2. TO DECREASE THE HEIGHT OF THE TABLE, PUT TABLE ON SIDE OR BACK AND MOVE THE ADJUSTABLE LEG TO THE HIGHEST SETTING. IT WILL START TO RELEASE. PUSH THE LEG BACK TO A LOWER SETTING.

COMPLETE UNIT SHOWN

ALL DIMENSIONS ARE IN INCHES UNLESS NOTED OTHERWISE			
CABINET SQUARENESS = ± .0625	DWN BY: EMR	DATE DWN: 2/10/21	
FRACTURAL VALUES = ± 1/32"	APR BY:	DATE APR:	
- ALL VALUES ± OVERALL -	APR BY:	DATE APR:	
CONFIDENTIAL: ALL DESIGN RIGHTS RESERVED THE INFORMATION, DATA, DESIGN, AND DRAWINGS EMBODIED IN THIS DOCUMENT AND ALL REPRODUCTIONS THEREOF ARE THE EXCLUSIVE PROPERTY OF DIVERSIFIED WOODCRAFTS, INC.			
THESE DOCUMENTS ARE SUPPLIED WITH THE UNDERSTANDING THAT THEY WILL NOT BE DISCLOSED TO THIRD PARTIES WITHOUT WRITTEN CONSENT OF DIVERSIFIED WOODCRAFTS, INC. ANY REPRODUCTION IN PART OR WHOLE WITHOUT WRITTEN CONSENT IS SUBJECT TO LEGAL ACTION.			



300 South Krueger Street
 Suring, WI 54174
 diversifiedwoodcrafts.com

TITLE:
 UPLIFT! HYBRID TABLE W/ ADJUSTABLE LEGS
 ASSEMBLY INSTRUCTIONS

REV.	DESCRIPTION	DATE	NAME	ECN NO.
A	CREATED ASSEMBLY INSTRUCTIONS	2/10/21	EMR	-
REVISION LEVEL				

DRAWING NUMBER:	SCALE:	SHEET:	REVISION:
P8 SERIES TABLES	NTS	6 OF 6	REV A