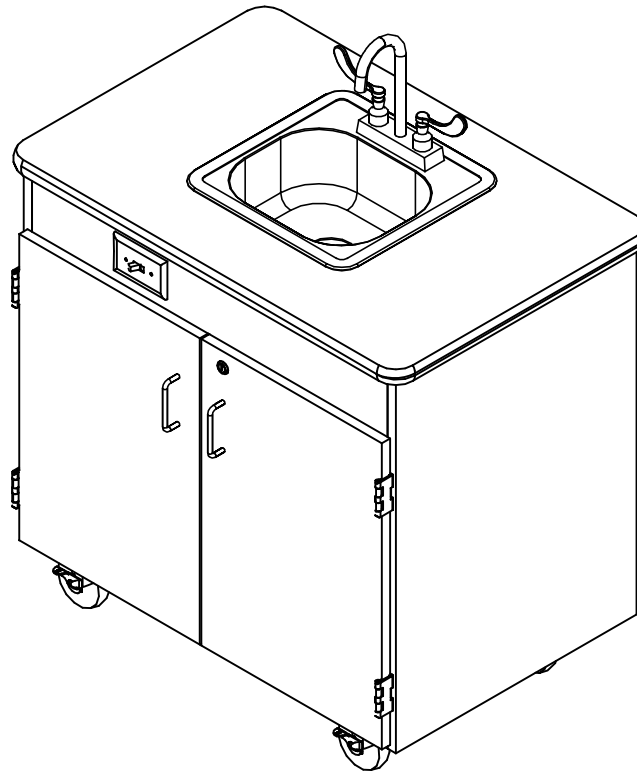


MOBILE HAND WASHING STATION

HWS-3624
ASSEMBLY INSTRUCTIONS



NOTE:

1. MODEL VIEWS MAY NOT REPRESENT EXACT MODEL PURCHASED

ALL DIMENSIONS ARE IN INCHES UNLESS NOTED OTHERWISE	DWN BY: EMK	DATE DWN: 1/12/16
CABINET SQUARENESS = ± .0625	APR BY:	DATE APR:
FRACTIONAL VALUES = ± 1/32"	APR BY:	DATE APR:
- ALL VALUES ± OVERALL -		

CONFIDENTIAL:
ALL DESIGN RIGHTS RESERVED
THE INFORMATION, DATA, DESIGN, AND DRAWINGS EMBODIED IN THIS DOCUMENT AND ALL REPRODUCTIONS THEREOF ARE THE EXCLUSIVE PROPERTY OF DIVERSIFIED WOODCRAFTS, INC.

THESE DOCUMENTS ARE SUPPLIED WITH THE UNDERSTANDING THAT THEY WILL NOT BE DISCLOSED TO THIRD PARTIES WITHOUT WRITTEN CONSENT OF DIVERSIFIED WOODCRAFTS, INC. ANY REPRODUCTION IN PART OR WHOLE WITHOUT WRITTEN CONSENT IS SUBJECT TO LEGAL ACTION.



300 South Krueger Street
Suring, WI 54174
diversifiedwoodcrafts.com

TITLE:
MOBILE HAND WASHING STATION
ASSEMBLY INSTRUCTIONS

REV.	DESCRIPTION	DATE	NAME	ECN NO.
A	CREATED DRAWING	1/12/16	EMK	-
REVISION LEVEL				

DRAWING NUMBER: HWS-3624	SCALE: NTS	SHEET: 1 OF 7	REVISION: REV A
------------------------------------	---------------	------------------	--------------------

ASSEMBLY COMPONENTS

ITEMS INCLUDED	PART #	PART DESCRIPTION	QTY
FRESH WATER CONTAINER	251695	WATER JUG,5 GAL,ROUND,POTABLE WATER	1
WASTE WATER CONTAINER	251696	WATER JUG,6 GAL,ROUND,WASTE WATER	1

NOTE:

1.

ALL DIMENSIONS ARE IN INCHES UNLESS NOTED OTHERWISE CABINET SQUARENESS = ± .0625 FRACTIONAL VALUES = ± 1/32" - ALL VALUES ± OVERALL -	DWN BY: EMK DATE DWN: 1/12/16 APR BY: [] DATE APR: [] APR BY: [] DATE APR: []
CONFIDENTIAL: ALL DESIGN RIGHTS RESERVED THE INFORMATION, DATA, DESIGN, AND DRAWINGS EMBODIED IN THIS DOCUMENT AND ALL REPRODUCTIONS THEREOF ARE THE EXCLUSIVE PROPERTY OF DIVERSIFIED WOODCRAFTS, INC.	
THESE DOCUMENTS ARE SUPPLIED WITH THE UNDERSTANDING THAT THEY WILL NOT BE DISCLOSED TO THIRD PARTIES WITHOUT WRITTEN CONSENT OF DIVERSIFIED WOODCRAFTS, INC. ANY REPRODUCTION IN PART OR WHOLE WITHOUT WRITTEN CONSENT IS SUBJECT TO LEGAL ACTION.	



300 South Krueger Street
Suring, WI 54174
diversifiedwoodcrafts.com

TITLE:
MOBILE HAND WASHING STATION
TOOLS AND ASSEMBLY COMPONENTS

DRAWING NUMBER: HWS-3624	SCALE: NTS	SHEET: 2 OF 7	REVISION: REV A
------------------------------------	---------------	------------------	--------------------

REV.	DESCRIPTION	DATE	NAME	ECN NO.
A	CREATED DRAWING	1/12/16	EMK	-
REVISION LEVEL				



STEP 1:

- FILL FRESH WATER CONTAINER UP WITH WATER.
- FRESH WATER CONTAINER WILL BE THE SMALL JUG.
- WASTE WATER CONTAINER WILL BE THE LARGER JUG.

****NOTE****
 FILL WITH ROOM TEMPERATURE
 WATER OTHERWISE IF IT'S TOO
 COLD, WATER WILL NOT BE WARM

NOTE:

1. BE SURE CASTERS ARE LOCKED WHEN FILLING AND EXCHANGING WATER JUGS OR WHEN PLUGGING INTO WALL.

ALL DIMENSIONS ARE IN INCHES UNLESS NOTED OTHERWISE	DWN BY: EMK	DATE DWN: 1/12/16
CABINET SQUARENESS = ± .0625	APR BY:	DATE APR:
FRACTIONAL VALUES = ± 1/32"	APR BY:	DATE APR:
-ALL VALUES ± OVERALL-		

CONFIDENTIAL:
 ALL DESIGN RIGHTS RESERVED
 THE INFORMATION, DATA, DESIGN, AND DRAWINGS EMBODIED IN THIS DOCUMENT AND ALL REPRODUCTIONS THEREOF ARE THE EXCLUSIVE PROPERTY OF DIVERSIFIED WOODCRAFTS, INC.

THESE DOCUMENTS ARE SUPPLIED WITH THE UNDERSTANDING THAT THEY WILL NOT BE DISCLOSED TO THIRD PARTIES WITHOUT WRITTEN CONSENT OF DIVERSIFIED WOODCRAFTS, INC. ANY REPRODUCTION IN PART OR WHOLE WITHOUT WRITTEN CONSENT IS SUBJECT TO LEGAL ACTION.



300 South Krueger Street
 Suring, WI 54174
 diversifiedwoodcrafts.com

TITLE:
 MOBILE HAND WASHING STATION
 ASSEMBLY INSTRUCTIONS

REV.	DESCRIPTION	DATE	NAME	ECN NO.
A	CREATED DRAWING	1/12/16	EMK	-
REVISION LEVEL				

DRAWING NUMBER: HWS-3624	SCALE: NTS	SHEET: 3 OF 7	REVISION: REV A
------------------------------------	---------------	------------------	--------------------

WASTE WATER TUBE
 NOTE
 WASTE WATER TUBE
 ADJUSTMENTS MAY BE
 REQUIRED

FRESH WATER HOSE



STEP 2:

- SNAP FRESH WATER HOSE INTO FRESH WATER CONTAINER.
- SLIDE WASTE WATER TUBE INTO WASTE WATER CONTAINER.

NOTE:

1. BE SURE CASTERS ARE LOCKED WHEN FILLING AND EXCHANGING WATER JUGS OR WHEN PLUGGING INTO WALL.

ALL DIMENSIONS ARE IN INCHES UNLESS NOTED OTHERWISE	DWN BY: EMK	DATE DWN: 1/12/16
CABINET SQUARENESS = ± .0625	APR BY:	DATE APR:
FRACTIONAL VALUES = ± 1/32"	APR BY:	DATE APR:
- ALL VALUES ± OVERALL -		

CONFIDENTIAL:
 ALL DESIGN RIGHTS RESERVED
 THE INFORMATION, DATA, DESIGN, AND DRAWINGS EMBODIED IN THIS DOCUMENT AND ALL REPRODUCTIONS THEREOF ARE THE EXCLUSIVE PROPERTY OF DIVERSIFIED WOODCRAFTS, INC.

THESE DOCUMENTS ARE SUPPLIED WITH THE UNDERSTANDING THAT THEY WILL NOT BE DISCLOSED TO THIRD PARTIES WITHOUT WRITTEN CONSENT OF DIVERSIFIED WOODCRAFTS, INC. ANY REPRODUCTION IN PART OR WHOLE WITHOUT WRITTEN CONSENT IS SUBJECT TO LEGAL ACTION.

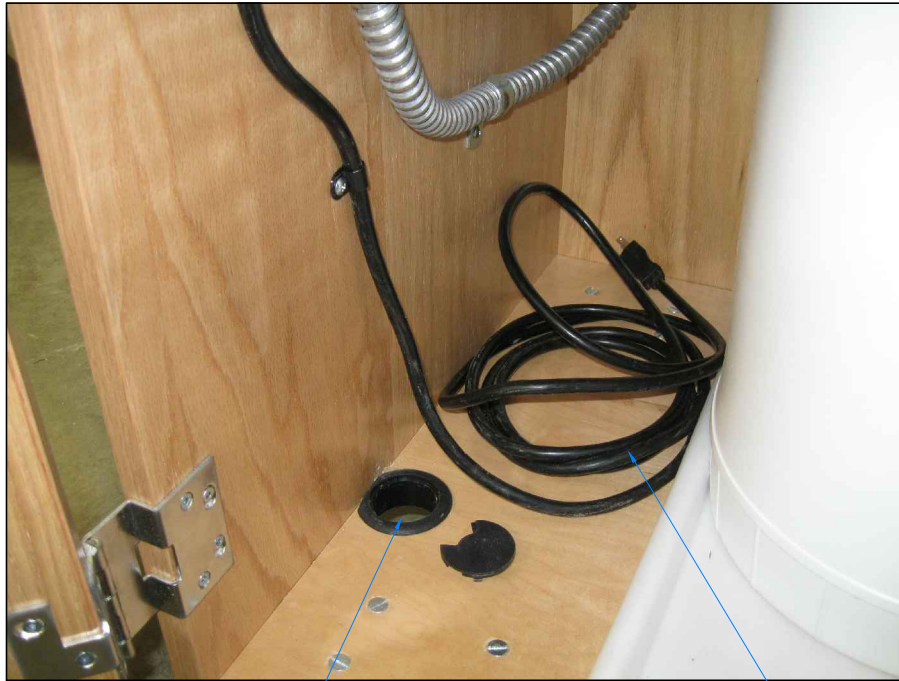


300 South Krueger Street
 Suring, WI 54174
 diversifiedwoodcrafts.com

TITLE:
 MOBILE HAND WASHING STATION
 ASSEMBLY INSTRUCTIONS

REV.	DESCRIPTION	DATE	NAME	ECN NO.
A	CREATED DRAWING	1/12/16	EMK	-
REVISION LEVEL				

DRAWING NUMBER: HWS-3624	SCALE: NTS	SHEET: 4 OF 7	REVISION: REV A
------------------------------------	---------------	------------------	--------------------



GROMMET

EXTENSION CORD

STEP 3:

- FEED EXTENSION CORD THAT IS ALREADY ATTACH TO INSIDE OUTLET, OUT GROMMET HOLE LOCATED AT BOTTOM OF CABINET.
- PLUG INTO WALL OUTLET.

NOTE:

1. BE SURE CASTERS ARE LOCKED WHEN FILLING AND EXCHANGING WATER JUGS OR WHEN PLUGGING INTO WALL.

ALL DIMENSIONS ARE IN INCHES UNLESS NOTED OTHERWISE		DWN BY: EMK	DATE DWN: 1/12/16
CABINET SQUARENESS = ± .0625	APR BY:	DATE APR:	
FRACTIONAL VALUES = ± 1/32"	APR BY:	DATE APR:	
- ALL VALUES ± OVERALL -			

CONFIDENTIAL:
 ALL DESIGN RIGHTS RESERVED
 THE INFORMATION, DATA, DESIGN, AND DRAWINGS EMBODIED IN THIS DOCUMENT AND ALL REPRODUCTIONS THEREOF ARE THE EXCLUSIVE PROPERTY OF DIVERSIFIED WOODCRAFTS, INC.

THESE DOCUMENTS ARE SUPPLIED WITH THE UNDERSTANDING THAT THEY WILL NOT BE DISCLOSED TO THIRD PARTIES WITHOUT WRITTEN CONSENT OF DIVERSIFIED WOODCRAFTS, INC. ANY REPRODUCTION IN PART OR WHOLE WITHOUT WRITTEN CONSENT IS SUBJECT TO LEGAL ACTION.



300 South Krueger Street
 Suring, WI 54174
 diversifiedwoodcrafts.com

TITLE:
 MOBILE HAND WASHING STATION
 ASSEMBLY INSTRUCTIONS

REV.	DESCRIPTION	DATE	NAME	ECN NO.
A	CREATED DRAWING	1/12/16	EMK	-
REVISION LEVEL				

DRAWING NUMBER: HWS-3624	SCALE: NTS	SHEET: 5 OF 7	REVISION: REV A
------------------------------------	---------------	------------------	--------------------



STEP 4:

- OPEN HOT WATER VALVE.
- FLIP OUTSIDE SWITCH ON.
- PUMP WILL COME ON.
- LEAVE ON UNTIL WATER COMES OUT.
- SHUT HOT WATER VALVE OFF.
- OPEN COLD WATER VALVE TO MAKE SURE NO AIR IS IN THE LINE.
- FLIP SWITCH INSIDE OF CABINET ON TO TURN WATER HEATER ON.
- ONCE WATER HEATER IS ON, IT IS READY TO USE.

NOTE:

1. BE SURE CASTERS ARE LOCKED WHEN FILLING AND EXCHANGING WATER JUGS OR WHEN PLUGGING INTO WALL.

ALL DIMENSIONS ARE IN INCHES UNLESS NOTED OTHERWISE	DWN BY: EMK	DATE DWN: 1/12/16
CABINET SQUARENESS = ± .0625	APR BY:	DATE APR:
FRACTIONAL VALUES = ± 1/32"	APR BY:	DATE APR:
- ALL VALUES ± OVERALL -		

CONFIDENTIAL:
 ALL DESIGN RIGHTS RESERVED
 THE INFORMATION, DATA, DESIGN, AND DRAWINGS EMBODIED IN THIS DOCUMENT AND ALL REPRODUCTIONS THEREOF ARE THE EXCLUSIVE PROPERTY OF DIVERSIFIED WOODCRAFTS, INC.

THESE DOCUMENTS ARE SUPPLIED WITH THE UNDERSTANDING THAT THEY WILL NOT BE DISCLOSED TO THIRD PARTIES WITHOUT WRITTEN CONSENT OF DIVERSIFIED WOODCRAFTS, INC. ANY REPRODUCTION IN PART OR WHOLE WITHOUT WRITTEN CONSENT IS SUBJECT TO LEGAL ACTION.

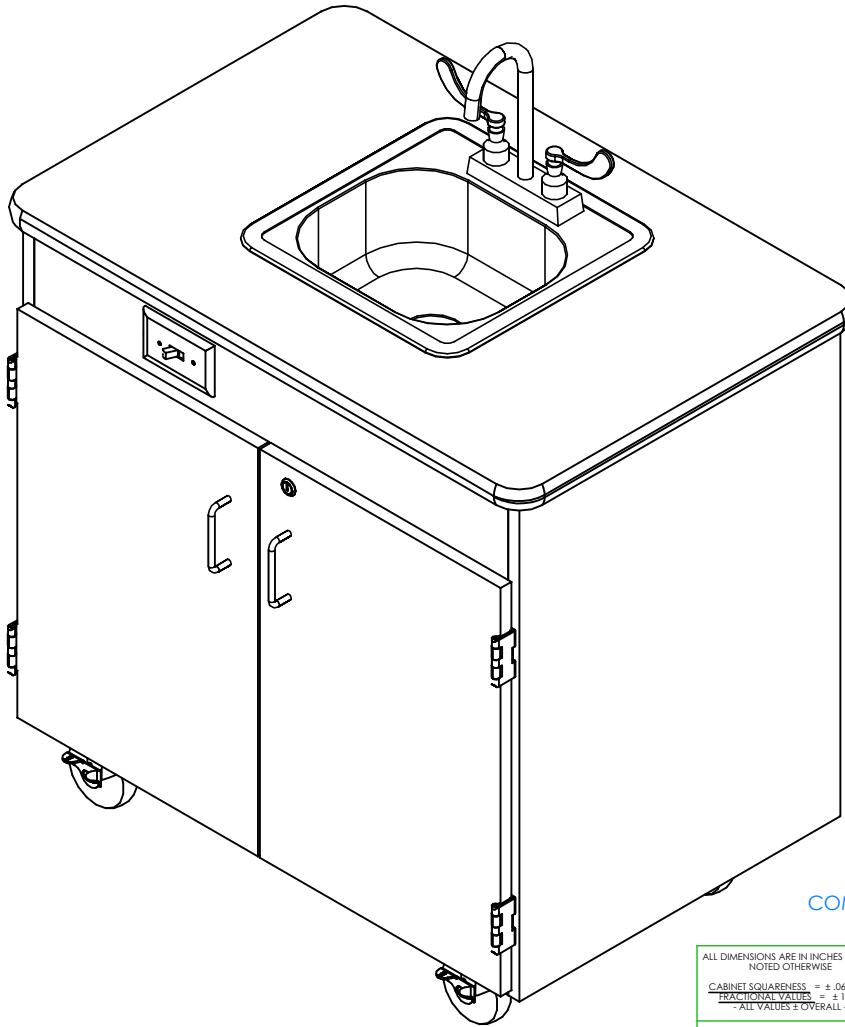


300 South Krueger Street
 Suring, WI 54174
 diversifiedwoodcrafts.com

TITLE:
 MOBILE HAND WASHING STATION
 ASSEMBLY INSTRUCTIONS

A	CREATED DRAWING	1/12/16	EMK	-
REV.	DESCRIPTION	DATE	NAME	ECN NO.
REVISION LEVEL				

DRAWING NUMBER: HWS-3624	SCALE: NTS	SHEET: 6 OF 7	REVISION: REV A
------------------------------------	---------------	------------------	--------------------



STEP 5:

- ONCE CABINET IS READY TO USE, SET IN DESIRED LOCATION.
- TO FILL UP FRESH WATER CONTAINER, TURN OFF OUTSIDE SWITCH AND DISCONNECT QUICK CONNECT CORD.
- TO EMPTY WASTE WATER CONTAINER, SLIDE TUBE OUT AND TAKE CONTAINER OUT.
- IF STORING MOBILE CABINET, TURN OFF BOTH INSIDE AND OUTSIDE SWITCHES.

COMPLETE UNIT SHOWN

NOTE:

1. BE SURE CASTERS ARE LOCKED WHEN FILLING AND EXCHANGING WATER JUGS OR WHEN PLUGGING INTO WALL.

ALL DIMENSIONS ARE IN INCHES UNLESS NOTED OTHERWISE	DWN BY: EMK	DATE DWN: 1/12/16
CABINET SQUARENESS = ± .0625	APR BY:	DATE APR:
FRACTIONAL VALUES = ± 1/32"	APR BY:	DATE APR:
- ALL VALUES ± OVERALL -		

CONFIDENTIAL:
ALL DESIGN RIGHTS RESERVED
THE INFORMATION, DATA, DESIGN, AND DRAWINGS EMBODIED IN THIS DOCUMENT AND ALL REPRODUCTIONS THEREOF ARE THE EXCLUSIVE PROPERTY OF DIVERSIFIED WOODCRAFTS, INC.

THESE DOCUMENTS ARE SUPPLIED WITH THE UNDERSTANDING THAT THEY WILL NOT BE DISCLOSED TO THIRD PARTIES WITHOUT WRITTEN CONSENT OF DIVERSIFIED WOODCRAFTS, INC. ANY REPRODUCTION IN PART OR WHOLE WITHOUT WRITTEN CONSENT IS SUBJECT TO LEGAL ACTION.



300 South Krueger Street
Suring, WI 54174
diversifiedwoodcrafts.com

TITLE:
MOBILE HAND WASHING STATION
ASSEMBLY INSTRUCTIONS

REV.	DESCRIPTION	DATE	NAME	ECN NO.
A	CREATED DRAWING	1/12/16	EMK	-
REVISION LEVEL				

DRAWING NUMBER: HWS-3624	SCALE: NTS	SHEET: 7 OF 7	REVISION: REV A
------------------------------------	---------------	------------------	--------------------