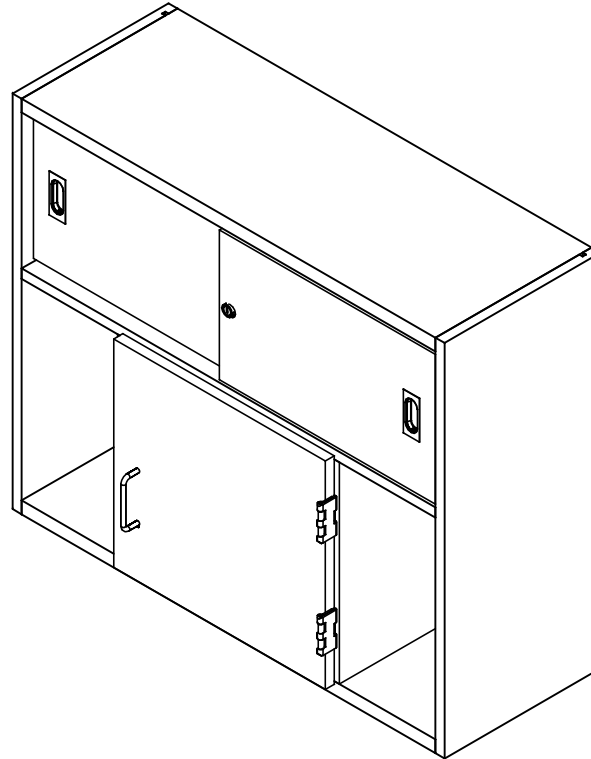


FIRST AID SAFETY CABINET

FAC-3613 ASSEMBLY INSTRUCTIONS



NOTE:

1. MODEL VIEWS MAY NOT REPRESENT EXACT MODEL PURCHASED

ALL DIMENSIONS ARE IN INCHES UNLESS NOTED OTHERWISE	DWN BY: EMK	DATE DWN: 1/11/16
CABINET SQUARENESS = ± .0625	APR BY:	DATE APR:
FRACTIONAL VALUES = ± 1/32"	APR BY:	DATE APR:
- ALL VALUES ± OVERALL -		

CONFIDENTIAL:
ALL DESIGN RIGHTS RESERVED
THE INFORMATION, DATA, DESIGN, AND DRAWINGS EMBODIED IN THIS DOCUMENT AND ALL REPRODUCTIONS THEREOF ARE THE EXCLUSIVE PROPERTY OF DIVERSIFIED WOODCRAFTS, INC.

THESE DOCUMENTS ARE SUPPLIED WITH THE UNDERSTANDING THAT THEY WILL NOT BE DISCLOSED TO THIRD PARTIES WITHOUT WRITTEN CONSENT OF DIVERSIFIED WOODCRAFTS, INC. ANY REPRODUCTION IN PART OR WHOLE WITHOUT WRITTEN CONSENT IS SUBJECT TO LEGAL ACTION.



300 South Krueger Street
Suring, WI 54174
diversifiedwoodcrafts.com

TITLE:
FIRST AID SAFETY CABINET
ASSEMBLY INSTRUCTIONS

REV.	DESCRIPTION	DATE	NAME	ECN NO.
A	CREATED DRAWING	1/11/16	EMK	-
REVISION LEVEL				

DRAWING NUMBER: FAC-3613	SCALE: NTS	SHEET: 1 OF 4	REVISION: REV A
------------------------------------	---------------	------------------	--------------------

TOOLS REQUIRED

DRILL

ASSEMBLY COMPONENTS

ITEMS INCLUDED	PART #	PART DESCRIPTION	QTY
SCREWS	N/A	SCREWS - DEPENDING ON MATERIAL CABINET IS HUNG FROM	6
GALVANIZED PAIL	251251	4 GALLON GALVANIZED PAIL	1
FIRE EXTINGUISHER	251250	5LB ABC FIRE EXTINGUISHER	1
FIRE BLANKET	100173	BLANKET, FIRE/FIRST AID	1
FIRST AID KIT	100174	FIRST AID KIT	1
PLASTIC JUGS	251249	WHITE CAUSTIC JUG	2

NOTE:

1.

ALL DIMENSIONS ARE IN INCHES UNLESS NOTED OTHERWISE
 CABINET SQUARENESS = ± .0625
 FRACTIONAL VALUES = ± 1/32"
 - ALL VALUES ± OVERALL -

DWN BY:	EMK	DATE DWN:	1/11/16
APR BY:		DATE APR:	
APR BY:		DATE APR:	

CONFIDENTIAL:
 ALL DESIGN RIGHTS RESERVED
 THE INFORMATION, DATA, DESIGN, AND DRAWINGS EMBODIED
 IN THIS DOCUMENT AND ALL REPRODUCTIONS THEREOF ARE
 THE EXCLUSIVE PROPERTY OF DIVERSIFIED WOODCRAFTS, INC.

THESE DOCUMENTS ARE SUPPLIED WITH THE UNDERSTANDING
 THAT THEY WILL NOT BE DISCLOSED TO THIRD PARTIES WITHOUT
 WRITTEN CONSENT OF DIVERSIFIED WOODCRAFTS, INC. ANY
 REPRODUCTION IN PART OR WHOLE WITHOUT WRITTEN
 CONSENT IS SUBJECT TO LEGAL ACTION.



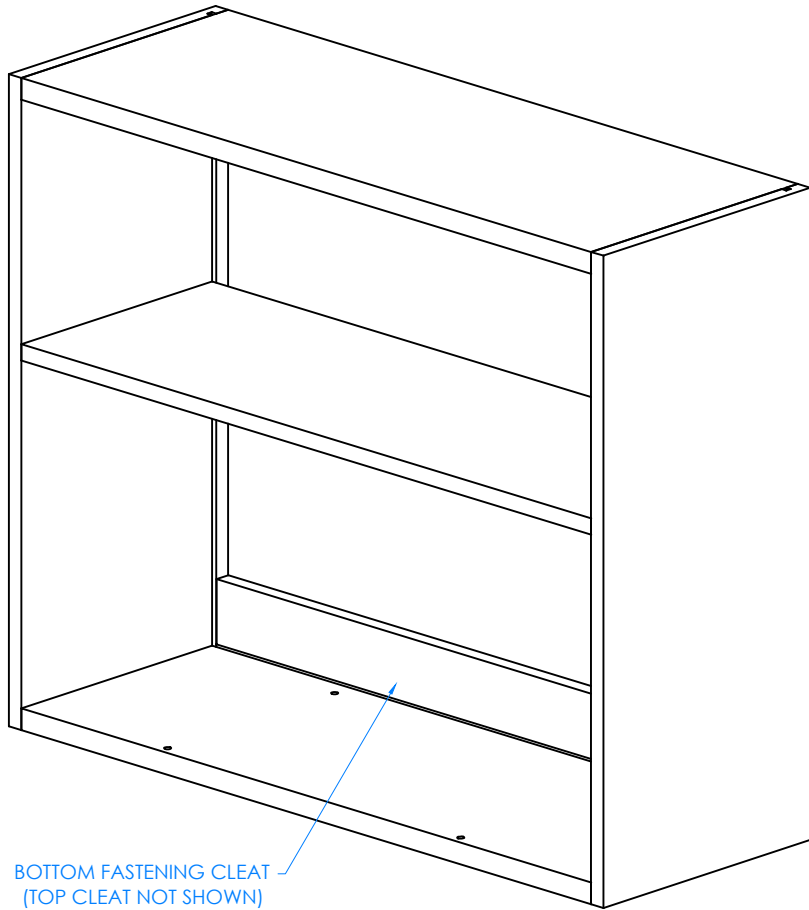
300 South Krueger Street
 Suring, WI 54174
 diversifiedwoodcrafts.com

TITLE:
**FIRST AID SAFETY CABINET
 TOOLS AND ASSEMBLY COMPONENTS**

REV.	DESCRIPTION	DATE	NAME	ECN NO.
A	CREATED DRAWING	1/11/16	EMK	-

REVISION LEVEL

DRAWING NUMBER: FAC-3613	SCALE: NTS	SHEET: 2 OF 4	REVISION: REV A
------------------------------------	---------------	------------------	--------------------



BOTTOM FASTENING CLEAT
(TOP CLEAT NOT SHOWN)

DOORS, SHELVES, DIVIDERS, AND BACK REMOVED TO SHOW
FASTENING CLEAT

STEP 1:

- REMOVE OR OPEN DOORS.
- PUT ONE SCREW IN EACH CORNER AND IN MIDDLE OF FASTENING CLEATS (MAKE SURE CABINET IS HUNG LEVEL).
- FASTENING CLEATS ARE DOWN 3" FROM THE TOP AND 3" UP FROM BOTTOM.

NOTE:

1. TO REMOVE SLIDING DOORS - SLIDE DOORS TO ONE SIDE. REMOVE EXPOSED SCREWS FROM TOP RAIL. SLIDE DOORS TO OPPOSITE SIDE AND REMOVE REMAINING SCREWS. TILT DOORS AND RAIL OUT. REPEAT STEPS ABOVE IN REVERSE TO PUT DOORS BACK ON.

ALL DIMENSIONS ARE IN INCHES UNLESS NOTED OTHERWISE	DWN BY: EMK	DATE DWN: 1/11/16
CABINET SQUARENESS = ± .0625	APR BY:	DATE APR:
FRACTURAL VALUES = ± 1/32"	APR BY:	DATE APR:
- ALL VALUES ± OVERALL -		

CONFIDENTIAL:
ALL DESIGN RIGHTS RESERVED
THE INFORMATION, DATA, DESIGN, AND DRAWINGS EMBODIED IN THIS DOCUMENT AND ALL REPRODUCTIONS THEREOF ARE THE EXCLUSIVE PROPERTY OF DIVERSIFIED WOODCRAFTS, INC.

THESE DOCUMENTS ARE SUPPLIED WITH THE UNDERSTANDING THAT THEY WILL NOT BE DISCLOSED TO THIRD PARTIES WITHOUT WRITTEN CONSENT OF DIVERSIFIED WOODCRAFTS, INC. ANY REPRODUCTION IN PART OR WHOLE WITHOUT WRITTEN CONSENT IS SUBJECT TO LEGAL ACTION.

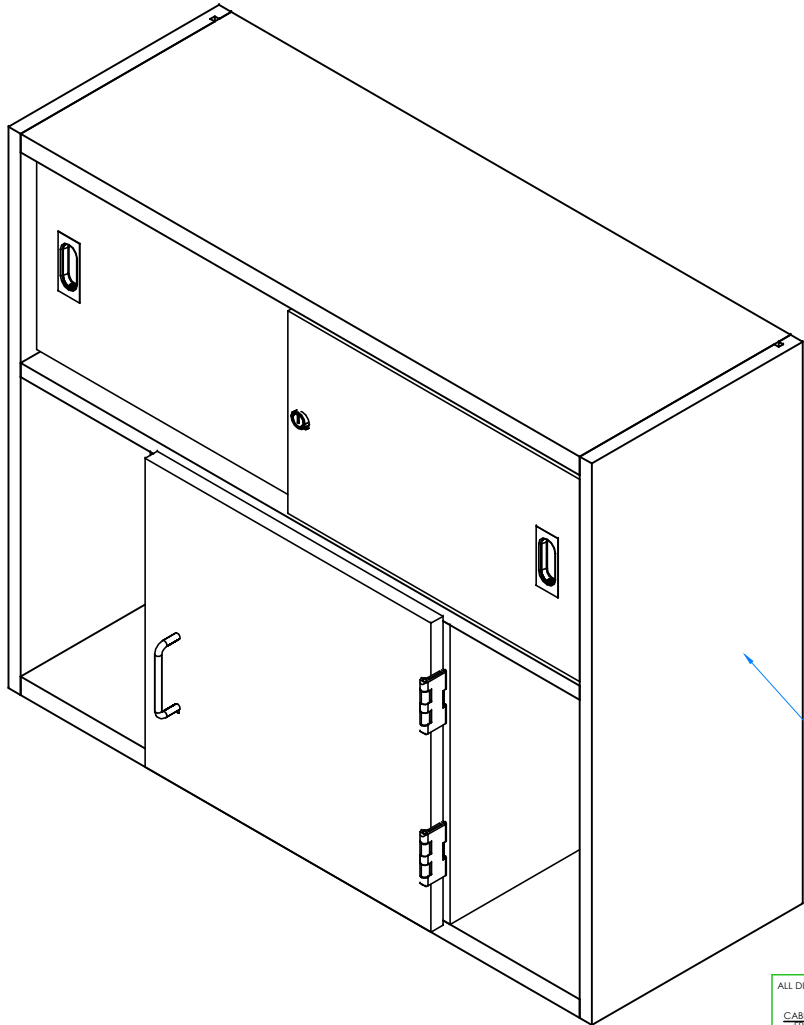


300 South Krueger Street
Suring, WI 54174
diversifiedwoodcrafts.com

TITLE:
FIRST AID SAFETY CABINET
ASSEMBLY INSTRUCTIONS

REV.	DESCRIPTION	DATE	NAME	ECN NO.
A	CREATED DRAWING	1/11/16	EMK	-
REVISION LEVEL				

DRAWING NUMBER: FAC-3613	SCALE: NTS	SHEET: 3 OF 4	REVISION: REV A
------------------------------------	---------------	------------------	--------------------



STEP 2:

- PUT DOORS BACK ON.
- PLACE GALVANIZED PAIL, FIRE EXTINGUISHER, FIRE BLANKET, FIRST AID KIT, AND PLASTIC JUGS IN DESIRED LOCATIONS.
- FIRE EXTINGUISHER AND FIRE BLANKET COULD ALSO BE MOUNTED ON OUTSIDE OF CABINET ON EITHER LEFT OR RIGHT SIDE.

FIRE EXTINGUISHER AND FIRE BLANKET CAN BE MOUNTED ON OUTSIDE OF EITHER SIDE

NOTE:

1. TO REMOVE SLIDING DOORS - SLIDE DOORS TO ONE SIDE. REMOVE EXPOSED SCREWS FROM TOP RAIL. SLIDE DOORS TO OPPOSITE SIDE AND REMOVE REMAINING SCREWS. TILT DOORS AND RAIL OUT. REPEAT STEPS ABOVE IN REVERSE TO PUT DOORS BACK ON.

COMPLETE UNIT SHOWN

ALL DIMENSIONS ARE IN INCHES UNLESS NOTED OTHERWISE	DWN BY: EMK	DATE DWN: 1/11/16
CABINET SQUARENESS = ± .0625	APR BY:	DATE APR:
FRACTIONAL VALUES = ± 1/32"	APR BY:	DATE APR:
- ALL VALUES ± OVERALL -		

CONFIDENTIAL:
ALL DESIGN RIGHTS RESERVED
THE INFORMATION, DATA, DESIGN, AND DRAWINGS EMBODIED IN THIS DOCUMENT AND ALL REPRODUCTIONS THEREOF ARE THE EXCLUSIVE PROPERTY OF DIVERSIFIED WOODCRAFTS, INC.

THESE DOCUMENTS ARE SUPPLIED WITH THE UNDERSTANDING THAT THEY WILL NOT BE DISCLOSED TO THIRD PARTIES WITHOUT WRITTEN CONSENT OF DIVERSIFIED WOODCRAFTS, INC. ANY REPRODUCTION IN PART OR WHOLE WITHOUT WRITTEN CONSENT IS SUBJECT TO LEGAL ACTION.



300 South Krueger Street
Suring, WI 54174
diversifiedwoodcrafts.com

TITLE:
FIRST AID SAFETY CABINET
ASSEMBLY INSTRUCTIONS

A	CREATED DRAWING	1/11/16	EMK	-
REV.	DESCRIPTION	DATE	NAME	ECN NO.
REVISION LEVEL				

DRAWING NUMBER: FAC-3613	SCALE: NTS	SHEET: 4 OF 4	REVISION: REV A
------------------------------------	---------------	------------------	--------------------