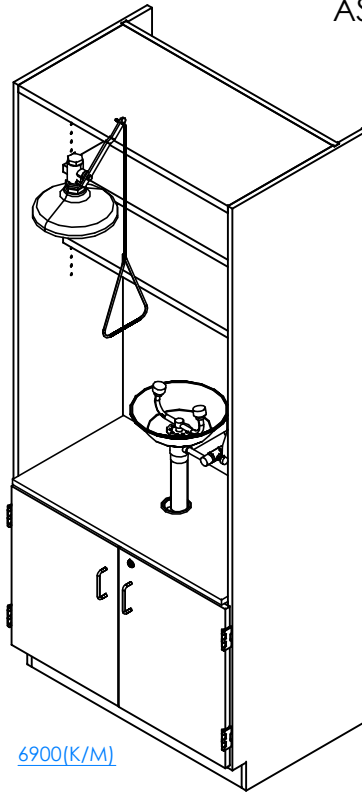
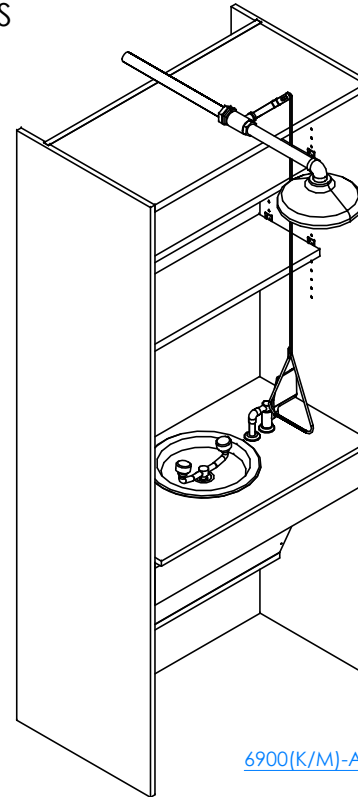


# SHOWER/EYEWASH STATION

6900 & 6900-ADA (OAK OR MAPLE)  
ASSEMBLY INSTRUCTIONS



6900(K/M)



6900(K/M)-ADA

**NOTE:**

1. MODEL VIEWS MAY NOT REPRESENT EXACT MODEL PURCHASED

ALL DIMENSIONS ARE IN INCHES UNLESS NOTED OTHERWISE	DWN BY:	EMK	DATE DWN:	4/9/15
CABINET SQUARENESS = ± .0625	APR BY:		DATE APR:	
FRACTURAL VALUES = ± 1/32"	APR BY:		DATE APR:	
- ALL VALUES ± OVERALL -				

CONFIDENTIAL:  
ALL DESIGN RIGHTS RESERVED  
THE INFORMATION, DATA, DESIGN, AND DRAWINGS EMBODIED IN THIS DOCUMENT AND ALL REPRODUCTIONS THEREOF ARE THE EXCLUSIVE PROPERTY OF DIVERSIFIED WOODCRAFTS, INC.

THESE DOCUMENTS ARE SUPPLIED WITH THE UNDERSTANDING THAT THEY WILL NOT BE DISCLOSED TO THIRD PARTIES WITHOUT WRITTEN CONSENT OF DIVERSIFIED WOODCRAFTS, INC. ANY REPRODUCTION IN PART OR WHOLE WITHOUT WRITTEN CONSENT IS SUBJECT TO LEGAL ACTION.



300 South Krueger Street  
Suring, WI 54174  
diversifiedwoodcrafts.com

TITLE:  
SHOWER/EYEWASH STATION  
ASSEMBLY INSTRUCTIONS

REV.	DESCRIPTION	DATE	NAME	ECN NO.
A	CREATED ASSEMBLY INSTRUCTIONS	4/9/15	EMK	-

REVISION LEVEL

DRAWING NUMBER:	SCALE:	SHEET:	REVISION:
6900 & 6900-ADA	NTS	1 OF 5	REV A

## TOOLS REQUIRED

CONTACT CEMENT

SCREW DRIVER

## ASSEMBLY COMPONENTS

ITEMS INCLUDED	PART #	PART DESCRIPTION	QTY
RUBBER BASE MOLDING	100283	RUBBER BASE MOLDING (SOLD BY FOOT)	13.5
STAINLESS STEEL CORNERS	100057	CORNERS-STAINLESS STEEL,BASE	4
SCREWS-BASE	100064	SCREW,#6X 1/2 PTH SMS SS SCREW	16
SHELF CLIPS	100027	SHELF CLIPS,PLASTIC,5MM PIN	12
FIXTURE	100615	FIXTURE,EW814 WALL MNT. EYEWASH	1
FIXTURE	100614	FIXTURE,ES635 VERTICAL MTD SHOWER	1
**FIXTURE**	226460	FIXTURE,ES643 W/47.5 PULL ROD ADA	1
**FIXTURE**	255714	FIXTURE,EW808CAM EYEWASH FOR ADA UNIT	1

**NOTE:**

- \*\*XX\*\* INDICATES ITEMS USED ONLY FOR THE 6900K-ADA.

ALL DIMENSIONS ARE IN INCHES UNLESS NOTED OTHERWISE	DWN BY: EMK	DATE DWN: 4/9/15
CABINET SQUARENESS = ± .0625	APR BY:	DATE APR:
FRAGMENTAL VALUES = ± 1/32"	APR BY:	DATE APR:
- ALL VALUES ± OVERALL -		

CONFIDENTIAL:  
ALL DESIGN RIGHTS RESERVED  
THE INFORMATION, DATA, DESIGN, AND DRAWINGS EMBODIED IN THIS DOCUMENT AND ALL REPRODUCTIONS THEREOF ARE THE EXCLUSIVE PROPERTY OF DIVERSIFIED WOODCRAFTS, INC.

THESE DOCUMENTS ARE SUPPLIED WITH THE UNDERSTANDING THAT THEY WILL NOT BE DISCLOSED TO THIRD PARTIES WITHOUT WRITTEN CONSENT OF DIVERSIFIED WOODCRAFTS, INC. ANY REPRODUCTION IN PART OR WHOLE WITHOUT WRITTEN CONSENT IS SUBJECT TO LEGAL ACTION.

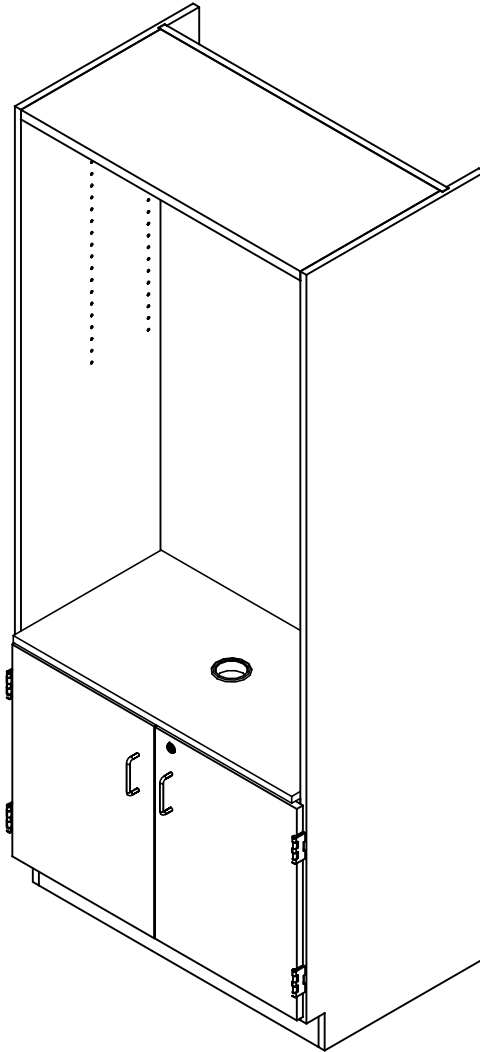


300 South Krueger Street  
Suring, WI 54174  
diversifiedwoodcrafts.com

TITLE:  
SHOWER/EYEWASH STATION  
TOOLS AND ASSEMBLY COMPONENTS

REV.	DESCRIPTION	DATE	NAME	ECN NO.
A	CREATED ASSEMBLY INSTRUCTIONS	4/9/15	EMK	-
REVISION LEVEL				

DRAWING NUMBER: <b>6900 &amp; 6900-ADA</b>	SCALE: NTS	SHEET: 2 OF 5	REVISION: REV A
---	---------------	------------------	--------------------



STEP 1:

- POSITION CABINET IN YOUR DESIRED LOCATION.
- LEVEL THE CABINET.
- ANCHOR TO WALL AS CABINET WILL BE TOP HEAVY.

**\*\*NOTE\*\***  
 CABINET MUST BE LEVEL OR  
 DOORS AND DRAWERS MAY NOT  
 OPEN OR CLOSE CORRECTLY


NOTE:

1.

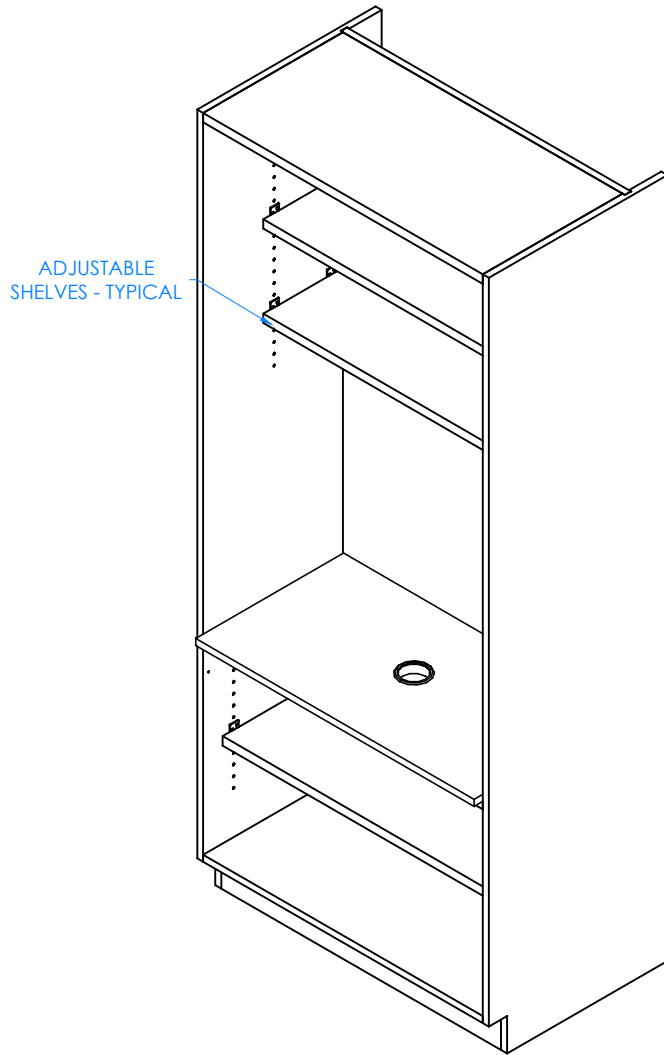
ALL DIMENSIONS ARE IN INCHES UNLESS NOTED OTHERWISE			
CABINET SQUARENESS = ± .0625	DWN BY: EMK	DATE DWN: 4/9/15	
FRACTIONAL VALUES = ± 1/32"	APR BY:	DATE APR:	
- ALL VALUES ± OVERALL -	APR BY:	DATE APR:	

CONFIDENTIAL:  
 ALL DESIGN RIGHTS RESERVED  
 THE INFORMATION, DATA, DESIGN, AND DRAWINGS EMBODIED IN THIS DOCUMENT AND ALL REPRODUCTIONS THEREOF ARE THE EXCLUSIVE PROPERTY OF DIVERSIFIED WOODCRAFTS, INC.

THESE DOCUMENTS ARE SUPPLIED WITH THE UNDERSTANDING THAT THEY WILL NOT BE DISCLOSED TO THIRD PARTIES WITHOUT WRITTEN CONSENT OF DIVERSIFIED WOODCRAFTS, INC. ANY REPRODUCTION IN PART OR WHOLE WITHOUT WRITTEN CONSENT IS SUBJECT TO LEGAL ACTION.

	300 South Krueger Street Suring, WI 54174 diversifiedwoodcrafts.com		
	TITLE: SHOWER/EYEWASH STATION ASSEMBLY INSTRUCTIONS		
DRAWING NUMBER: 6900 & 6900-ADA	SCALE: NTS	SHEET: 3 OF 5	REVISION: REV A

REV.	DESCRIPTION	DATE	NAME	ECN NO.
A	CREATED ASSEMBLY INSTRUCTIONS	4/9/15	EMK	-
REVISION LEVEL				



STEP 2:

- INSERT SHELF CLIPS IN DESIRED LOCATION.
- PLACE SHELVES ON CLIPS, MAKING SURE THEY ARE LEVEL.

NOTE:

1.

DOORS AND HARDWARE REMOVED TO  
SHOW CLARITY

REV.	DESCRIPTION	DATE	NAME	ECN NO.
A	CREATED ASSEMBLY INSTRUCTIONS	4/9/15	EMK	-
REVISION LEVEL				

ALL DIMENSIONS ARE IN INCHES UNLESS NOTED OTHERWISE	DWN BY:	EMK	DATE DWN:	4/9/15
CABINET SQUARENESS = ± .0625	APR BY:		DATE APR:	
FRACTIONAL VALUES = ± 1/32"	APR BY:		DATE APR:	
- ALL VALUES ± OVERALL -				

CONFIDENTIAL:  
ALL DESIGN RIGHTS RESERVED  
THE INFORMATION, DATA, DESIGN, AND DRAWINGS EMBODIED IN THIS DOCUMENT AND ALL REPRODUCTIONS THEREOF ARE THE EXCLUSIVE PROPERTY OF DIVERSIFIED WOODCRAFTS, INC.

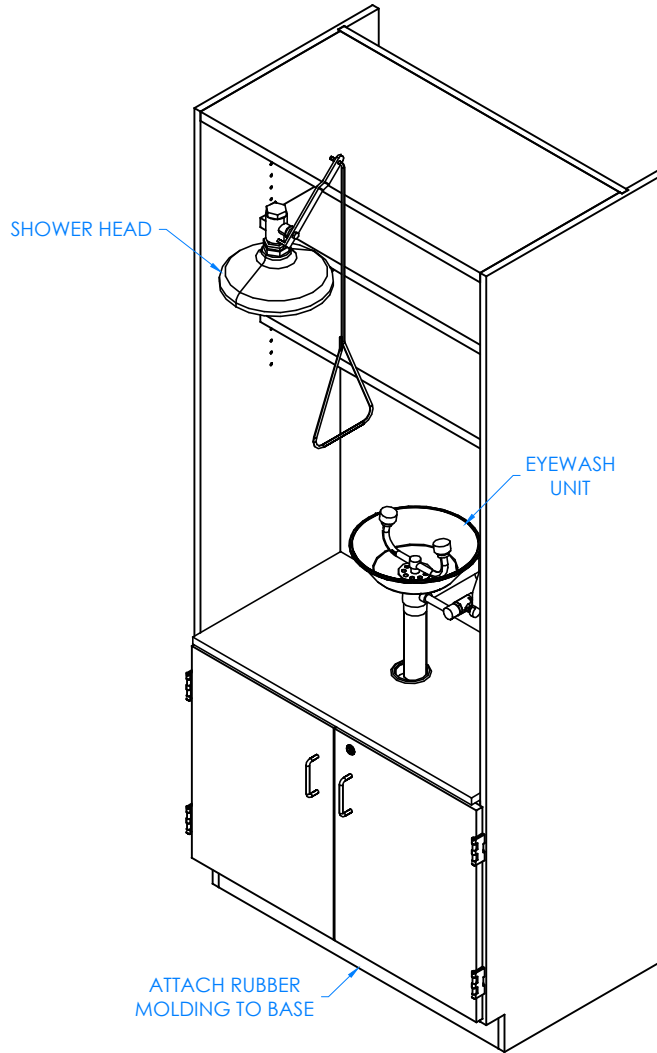
THESE DOCUMENTS ARE SUPPLIED WITH THE UNDERSTANDING THAT THEY WILL NOT BE DISCLOSED TO THIRD PARTIES WITHOUT WRITTEN CONSENT OF DIVERSIFIED WOODCRAFTS, INC. ANY REPRODUCTION IN PART OR WHOLE WITHOUT WRITTEN CONSENT IS SUBJECT TO LEGAL ACTION.



300 South Krueger Street  
Suring, WI 54174  
diversifiedwoodcrafts.com

TITLE:  
SHOWER/EYEWASH STATION  
ASSEMBLY INSTRUCTIONS

DRAWING NUMBER:	SCALE:	SHEET:	REVISION:
6900 & 6900-ADA	NTS	4 OF 5	REV A



STEP 3:

- IF YOU HAVE A 6900K UNIT, ATTACH RUBBER MOLDING TO BASE OF CABINET USING CONTACT CEMENT.
- SCREW STAINLESS STEEL CORNER BRACKETS ON EACH CORNER OVER BASE MOLDING WITH HARDWARE PROVIDED.
- ATTACH SHOWER HEAD AND EYEWASH UNIT.

COMPLETE UNIT SHOWN

NOTE:

1. ALL PLUMBING NEEDS TO BE DONE BY A LICENSED PLUMBER PER LOCAL CODE.

REV.	DESCRIPTION	DATE	NAME	ECN NO.
A	CREATED ASSEMBLY INSTRUCTIONS	4/9/15	EMK	-
REVISION LEVEL				

ALL DIMENSIONS ARE IN INCHES UNLESS NOTED OTHERWISE	DWN BY:	EMK	DATE DWN:	4/9/15
CABINET SQUARENESS = ± .0625	APR BY:		DATE APR:	
FRACTURAL VALUES = ± 1/32"	APR BY:		DATE APR:	
- ALL VALUES ± OVERALL -				

CONFIDENTIAL:  
 ALL DESIGN RIGHTS RESERVED  
 THE INFORMATION, DATA, DESIGN, AND DRAWINGS EMBODIED IN THIS DOCUMENT AND ALL REPRODUCTIONS THEREOF ARE THE EXCLUSIVE PROPERTY OF DIVERSIFIED WOODCRAFTS, INC.

THESE DOCUMENTS ARE SUPPLIED WITH THE UNDERSTANDING THAT THEY WILL NOT BE DISCLOSED TO THIRD PARTIES WITHOUT WRITTEN CONSENT OF DIVERSIFIED WOODCRAFTS, INC. ANY REPRODUCTION IN PART OR WHOLE WITHOUT WRITTEN CONSENT IS SUBJECT TO LEGAL ACTION.



300 South Krueger Street  
 Suring, WI 54174  
 diversifiedwoodcrafts.com

TITLE:  
 SHOWER/EYEWASH STATION  
 ASSEMBLY INSTRUCTIONS

DRAWING NUMBER:	SCALE:	SHEET:	REVISION:
6900 & 6900-ADA	NTS	5 OF 5	REV A