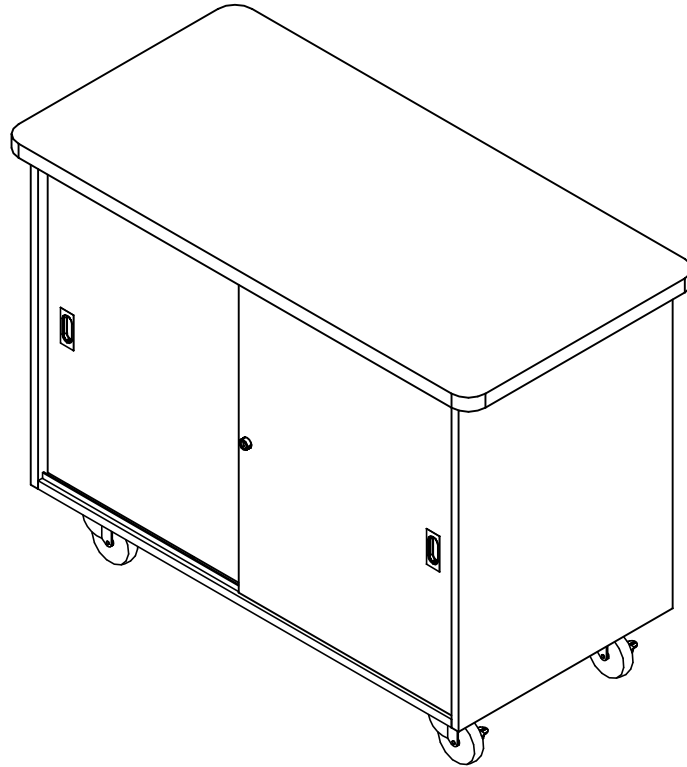


# MOBILE LAB UNITS

4101, 4401, 4741, 4751, 4701, 4901, 5201, & 5301 SERIES (OAK OR MAPLE)  
ASSEMBLY INSTRUCTIONS



**NOTE:**

1. MODEL VIEWS MAY NOT REPRESENT EXACT MODEL PURCHASED

ALL DIMENSIONS ARE IN INCHES UNLESS NOTED OTHERWISE	DWN BY: EMK	DATE DWN: 1/29/18
CABINET SQUARENESS = ± .0625	APR BY:	DATE APR:
FRACTURAL VALUES = ± 1/32"	APR BY:	DATE APR:
- ALL VALUES ± OVERALL -		

CONFIDENTIAL:  
ALL DESIGN RIGHTS RESERVED  
THE INFORMATION, DATA, DESIGN, AND DRAWINGS EMBODIED IN THIS DOCUMENT AND ALL REPRODUCTIONS THEREOF ARE THE EXCLUSIVE PROPERTY OF DIVERSIFIED WOODCRAFTS, INC.

THESE DOCUMENTS ARE SUPPLIED WITH THE UNDERSTANDING THAT THEY WILL NOT BE DISCLOSED TO THIRD PARTIES WITHOUT WRITTEN CONSENT OF DIVERSIFIED WOODCRAFTS, INC. ANY REPRODUCTION IN PART OR WHOLE WITHOUT WRITTEN CONSENT IS SUBJECT TO LEGAL ACTION.



300 South Krueger Street  
Suring, WI 54174  
diversifiedwoodcrafts.com

TITLE:  
MOBILE LAB UNITS  
ASSEMBLY INSTRUCTIONS

REV.	DESCRIPTION	DATE	NAME	ECN NO.
A	CREATED ASSEMBLY INSTRUCTIONS	1/29/18	EMK	-

REVISION LEVEL

DRAWING NUMBER: MOBILE LAB UNITS	SCALE: NTS	SHEET: 1 OF 7	REVISION: REV A
-------------------------------------	---------------	------------------	--------------------

## TOOLS REQUIRED

1/2" WRENCH
ADJUSTABLE PLIERS
SCREW DRIVER

## ASSEMBLY COMPONENTS

ITEMS INCLUDED	PART #	PART DESCRIPTION	QTY
CASTERS	100081	CASTER,4IN SWIVEL TOP PLATE, W/BRAKE	4
CASTER HARDWARE KIT	206509	CASTER,ASSY,HDWRE,16-SCREWS, 16-NUTS	1
**SHELF CLIPS**	100027	SHELF CLIPS,PLASTIC,5MM PIN	VARIES
**TOTES**	100135	TOTE TRAY, T-188	VARIES
**MICROSCOPE DIVIDERS**	100995	MICROSCOPE DIVIDER,ZINC	VARIES

**NOTE:**

- COMPONENTS VARY WITH STYLE OF MOBILE CABINET PURCHASED.
- \*\*XX\*\* INDICATES ITEMS THAT MAY NOT COME WITH UNIT (DEPENDING ON MODEL PURCHASED).

ALL DIMENSIONS ARE IN INCHES UNLESS NOTED OTHERWISE	DWN BY: EMK	DATE DWN: 1/29/18
CABINET SQUARENESS = ± .0625	APR BY:	DATE APR:
FRACTIONAL VALUES = ± 1/32"	APR BY:	DATE APR:
- ALL VALUES ± OVERALL -		

CONFIDENTIAL:  
ALL DESIGN RIGHTS RESERVED  
THE INFORMATION, DATA, DESIGN, AND DRAWINGS EMBODIED IN THIS DOCUMENT AND ALL REPRODUCTIONS THEREOF ARE THE EXCLUSIVE PROPERTY OF DIVERSIFIED WOODCRAFTS, INC.

THESE DOCUMENTS ARE SUPPLIED WITH THE UNDERSTANDING THAT THEY WILL NOT BE DISCLOSED TO THIRD PARTIES WITHOUT WRITTEN CONSENT OF DIVERSIFIED WOODCRAFTS, INC. ANY REPRODUCTION IN PART OR WHOLE WITHOUT WRITTEN CONSENT IS SUBJECT TO LEGAL ACTION.



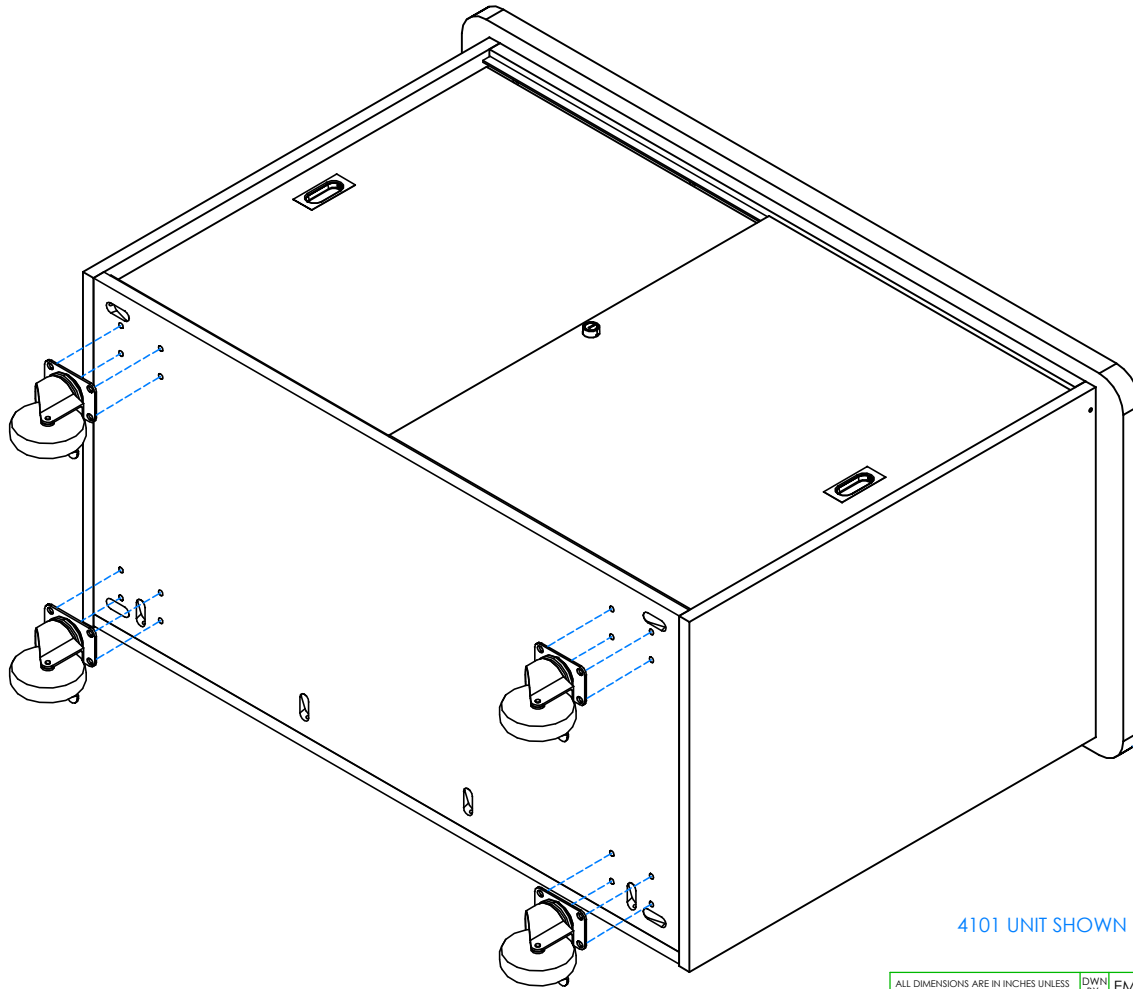
300 South Krueger Street  
Suring, WI 54174  
diversifiedwoodcrafts.com

TITLE:  
MOBILE LAB UNITS  
TOOLS AND ASSEMBLY COMPONENTS

REV.	DESCRIPTION	DATE	NAME	ECN NO.
A	CREATED ASSEMBLY INSTRUCTIONS	1/29/18	EMK	-

REVISION LEVEL

DRAWING NUMBER:	SCALE:	SHEET:	REVISION:
MOBILE LAB UNITS	NTS	2 OF 7	REV A



STEP 1:

- IF YOUR CABINET COMES WITH CASTERS INSTALLED, SKIP TO STEP 2.
- LAY CABINET ON ITS BACK.
- ATTACH CASTERS FROM INSIDE CABINET USING HARDWARE PROVIDED.

**\*\*NOTE\*\***  
BE SURE CABINET IS ON  
A CLEAN SURFACE TO  
PREVENT DAMAGE

4101 UNIT SHOWN

**NOTE:**

1. TO REMOVE SLIDING DOORS - SLIDE DOORS TO ONE SIDE. REMOVE EXPOSED SCREWS FROM TOP RAIL. SLIDE DOORS TO OPPOSITE SIDE AND REMOVE REMAINING SCREWS. TILT DOORS AND RAIL OUT. REPEAT STEPS ABOVE IN REVERSE TO PUT DOORS BACK ON.

ALL DIMENSIONS ARE IN INCHES UNLESS NOTED OTHERWISE	DWN BY: EMK	DATE DWN: 1/29/18
CABINET SQUARENESS = ± .0625	APR BY:	DATE APR:
FRACTIGNAL VALUES = ± 1/32"	APR BY:	DATE APR:
- ALL VALUES ± OVERALL -		

CONFIDENTIAL:  
ALL DESIGN RIGHTS RESERVED  
THE INFORMATION, DATA, DESIGN, AND DRAWINGS EMBODIED IN THIS DOCUMENT AND ALL REPRODUCTIONS THEREOF ARE THE EXCLUSIVE PROPERTY OF DIVERSIFIED WOODCRAFTS, INC.

THESE DOCUMENTS ARE SUPPLIED WITH THE UNDERSTANDING THAT THEY WILL NOT BE DISCLOSED TO THIRD PARTIES WITHOUT WRITTEN CONSENT OF DIVERSIFIED WOODCRAFTS, INC. ANY REPRODUCTION IN PART OR WHOLE WITHOUT WRITTEN CONSENT IS SUBJECT TO LEGAL ACTION.

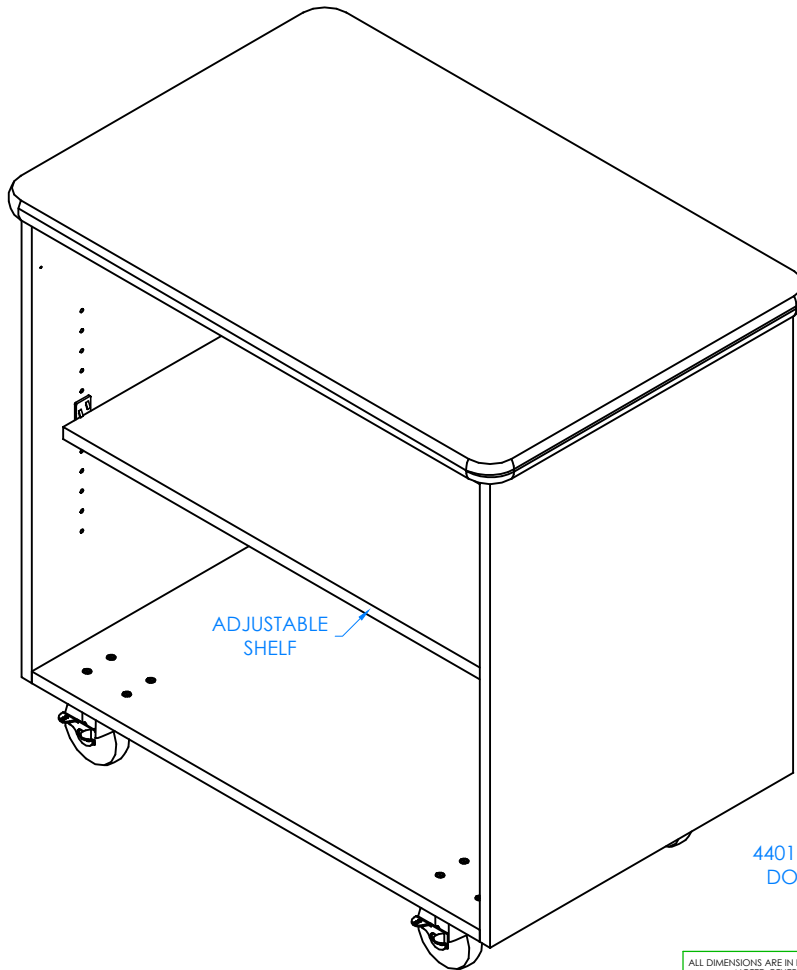


300 South Krueger Street  
Suring, WI 54174  
diversifiedwoodcrafts.com

TITLE:  
MOBILE LAB UNITS  
ASSEMBLY INSTRUCTIONS

REV.	DESCRIPTION	DATE	NAME	ECN NO.
A	CREATED ASSEMBLY INSTRUCTIONS	1/29/18	EMK	-
REVISION LEVEL				

DRAWING NUMBER:	SCALE:	SHEET:	REVISION:
MOBILE LAB UNITS	NTS	3 OF 7	REV A



4401 UNIT SHOWN WITH ADJUSTABLE SHELF  
DOORS AND HARDWARE REMOVED TO  
SHOW CLARITY

STEP 2:

- TIP CABINET UP.
- IF YOUR UNIT DOES NOT HAVE AN ADJUSTABLE SHELF, SKIP TO STEP 3.
- INSERT SHELF CLIPS IN DESIRED LOCATION.
- PLACE SHELF ON CLIPS, MAKING SURE IT IS LEVEL.

NOTE:

1. TO REMOVE SLIDING DOORS - SLIDE DOORS TO ONE SIDE. REMOVE EXPOSED SCREWS FROM TOP RAIL. SLIDE DOORS TO OPPOSITE SIDE AND REMOVE REMAINING SCREWS. TILT DOORS AND RAIL OUT. REPEAT STEPS ABOVE IN REVERSE TO PUT DOORS BACK ON.

REV.	DESCRIPTION	DATE	NAME	ECN NO.
A	CREATED ASSEMBLY INSTRUCTIONS	1/29/18	EMK	-
REVISION LEVEL				

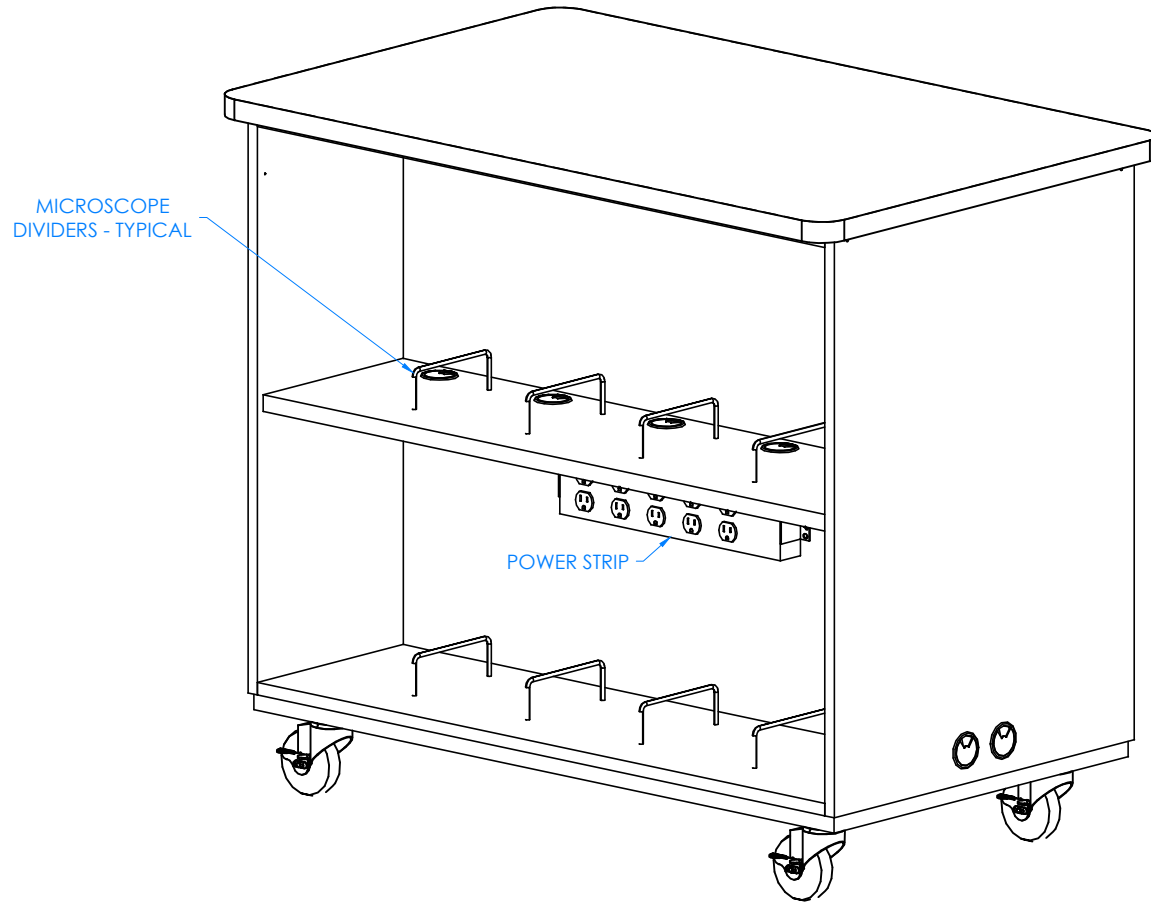
ALL DIMENSIONS ARE IN INCHES UNLESS NOTED OTHERWISE			
CABINET SQUARENESS = ± .0625	DWN BY: EMK	DATE DWN: 1/29/18	
FRACTIONAL VALUES = ± 1/32"	APR BY:	DATE APR:	
- ALL VALUES ± OVERALL -	APR BY:	DATE APR:	
<p>CONFIDENTIAL: ALL DESIGN RIGHTS RESERVED THE INFORMATION, DATA, DESIGN, AND DRAWINGS EMBODIED IN THIS DOCUMENT AND ALL REPRODUCTIONS THEREOF ARE THE EXCLUSIVE PROPERTY OF DIVERSIFIED WOODCRAFTS, INC.</p> <p>THESE DOCUMENTS ARE SUPPLIED WITH THE UNDERSTANDING THAT THEY WILL NOT BE DISCLOSED TO THIRD PARTIES WITHOUT WRITTEN CONSENT OF DIVERSIFIED WOODCRAFTS, INC. ANY REPRODUCTION IN PART OR WHOLE WITHOUT WRITTEN CONSENT IS SUBJECT TO LEGAL ACTION.</p>			



300 South Krueger Street  
Suring, WI 54174  
diversifiedwoodcrafts.com

TITLE:  
MOBILE LAB UNITS  
ASSEMBLY INSTRUCTIONS

DRAWING NUMBER:	SCALE:	SHEET:	REVISION:
MOBILE LAB UNITS	NTS	4 OF 7	REV A



STEP 3:

- IF YOUR UNIT DOES NOT HAVE MICROSCOPE DIVIDERS, SKIP TO STEP 4.
- ATTACH MICROSCOPE DIVIDERS TO SHELF.
- PLUG IN POWER STRIP TO OUTLET (4741).

4701 UNIT SHOWN WITH MICROSCOPE DIVIDERS  
DOORS AND HARDWARE REMOVED TO SHOW  
CLARITY

NOTE:

1. TO REMOVE SLIDING DOORS - SLIDE DOORS TO ONE SIDE. REMOVE EXPOSED SCREWS FROM TOP RAIL. SLIDE DOORS TO OPPOSITE SIDE AND REMOVE REMAINING SCREWS. TILT DOORS AND RAIL OUT. REPEAT STEPS ABOVE IN REVERSE TO PUT DOORS BACK ON.

ALL DIMENSIONS ARE IN INCHES UNLESS NOTED OTHERWISE	DWN BY: EMK	DATE DWN: 1/29/18
CABINET SQUARENESS = ± .0625	APR BY:	DATE APR:
FRACTURAL VALUES = ± 1/32"	APR BY:	DATE APR:
- ALL VALUES ± OVERALL -		

CONFIDENTIAL:  
ALL DESIGN RIGHTS RESERVED  
THE INFORMATION, DATA, DESIGN, AND DRAWINGS EMBODIED IN THIS DOCUMENT AND ALL REPRODUCTIONS THEREOF ARE THE EXCLUSIVE PROPERTY OF DIVERSIFIED WOODCRAFTS, INC.

THESE DOCUMENTS ARE SUPPLIED WITH THE UNDERSTANDING THAT THEY WILL NOT BE DISCLOSED TO THIRD PARTIES WITHOUT WRITTEN CONSENT OF DIVERSIFIED WOODCRAFTS, INC. ANY REPRODUCTION IN PART OR WHOLE WITHOUT WRITTEN CONSENT IS SUBJECT TO LEGAL ACTION.



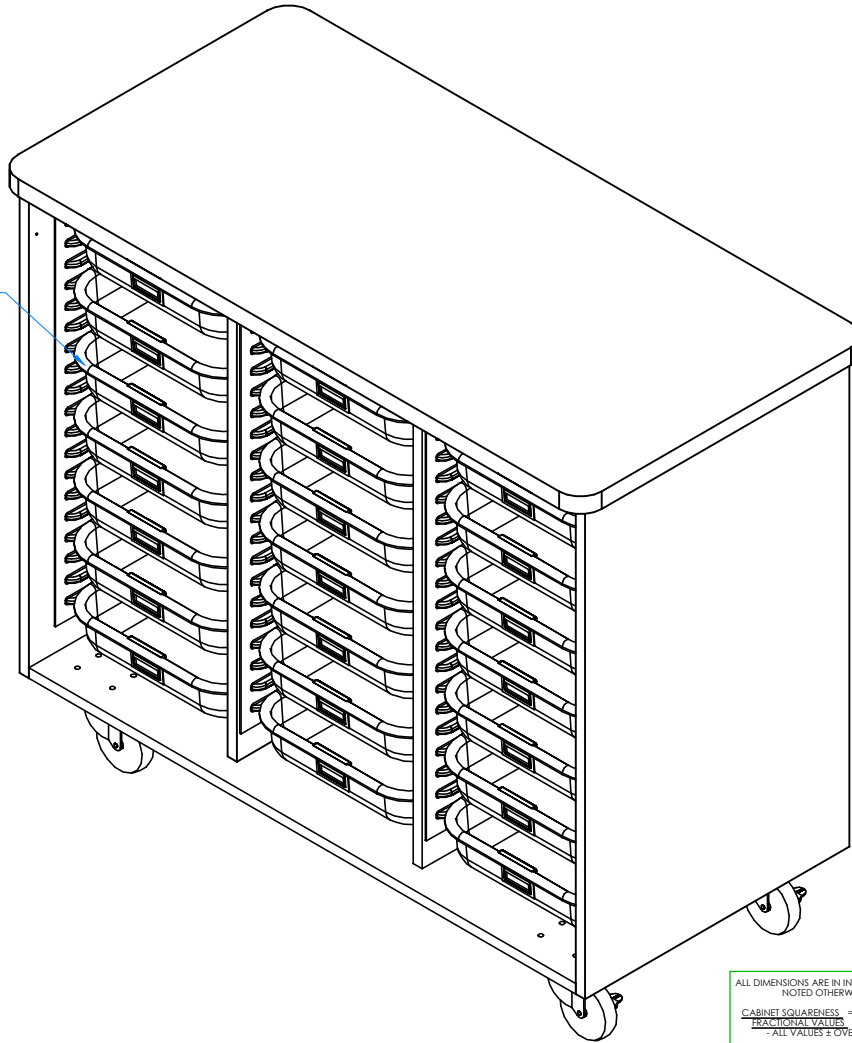
300 South Krueger Street  
Suring, WI 54174  
diversifiedwoodcrafts.com

TITLE:  
MOBILE LAB UNITS  
ASSEMBLY INSTRUCTIONS

REV.	DESCRIPTION	DATE	NAME	ECN NO.
A	CREATED ASSEMBLY INSTRUCTIONS	1/29/18	EMK	-
REVISION LEVEL				

DRAWING NUMBER:	SCALE:	SHEET:	REVISION:
MOBILE LAB UNITS	NTS	5 OF 7	REV A

TOTE TRAYS - TYPICAL



STEP 4:

- IF YOUR UNIT DOES NOT HAVE TOTE TRAYS, SKIP TO STEP 5.
- PLACE TOTE TRAYS IN DESIRED LOCATION.

4901 UNIT SHOWN WITH TOTE TRAYS  
DOORS AND HARDWARE REMOVED TO  
SHOW CLARITY

NOTE:

1. TO REMOVE SLIDING DOORS - SLIDE DOORS TO ONE SIDE. REMOVE EXPOSED SCREWS FROM TOP RAIL. SLIDE DOORS TO OPPOSITE SIDE AND REMOVE REMAINING SCREWS. TILT DOORS AND RAIL OUT. REPEAT STEPS ABOVE IN REVERSE TO PUT DOORS BACK ON.

REV.	DESCRIPTION	DATE	NAME	ECN NO.
A	CREATED ASSEMBLY INSTRUCTIONS	1/29/18	EMK	-
REVISION LEVEL				

ALL DIMENSIONS ARE IN INCHES UNLESS NOTED OTHERWISE	DWN BY: EMK	DATE DWN: 1/29/18
CABINET SQUARENESS = ± .0625	APR BY:	DATE APR:
FRACTIONAL VALUES = ± 1/32"	APR BY:	DATE APR:
- ALL VALUES ± OVERALL -		

CONFIDENTIAL:  
ALL DESIGN RIGHTS RESERVED  
THE INFORMATION, DATA, DESIGN, AND DRAWINGS EMBODIED IN THIS DOCUMENT AND ALL REPRODUCTIONS THEREOF ARE THE EXCLUSIVE PROPERTY OF DIVERSIFIED WOODCRAFTS, INC.

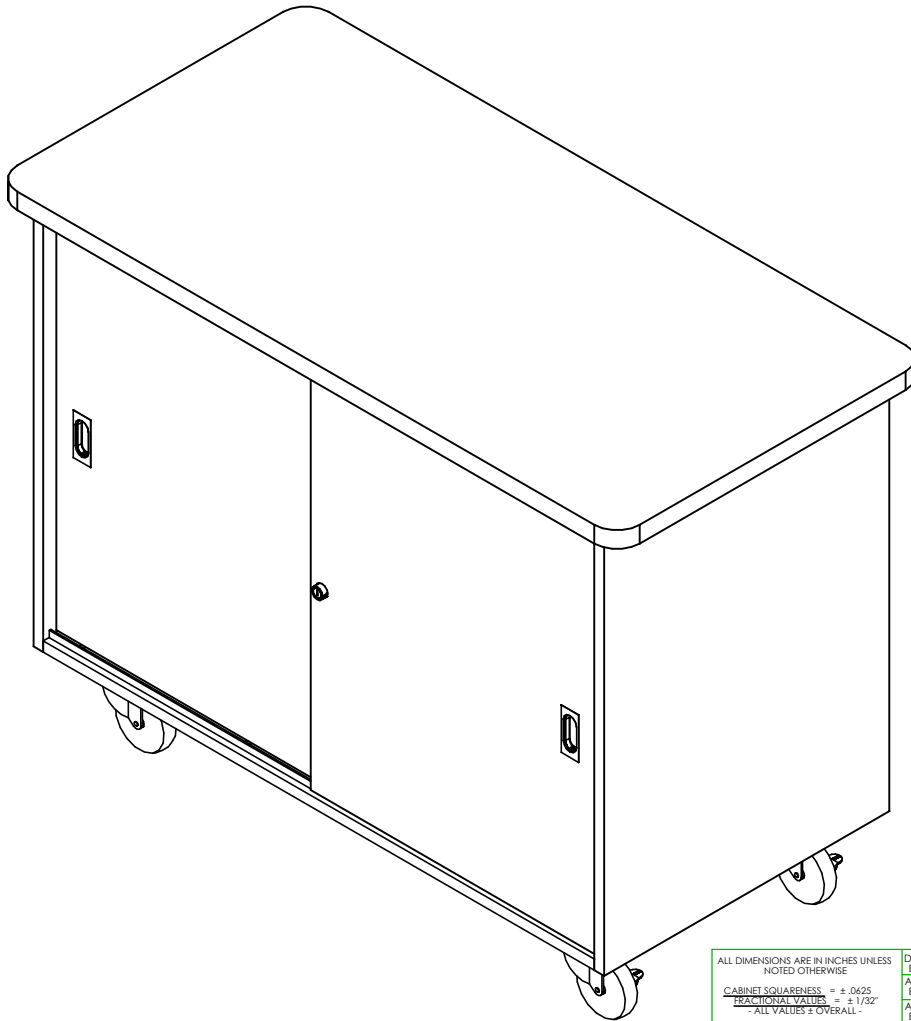
THESE DOCUMENTS ARE SUPPLIED WITH THE UNDERSTANDING THAT THEY WILL NOT BE DISCLOSED TO THIRD PARTIES WITHOUT WRITTEN CONSENT OF DIVERSIFIED WOODCRAFTS, INC. ANY REPRODUCTION IN PART OR WHOLE WITHOUT WRITTEN CONSENT IS SUBJECT TO LEGAL ACTION.



300 South Krueger Street  
Suring, WI 54174  
diversifiedwoodcrafts.com

TITLE:  
MOBILE LAB UNITS  
ASSEMBLY INSTRUCTIONS

DRAWING NUMBER:	SCALE:	SHEET:	REVISION:
MOBILE LAB UNITS	NTS	6 OF 7	REV A



STEP 5:  
SET CABINET IN DESIRED LOCATION.

COMPLETE UNIT SHOWN

**NOTE:**


1. TO REMOVE SLIDING DOORS - SLIDE DOORS TO ONE SIDE. REMOVE EXPOSED SCREWS FROM TOP RAIL. SLIDE DOORS TO OPPOSITE SIDE AND REMOVE REMAINING SCREWS. TILT DOORS AND RAIL OUT. REPEAT STEPS ABOVE IN REVERSE TO PUT DOORS BACK ON.

REV.	DESCRIPTION	DATE	NAME	ECN NO.
A	CREATED ASSEMBLY INSTRUCTIONS	1/29/18	EMK	-
REVISION LEVEL				

ALL DIMENSIONS ARE IN INCHES UNLESS NOTED OTHERWISE	DWN BY: EMK	DATE DWN: 1/29/18
CABINET SQUARENESS = ± .0625	APR BY:	DATE APR:
FRACTIONAL VALUES = ± 1/32"	APR BY:	DATE APR:
- ALL VALUES ± OVERALL -		

CONFIDENTIAL:  
ALL DESIGN RIGHTS RESERVED  
THE INFORMATION, DATA, DESIGN, AND DRAWINGS EMBODIED IN THIS DOCUMENT AND ALL REPRODUCTIONS THEREOF ARE THE EXCLUSIVE PROPERTY OF DIVERSIFIED WOODCRAFTS, INC.

THESE DOCUMENTS ARE SUPPLIED WITH THE UNDERSTANDING THAT THEY WILL NOT BE DISCLOSED TO THIRD PARTIES WITHOUT WRITTEN CONSENT OF DIVERSIFIED WOODCRAFTS, INC. ANY REPRODUCTION IN PART OR WHOLE WITHOUT WRITTEN CONSENT IS SUBJECT TO LEGAL ACTION.

	300 South Krueger Street Suring, WI 54174 diversifiedwoodcrafts.com		
	TITLE: <b>MOBILE LAB UNITS                  ASSEMBLY INSTRUCTIONS</b>		
DRAWING NUMBER: <b>MOBILE LAB UNITS</b>	SCALE: NTS	SHEET: 7 OF 7	REVISION: REV A