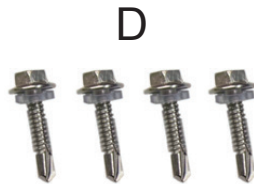


## ASSEMBLY INSTRUCTIONS SINGLE OVER SHELVES

250504 36"W  
250505 48"W  
250506 60"W  
250507 72"W

PARTS INCLUDED		
Item	Item #	Qty
A	Shelf	1
B	Uprights	*2

HARDWARE INCLUDED			
Item	Item #	Qty	Description
C	Set Screw	**4	M8 x 8mm Allen Set Screws
D	Self-Tapping Screw	4	#10-16 x 3/4" Self-Tapping Screw
E	Bolt	4	1/4-20 x 1/2" Hex Head Bolt
F	Nut	4	1/4-20 Nut
G	Allen Wrench	1	4mm Allen Wrench

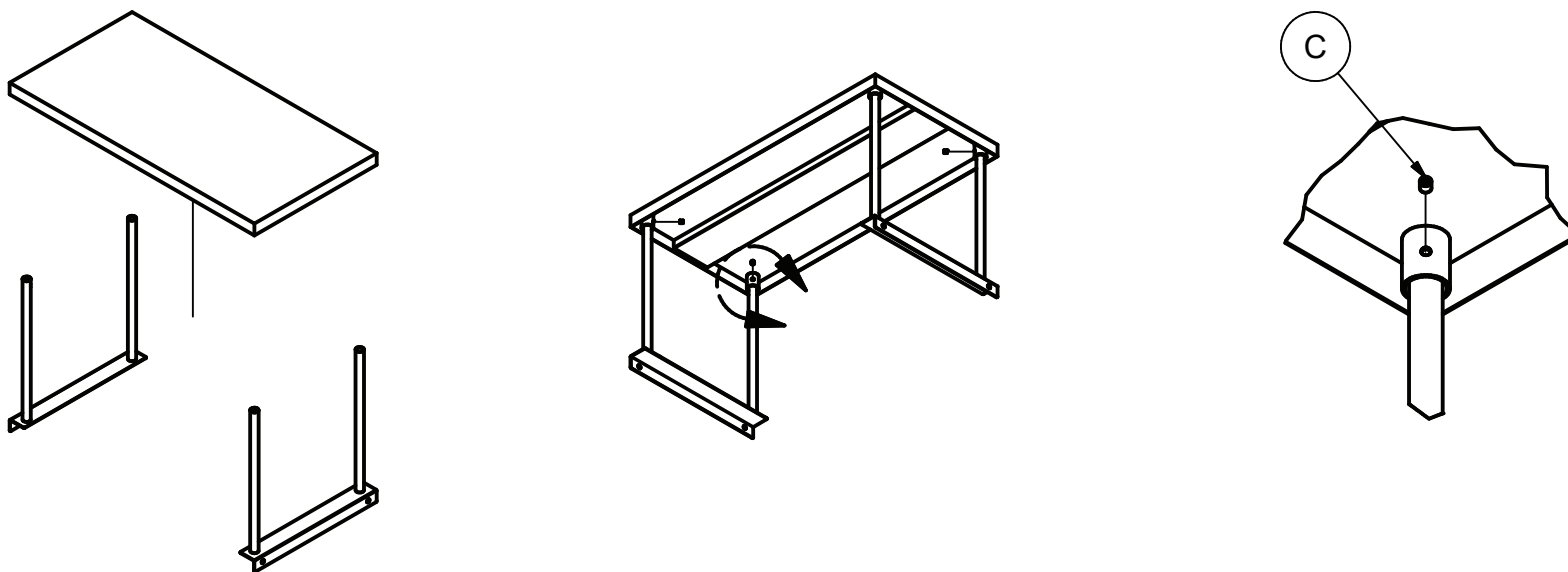


\*\*Note: 96" has qty of  
6 Set Screws

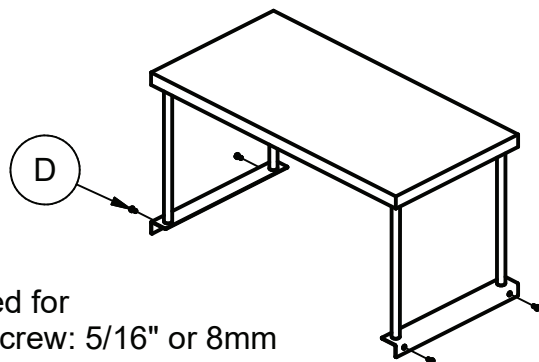


Turn over page for step by step instructions

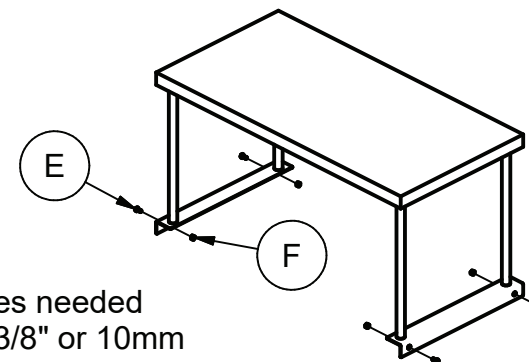
1. Confirm all parts/hardware are included
2. Place shelf on uprights and tighten set screws with provided allen wrench



3. Place the over shelf on the table with the angle brackets of the base resting on the top and outside of the table. Find the location of the shelf on the table where you wish the shelf to remain as it cannot be moved.
4. Use included hardware to attach the over shelf on the table edge. This can be accomplished by using the self-tapping screws or nuts and bolts that are included. If you choose the nuts and bolts, pilot holes must first be drilled. The minimum diameter for the pilot hole to allow the bolt to pass thru is 1/4" or 6mm. The maximum diameter is 5/16" or 8mm.



Socket needed for self-tapping screw: 5/16" or 8mm



Sockets or wrenches needed for nuts and bolts: 3/8" or 10mm