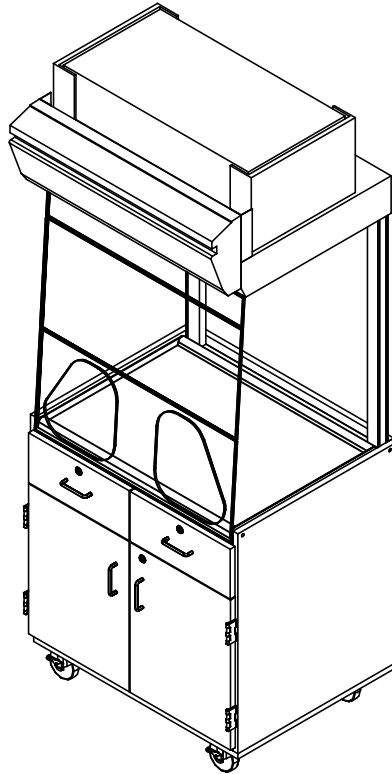


MOBILE FUME HOOD STATION

1800K ASSEMBLY INSTRUCTIONS



NOTE:

1. MODEL VIEWS MAY NOT REPRESENT EXACT MODEL PURCHASED

ALL DIMENSIONS ARE IN INCHES UNLESS NOTED OTHERWISE
 CABINET SQUARENESS = ± .0625
 PRACTICAL VALUES = ± 1/32"
 ALL VALUES ± OVERALL

DWN BY:	EMK	DATE DWN:	3/4/14
APR BY:		DATE APR:	
APR BY:		DATE APR:	

CONFIDENTIAL:
 ALL DESIGN RIGHTS RESERVED
 THE INFORMATION, DATA, DESIGN, AND DRAWINGS EMBODIED IN THIS DOCUMENT AND ALL REPRODUCTIONS THEREOF ARE THE EXCLUSIVE PROPERTY OF DIVERSIFIED WOODCRAFTS, INC.

THESE DOCUMENTS ARE SUPPLIED WITH THE UNDERSTANDING THAT THEY WILL NOT BE DISCLOSED TO THIRD PARTIES WITHOUT WRITTEN CONSENT OF DIVERSIFIED WOODCRAFTS, INC. ANY REPRODUCTION IN PART OR WHOLE WITHOUT WRITTEN CONSENT IS SUBJECT TO LEGAL ACTION.



300 South Krueger Street
 Suring, WI 54174
 diversifiedwoodcrafts.com

TITLE:
**MOBILE FUME HOOD STATION
 ASSEMBLY INSTRUCTIONS**

REV.	DESCRIPTION	DATE	NAME	ECN NO.
A	CREATED ASSEMBLY INSTRUCTIONS	3/4/14	EMK	-
REVISION LEVEL				

DRAWING NUMBER:	1800K	SCALE:	NTS	SHEET:	1 OF 5	REVISION:	REV A
-----------------	-------	--------	-----	--------	--------	-----------	-------

TOOLS REQUIRED

SCREW DRIVER

ASSEMBLY COMPONENTS

ITEMS INCLUDED	PART #	PART DESCRIPTION	QTY
CABINET	N/A	CABINET WITH CASTERS - 32.375"W X 27.25"D X 36"H	1
FUME HOOD	240958	FUME HOOD FOR MOBILE 1800 SERIES	1
SCREWS - FUME HOOD	236008	SCREW, THUMB, SS M8 38MM KNURLED	4

NOTE:

1.

ALL DIMENSIONS ARE IN INCHES UNLESS NOTED OTHERWISE
 CABINET SQUARENESS = ± .0625
 PRACTICAL VALUES = ± 1/32"
 - ALL VALUES ± OVERALL -

DWN BY:	EMK	DATE DWN:	3/4/14
APR BY:		DATE APR:	
APR BY:		DATE APR:	

CONFIDENTIAL:
 ALL DESIGN RIGHTS RESERVED
 THE INFORMATION, DATA, DESIGN, AND DRAWINGS EMBODIED IN THIS DOCUMENT AND ALL REPRODUCTIONS THEREOF ARE THE EXCLUSIVE PROPERTY OF DIVERSIFIED WOODCRAFTS, INC.

THESE DOCUMENTS ARE SUPPLIED WITH THE UNDERSTANDING THAT THEY WILL NOT BE DISCLOSED TO THIRD PARTIES WITHOUT WRITTEN CONSENT OF DIVERSIFIED WOODCRAFTS, INC. ANY REPRODUCTION IN PART OR WHOLE WITHOUT WRITTEN CONSENT IS SUBJECT TO LEGAL ACTION.



300 South Krueger Street
 Suring, WI 54174
 diversifiedwoodcrafts.com

TITLE:
 MOBILE FUME HOOD STATION
 TOOLS AND ASSEMBLY INSTRUCTIONS

REV.	DESCRIPTION	DATE	NAME	ECN NO.
A	CREATED ASSEMBLY INSTRUCTIONS	3/4/14	EMK	-

REVISION LEVEL

DRAWING NUMBER:

1800K

SCALE:

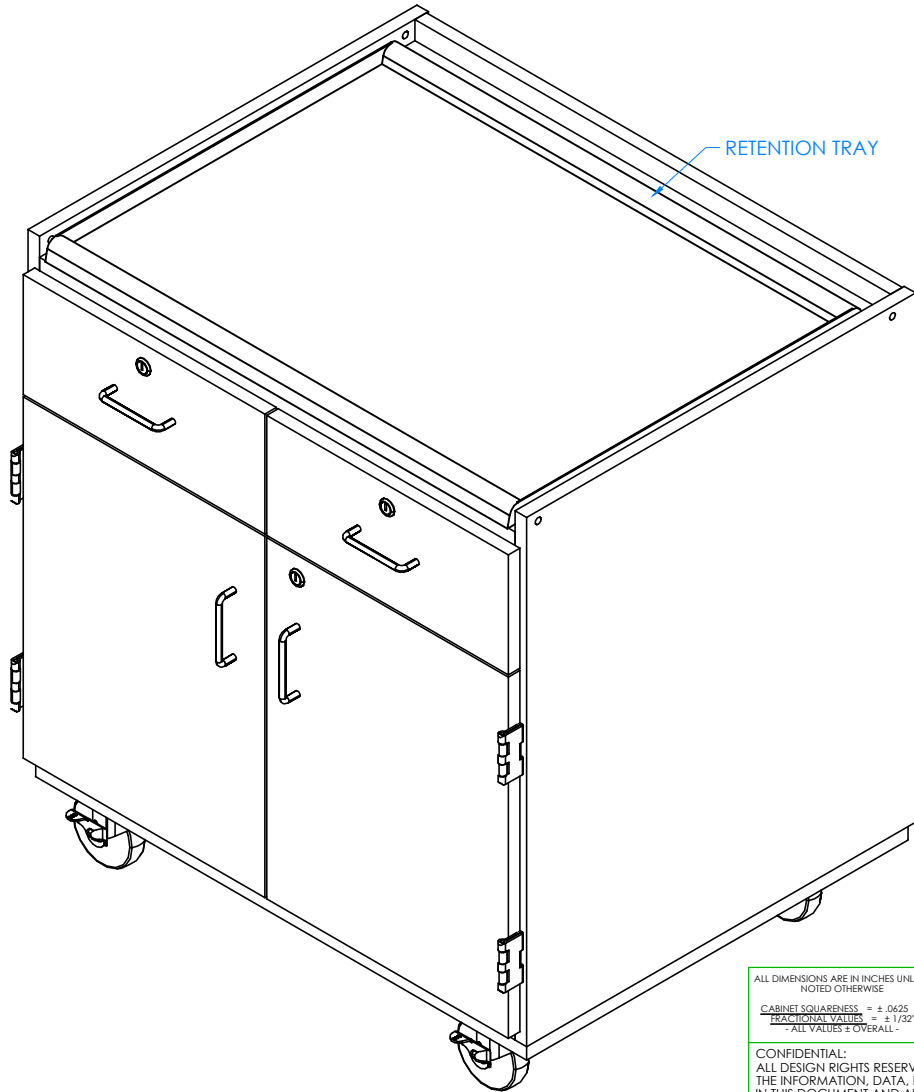
NTS

SHEET:

2 OF 5

REVISION:

REV A



STEP 1:

- PLACE FUME HOOD RETENTION TRAY ON TOP OF CABINET FIRST TO INSURE PROPER ALIGNMENT.

NOTE:

1.

ALL DIMENSIONS ARE IN INCHES UNLESS NOTED OTHERWISE
 CABINET SQUARENESS = ± .0625
 PRACTICAL VALUES = ± 1/32"
 - ALL VALUES ± OVERALL -

DWN BY:	EMK	DATE DWN:	3/4/14
APR BY:		DATE APR:	
APR BY:		DATE APR:	

CONFIDENTIAL:
 ALL DESIGN RIGHTS RESERVED
 THE INFORMATION, DATA, DESIGN, AND DRAWINGS EMBODIED IN THIS DOCUMENT AND ALL REPRODUCTIONS THEREOF ARE THE EXCLUSIVE PROPERTY OF DIVERSIFIED WOODCRAFTS, INC.

THESE DOCUMENTS ARE SUPPLIED WITH THE UNDERSTANDING THAT THEY WILL NOT BE DISCLOSED TO THIRD PARTIES WITHOUT WRITTEN CONSENT OF DIVERSIFIED WOODCRAFTS, INC. ANY REPRODUCTION IN PART OR WHOLE WITHOUT WRITTEN CONSENT IS SUBJECT TO LEGAL ACTION.

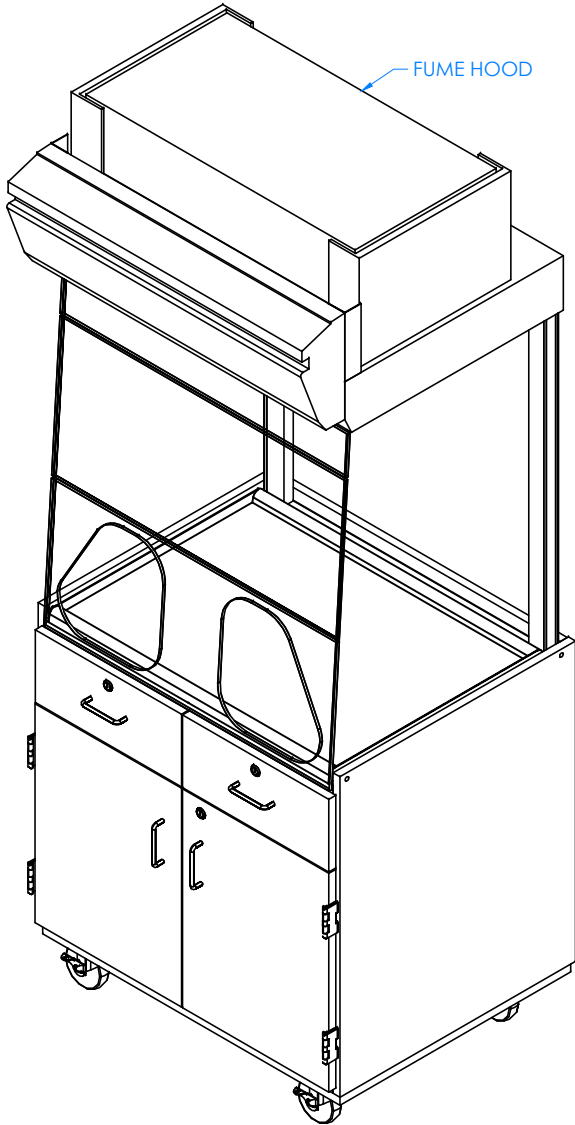


300 South Krueger Street
 Suring, WI 54174
 diversifiedwoodcrafts.com

TITLE:
 MOBILE FUME HOOD STATION
 ASSEMBLY INSTRUCTIONS

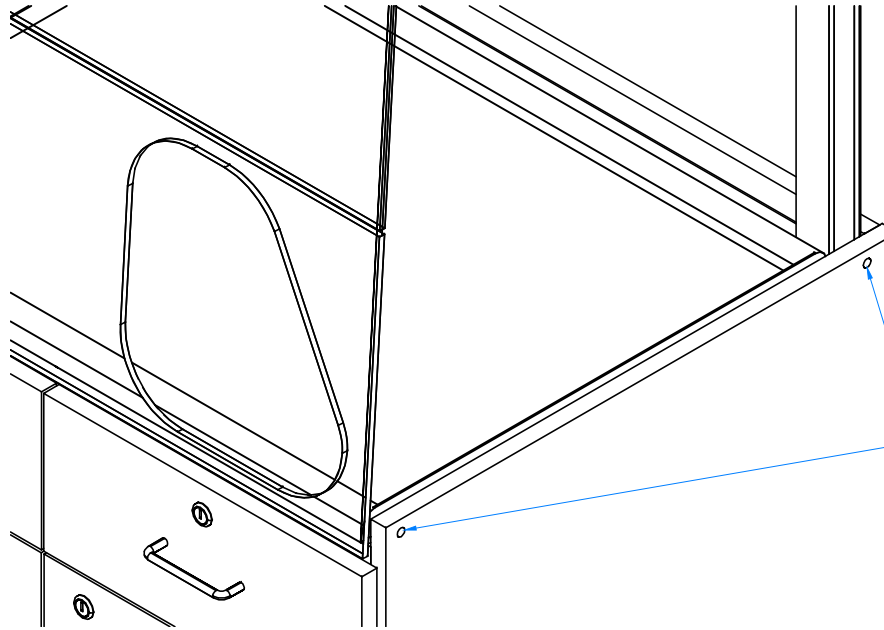
REV.	DESCRIPTION	DATE	NAME	ECN NO.
A	CREATED ASSEMBLY INSTRUCTIONS	3/4/14	EMK	-
REVISION LEVEL				

DRAWING NUMBER:	1800K	SCALE:	NTS	SHEET:	3 OF 5	REVISION:	REV A
-----------------	-------	--------	-----	--------	--------	-----------	-------



STEP 2:

- ASSEMBLE FUME HOOD PER ENCLOSED ASSEMBLY INSTRUCTIONS CD, AND/OR ASSEMBLY INSTRUCTIONS WITH THE FUME HOOD.
- ONCE INSTALLED, ATTACH FUME HOOD ASSEMBLY TO CABINET SIDES USING HARDWARE PROVIDED.



CLOSE UP OF RIGHT SIDE SHOWN

NOTE:

1.

ALL DIMENSIONS ARE IN INCHES UNLESS NOTED OTHERWISE
 CABINET SQUARENESS = ± .0625
 PRACTICAL VALUES = ± 1/32"
 - ALL VALUES OVERALL -

DWN BY:	EMK	DATE DWN:	3/4/14
APR BY:		DATE APR:	
APR BY:		DATE APR:	

CONFIDENTIAL:
 ALL DESIGN RIGHTS RESERVED
 THE INFORMATION, DATA, DESIGN, AND DRAWINGS EMBODIED IN THIS DOCUMENT AND ALL REPRODUCTIONS THEREOF ARE THE EXCLUSIVE PROPERTY OF DIVERSIFIED WOODCRAFTS, INC.

THESE DOCUMENTS ARE SUPPLIED WITH THE UNDERSTANDING THAT THEY WILL NOT BE DISCLOSED TO THIRD PARTIES WITHOUT WRITTEN CONSENT OF DIVERSIFIED WOODCRAFTS, INC. ANY REPRODUCTION IN PART OR WHOLE WITHOUT WRITTEN CONSENT IS SUBJECT TO LEGAL ACTION.



300 South Krueger Street
 Suring, WI 54174
 diversifiedwoodcrafts.com

TITLE:
 MOBILE FUME HOOD STATION
 ASSEMBLY INSTRUCTIONS

REV.	DESCRIPTION	DATE	NAME	ECN NO.
A	CREATED ASSEMBLY INSTRUCTIONS	3/4/14	EMK	-

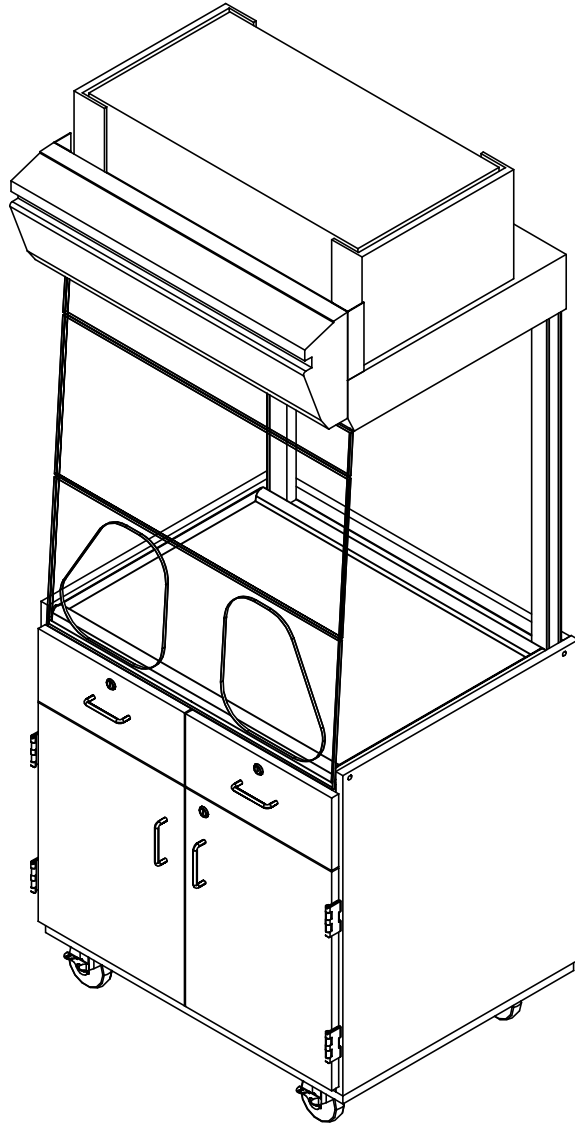
REVISION LEVEL

DRAWING NUMBER:

1800K

SCALE: SHEET: REVISION:

NTS 4 OF 5 REV A



NOTE:

1.

STEP 3:

- PLACE CABINET IN DESIRED LOCATION.

COMPLETE UNIT SHOWN

ALL DIMENSIONS ARE IN INCHES UNLESS NOTED OTHERWISE	DWN BY: EMK	DATE DWN: 3/4/14
CABINET SQUARENESS = ± .0625	APR BY:	DATE APR:
PRACTICAL VALUES = ± 1/32"	APR BY:	DATE APR:
- ALL VALUES ± OVERALL -		

CONFIDENTIAL:
 ALL DESIGN RIGHTS RESERVED
 THE INFORMATION, DATA, DESIGN, AND DRAWINGS EMBODIED IN THIS DOCUMENT AND ALL REPRODUCTIONS THEREOF ARE THE EXCLUSIVE PROPERTY OF DIVERSIFIED WOODCRAFTS, INC.

THESE DOCUMENTS ARE SUPPLIED WITH THE UNDERSTANDING THAT THEY WILL NOT BE DISCLOSED TO THIRD PARTIES WITHOUT WRITTEN CONSENT OF DIVERSIFIED WOODCRAFTS, INC. ANY REPRODUCTION IN PART OR WHOLE WITHOUT WRITTEN CONSENT IS SUBJECT TO LEGAL ACTION.



300 South Krueger Street
 Suring, WI 54174
 diversifiedwoodcrafts.com

TITLE:
 MOBILE FUME HOOD STATION
 ASSEMBLY INSTRUCTIONS

REV.	DESCRIPTION	DATE	NAME	ECN NO.
A	CREATED ASSEMBLY INSTRUCTIONS	3/4/14	EMK	-
REVISION LEVEL				

DRAWING NUMBER:	SCALE:	SHEET:	REVISION:
1800K	NTS	5 OF 5	REV A