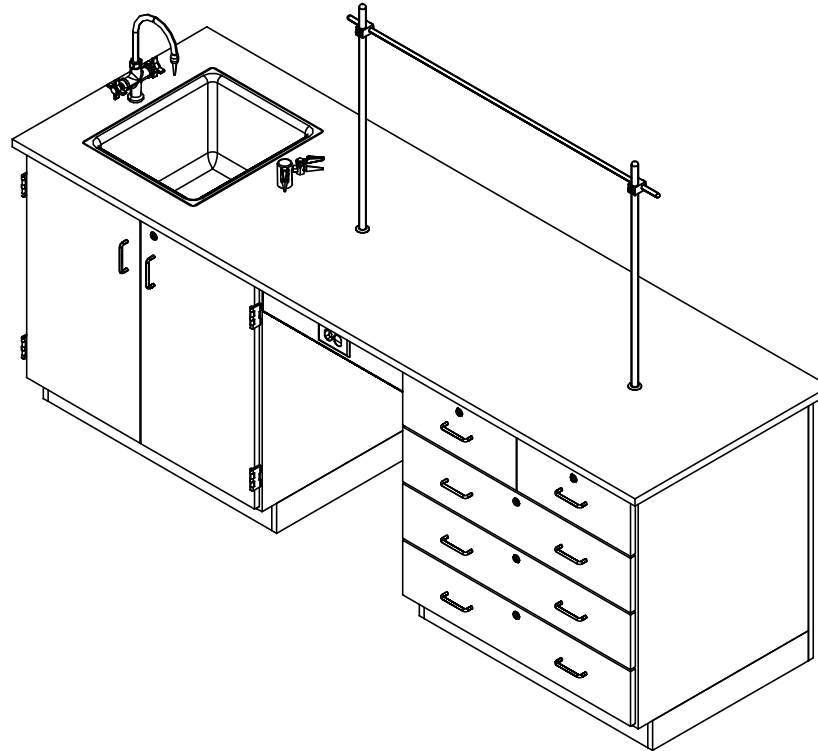


# 8' INSTRUCTOR DESK

1114K, 1114KF, 1116K, & 1116KF SERIES  
ASSEMBLY INSTRUCTIONS



**NOTE:**

1. MODEL VIEWS MAY NOT REPRESENT EXACT MODEL PURCHASED

ALL DIMENSIONS ARE IN INCHES UNLESS NOTED OTHERWISE	DWN BY: EMK	DATE DWN: 11/8/16
CABINET SQUARENESS = ± .0625	APR BY:	DATE APR:
FRACTIONAL VALUES = ± 1/32"	APR BY:	DATE APR:
- ALL VALUES ± OVERALL -		

CONFIDENTIAL:  
ALL DESIGN RIGHTS RESERVED  
THE INFORMATION, DATA, DESIGN, AND DRAWINGS EMBODIED IN THIS DOCUMENT AND ALL REPRODUCTIONS THEREOF ARE THE EXCLUSIVE PROPERTY OF DIVERSIFIED WOODCRAFTS, INC.

THESE DOCUMENTS ARE SUPPLIED WITH THE UNDERSTANDING THAT THEY WILL NOT BE DISCLOSED TO THIRD PARTIES WITHOUT WRITTEN CONSENT OF DIVERSIFIED WOODCRAFTS, INC. ANY REPRODUCTION IN PART OR WHOLE WITHOUT WRITTEN CONSENT IS SUBJECT TO LEGAL ACTION.



300 South Krueger Street  
Suring, WI 54174  
diversifiedwoodcrafts.com

TITLE:  
8' INSTRUCTOR DESK  
ASSEMBLY INSTRUCTIONS

A	CREATED DRAWING	11/8/16	EMK	-
REV.	DESCRIPTION	DATE	NAME	ECN NO.

REVISION LEVEL

DRAWING NUMBER: 1114K & KF, 1116K & KF	SCALE: NTS	SHEET: 1 OF 14	REVISION: REV A
---	---------------	-------------------	--------------------

## TOOLS REQUIRED

CONTACT CEMENT
SCREW DRIVER
C-CLAMPS
SHIM STOCK (IF NEEDED)

## ASSEMBLY COMPONENTS

ITEMS INCLUDED	PART #	PART DESCRIPTION	QTY
TOP	VARIES	TOP, (STYLE VARIES), 1.00X30X96,BLK, (EITHER FIXTURE OR FLAT)	1
CABINET	N/A	B86 - 36"W X 35"H X 26.25"D	1
CABINET	N/A	B23 - 36"W X 35"H X 26.25"D	1
BACK PANEL	N/A	94"W X 35"H X 0.75"D	1
APRON	N/A	0.81"THK X 4.50"W X 22"L	1
SCREWS - BACK PANEL	100478	SCREW,#8X1 1/4 SQ. WASHER FLAT HEAD	12
L BRACKET	100355	BRACKET, RAIL 1.25X1.25X4.25	2
SCREWS - L BRACKET	100649	SCREW,#8X3/4 PHIL TRUSS HEAD SMS	8
SILICONE	100711	SILICONE,SEALANT,CLEAR	1
RUBBER BASE MOLDING	100283	RUBBER BASE MOLDING (SOLD BY FOOT)	25
STAINLESS STEEL CORNERS	100057	CORNER-STAINLESS STEEL, BASE	8
SCREWS - BASE	100064	SCREW,#6X1/2 PTH SMS SS SCREW	32
ELECTRICAL BOX	100033	ELECTRICAL BOX 3.00X2X2.5 DEEP	1
ELECTRICAL OUTLET	100034	ELEC,OUTLET,GFI,20A 125V, BLK	1
**FIXTURE - FAUCET**	100048	FIXTURE,L4100FH-132AWSA 90 DEGREE-G	1
**FIXTURE - FAUCET**	100467	FIXTURE,L414 HOT & COLD MIXING	1
**FIXTURE - SINK**	100699	SINK,EPOXY L30,BLK	1
**FIXTURE - SINK TRAP**	100056	SINK TRAP,PLASTIC ADJUSTABLE	1
**FIXTURE - SINK STOPPER**	100112	SINK STOPPER 1 1/2,BLK	1
**FIXTURE - STRAINER**	100055	SINK,OUTLET/STRAINER EPOXY,BLK	1

**NOTE:**

1. TOPS ARE EITHER PHENOLIC OR EPOXY.
2. \*\*XX\*\* INDICATES ITEMS USED ONLY FOR THE "K" SERIES.

ALL DIMENSIONS ARE IN INCHES UNLESS NOTED OTHERWISE  
 CABINET SQUARENESS = ± .0625  
 PRACTICAL VALUES = ± 1/32"  
 -ALL VALUES ± OVERALL-

DWN BY:	EMK	DATE DWN:	11/8/16
APR BY:		DATE APR:	
APR BY:		DATE APR:	



300 South Krueger Street  
 Suring, WI 54174  
 diversifiedwoodcrafts.com

CONFIDENTIAL:  
 ALL DESIGN RIGHTS RESERVED  
 THE INFORMATION, DATA, DESIGN, AND DRAWINGS EMBODIED  
 IN THIS DOCUMENT AND ALL REPRODUCTIONS THEREOF ARE  
 THE EXCLUSIVE PROPERTY OF DIVERSIFIED WOODCRAFTS, INC.

TITLE:  
 8' INSTRUCTOR DESK  
 TOOLS AND ASSEMBLY COMPONENTS

THESE DOCUMENTS ARE SUPPLIED WITH THE UNDERSTANDING  
 THAT THEY WILL NOT BE DISCLOSED TO THIRD PARTIES WITHOUT  
 WRITTEN CONSENT OF DIVERSIFIED WOODCRAFTS, INC. ANY  
 REPRODUCTION IN PART OR WHOLE WITHOUT WRITTEN  
 CONSENT IS SUBJECT TO LEGAL ACTION.

DRAWING NUMBER:	SCALE:	SHEET:	REVISION:
1114K & KF, 1116K & KF	NTS	2 OF 14	REV A

REV.	DESCRIPTION	DATE	NAME	ECN NO.
A	CREATED DRAWING	11/8/16	EMK	-
REVISION LEVEL				

ASSEMBLY COMPONENTS			
ITEMS INCLUDED	PART #	PART DESCRIPTION	QTY
**ROD SOCKET**	206505	ROD SOCKET ASSY, SOCKET, WASHER, NUT	2
**CROSSBAR**	100006	ROD, CROSSBAR 3/4 DIA. X48 L	1
**UPRIGHT**	100004	ROD, UPRIGHT 3/4 DIA. X36 L	2
**CLAMP**	100002	ROD CLAMP 3/4 X 3/4 ASSY	2

**NOTE:**

1. TOPS ARE EITHER PHENOLIC OR EPOXY.
2. \*\*XX\*\* INDICATES ITEMS USED ONLY FOR THE "K" SERIES.

ALL DIMENSIONS ARE IN INCHES UNLESS NOTED OTHERWISE	DWN BY: EMK	DATE DWN: 11/8/16
CABINET SQUARENESS = ± .0625	APR BY:	DATE APR:
FRACTIONAL VALUES = ± 1/32"	APR BY:	DATE APR:
- ALL VALUES ± OVERALL -		

CONFIDENTIAL:  
 ALL DESIGN RIGHTS RESERVED  
 THE INFORMATION, DATA, DESIGN, AND DRAWINGS EMBODIED IN THIS DOCUMENT AND ALL REPRODUCTIONS THEREOF ARE THE EXCLUSIVE PROPERTY OF DIVERSIFIED WOODCRAFTS, INC.

THESE DOCUMENTS ARE SUPPLIED WITH THE UNDERSTANDING THAT THEY WILL NOT BE DISCLOSED TO THIRD PARTIES WITHOUT WRITTEN CONSENT OF DIVERSIFIED WOODCRAFTS, INC. ANY REPRODUCTION IN PART OR WHOLE WITHOUT WRITTEN CONSENT IS SUBJECT TO LEGAL ACTION.



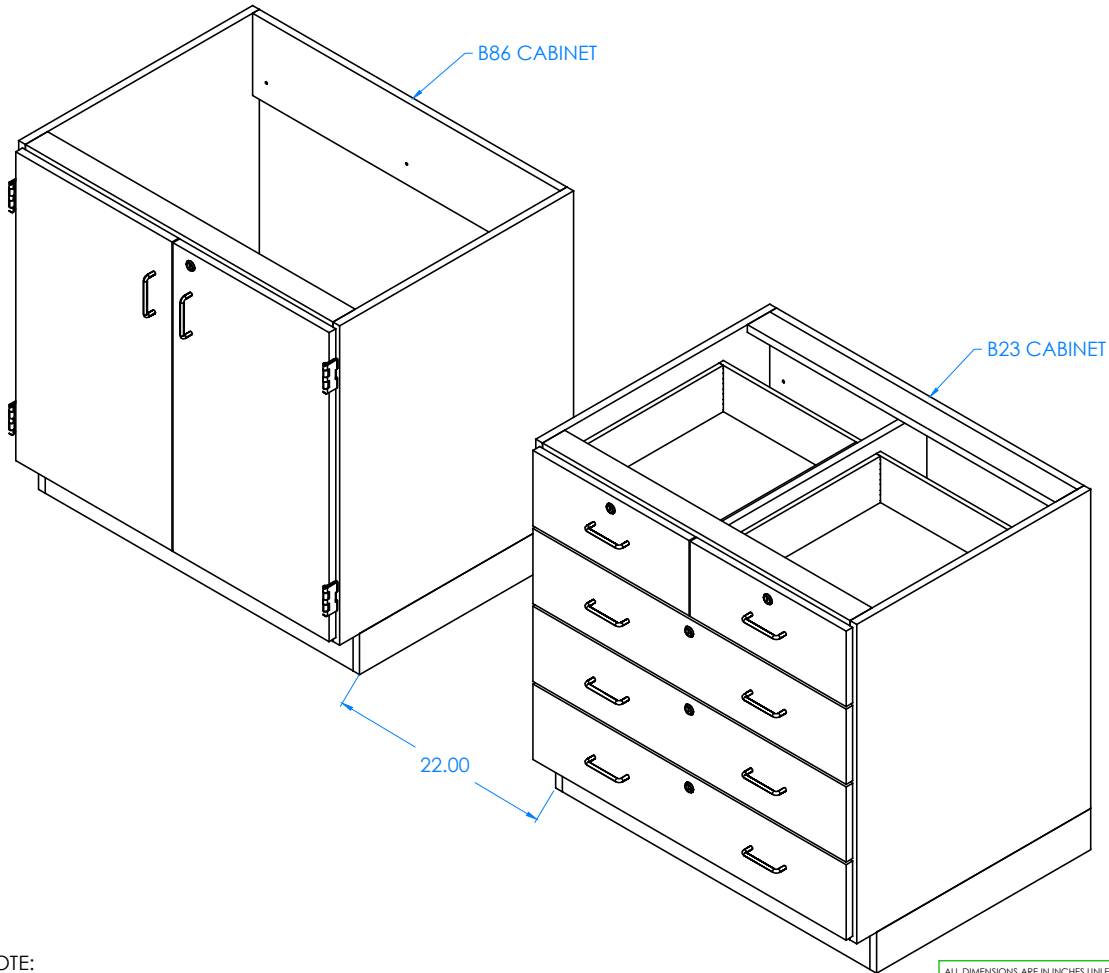
300 South Krueger Street  
 Suring, WI 54174  
 diversifiedwoodcrafts.com

TITLE:  
**8' INSTRUCTOR DESK  
 TOOLS AND ASSEMBLY COMPONENTS**

REV.	DESCRIPTION	DATE	NAME	ECN NO.
A	CREATED DRAWING	11/8/16	EMK	-

REVISION LEVEL

DRAWING NUMBER: <b>1114K &amp; KF, 1116K &amp; KF</b>	SCALE: NTS	SHEET: 3 OF 14	REVISION: REV A
--	---------------	-------------------	--------------------



STEP 1:

- POSITION THE TWO CABINETS IN DESIRED LOCATION.
- IF YOU HAVE A "K" SERIES UNIT, PLACE UNIT OVER UTILITY HOOKUPS.
- LEAVE ENOUGH ROOM IN BETWEEN CABINETS FOR APRON.
- LEVEL CABINETS .
- ATTACH TO FLOOR.

NOTE:

1.

ALL DIMENSIONS ARE IN INCHES UNLESS NOTED OTHERWISE			
CABINET SQUARENESS	= ± .0625	DWN BY:	EMK
FRACTIONAL VALUES	= ± 1/32"	DATE DWN:	11/8/16
- ALL VALUES ± OVERALL -			
APR BY:		DATE APR:	
APR BY:		DATE APR:	

CONFIDENTIAL:  
 ALL DESIGN RIGHTS RESERVED  
 THE INFORMATION, DATA, DESIGN, AND DRAWINGS EMBODIED IN THIS DOCUMENT AND ALL REPRODUCTIONS THEREOF ARE THE EXCLUSIVE PROPERTY OF DIVERSIFIED WOODCRAFTS, INC.

THESE DOCUMENTS ARE SUPPLIED WITH THE UNDERSTANDING THAT THEY WILL NOT BE DISCLOSED TO THIRD PARTIES WITHOUT WRITTEN CONSENT OF DIVERSIFIED WOODCRAFTS, INC. ANY REPRODUCTION IN PART OR WHOLE WITHOUT WRITTEN CONSENT IS SUBJECT TO LEGAL ACTION.

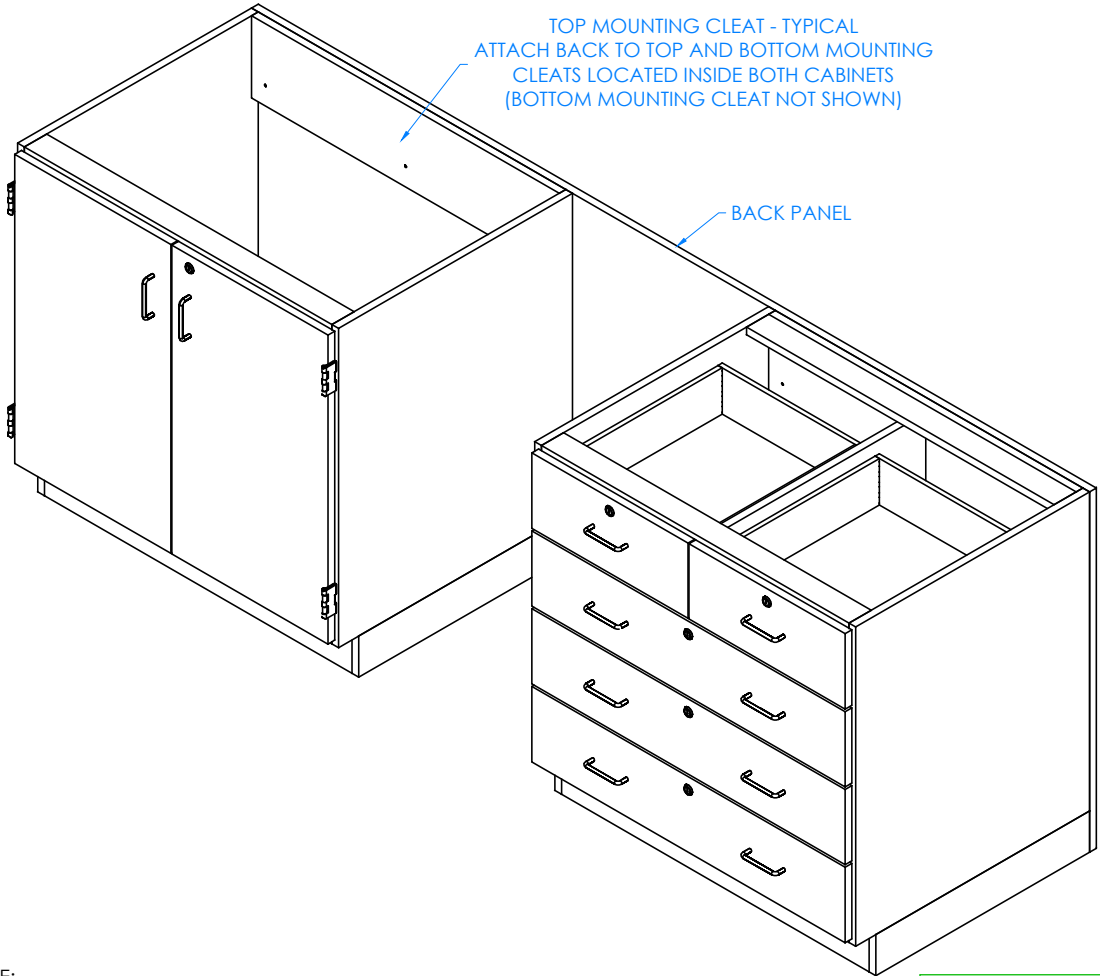


300 South Krueger Street  
 Suring, WI 54174  
 diversifiedwoodcrafts.com

TITLE:  
 8' INSTRUCTOR DESK  
 ASSEMBLY INSTRUCTIONS

REV.	DESCRIPTION	DATE	NAME	ECN NO.
A	CREATED DRAWING	11/8/16	EMK	-
REVISION LEVEL				

DRAWING NUMBER:	SCALE:	SHEET:	REVISION:
1114K & KF, 1116K & KF	NTS	4 OF 14	REV A



STEP 2:

- ATTACH BACK PANEL TO BACK OF CABINETS WITH HARDWARE PROVIDED.
- SCREW INTO TOP AND BOTTOM MOUNTING CLEATS LOCATED INSIDE BOTH CABINETS.
- MAKE SURE BACK PANEL IS FLUSH WITH OUTSIDE EDGES OF CABINETS.


NOTE:

1.

ALL DIMENSIONS ARE IN INCHES UNLESS NOTED OTHERWISE		DWN BY:	EMK	DATE DWN:	11/8/16
CABINET SQUARENESS = ± .0625		APR BY:		DATE APR:	
FRACTIONAL VALUES = ± 1/32"		APR BY:		DATE APR:	
- ALL VALUES ± OVERALL -					

CONFIDENTIAL:  
ALL DESIGN RIGHTS RESERVED  
THE INFORMATION, DATA, DESIGN, AND DRAWINGS EMBODIED IN THIS DOCUMENT AND ALL REPRODUCTIONS THEREOF ARE THE EXCLUSIVE PROPERTY OF DIVERSIFIED WOODCRAFTS, INC.

THESE DOCUMENTS ARE SUPPLIED WITH THE UNDERSTANDING THAT THEY WILL NOT BE DISCLOSED TO THIRD PARTIES WITHOUT WRITTEN CONSENT OF DIVERSIFIED WOODCRAFTS, INC. ANY REPRODUCTION IN PART OR WHOLE WITHOUT WRITTEN CONSENT IS SUBJECT TO LEGAL ACTION.

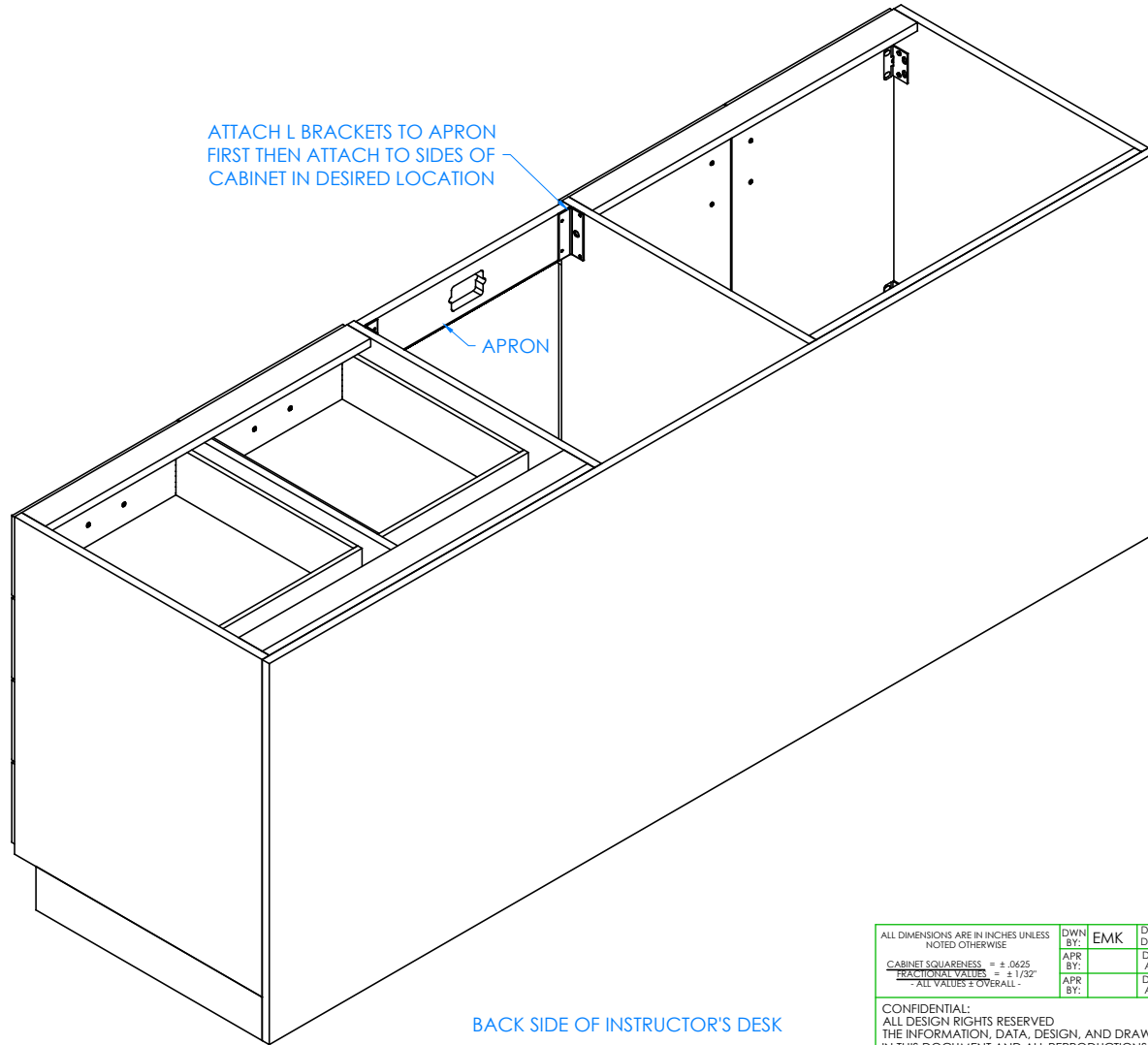


300 South Krueger Street  
Suring, WI 54174  
diversifiedwoodcrafts.com

TITLE:  
**8' INSTRUCTOR DESK  
ASSEMBLY INSTRUCTIONS**

DRAWING NUMBER:	SCALE:	SHEET:	REVISION:
<b>1114K &amp; KF, 1116K &amp; KF</b>	NTS	5 OF 14	REV A

REV.	DESCRIPTION	DATE	NAME	ECN NO.
A	CREATED DRAWING	11/8/16	EMK	-
REVISION LEVEL				



STEP 3:

- ATTACH L BRACKETS TO APRON WITH HARDWARE PROVIDED.
- MAKE SURE BRACKETS ARE FLUSH WITH TOP EDGE OF APRON.
- MOUNT APRON TO SIDES OF BOTH CABINETS IN DESIRED LOCATION WITH REMAINING SCREWS.

NOTE:

1.

BACK SIDE OF INSTRUCTOR'S DESK

ALL DIMENSIONS ARE IN INCHES UNLESS NOTED OTHERWISE	DWN BY: EMK	DATE DWN: 11/8/16
CABINET SQUARENESS = ± .0625	APR BY:	DATE APR:
FRACTIONAL VALUES = ± 1/32"	APR BY:	DATE APR:
- ALL VALUES ± OVERALL -		

CONFIDENTIAL:  
ALL DESIGN RIGHTS RESERVED  
THE INFORMATION, DATA, DESIGN, AND DRAWINGS EMBODIED IN THIS DOCUMENT AND ALL REPRODUCTIONS THEREOF ARE THE EXCLUSIVE PROPERTY OF DIVERSIFIED WOODCRAFTS, INC.

THESE DOCUMENTS ARE SUPPLIED WITH THE UNDERSTANDING THAT THEY WILL NOT BE DISCLOSED TO THIRD PARTIES WITHOUT WRITTEN CONSENT OF DIVERSIFIED WOODCRAFTS, INC. ANY REPRODUCTION IN PART OR WHOLE WITHOUT WRITTEN CONSENT IS SUBJECT TO LEGAL ACTION.



300 South Krueger Street  
Suring, WI 54174  
diversifiedwoodcrafts.com

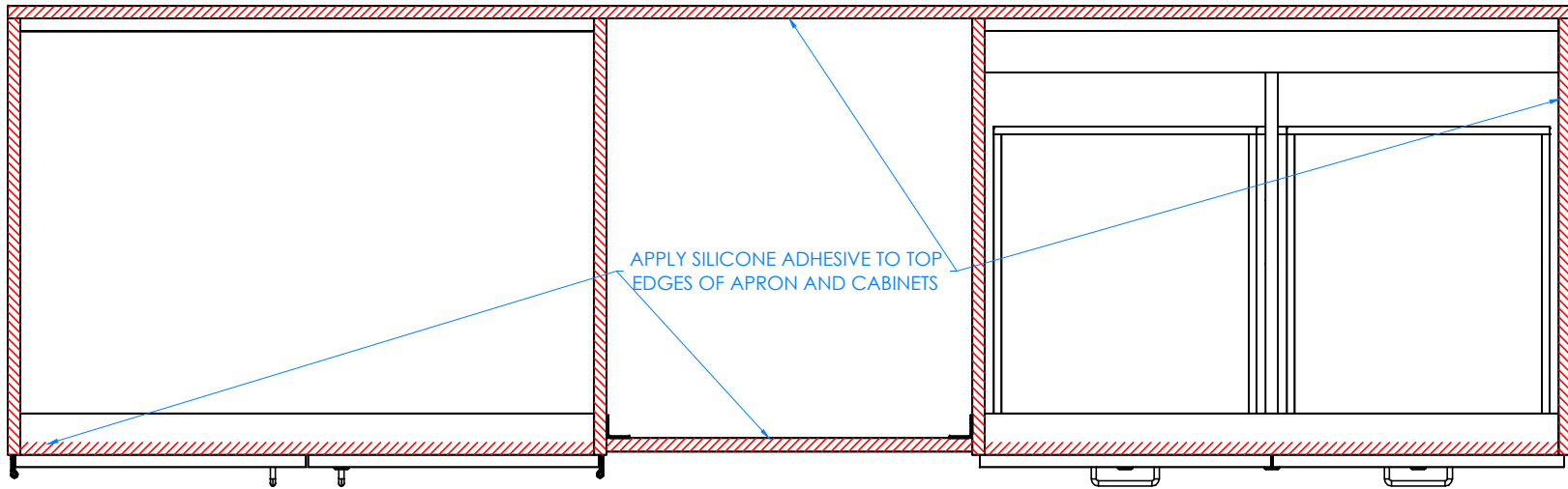
TITLE:  
8' INSTRUCTOR DESK  
ASSEMBLY INSTRUCTIONS

REV.	DESCRIPTION	DATE	NAME	ECN NO.
A	CREATED DRAWING	11/8/16	EMK	-
REVISION LEVEL				

DRAWING NUMBER: 1114K & KF, 1116K & KF	SCALE: NTS	SHEET: 6 OF 14	REVISION: REV A
---	---------------	-------------------	--------------------

STEP 4:

- APPLY SILICONE ADHESIVE TO TOP EDGES OF CABINETS AND APRON.
- PLACE TOP ON UNIT WITH PROPER OVERHANG (1" OVERHANG ON SIDES AND 1.50" ON FRONT AND BACK).
- CLAMP ON TOP TO TOP RAILS OF CABINETS AND APRON TO REMOVE ANY WARP USING SHIMS AND C-CLAMPS, IF NEEDED, WHEN ALIGNING THE TOP (DO THIS BEFORE ADHESIVE ON EDGES SETS UP).
- LET CURE FOR 6-12 HOURS.



APPLY SILICONE ADHESIVE TO TOP EDGES OF APRON AND CABINETS

TOP VIEW OF INSTRUCTOR'S DESK SHOWN

NOTE:

1.

ALL DIMENSIONS ARE IN INCHES UNLESS NOTED OTHERWISE		DWN BY:	EMK	DATE DWN:	11/8/16
CABINET SQUARENESS = ± .0625		APR BY:		DATE APR:	
FRAC TIONAL VALUES = ± 1/32"		APR BY:		DATE APR:	
- ALL VALUES ± OVERALL -					

CONFIDENTIAL:  
ALL DESIGN RIGHTS RESERVED  
THE INFORMATION, DATA, DESIGN, AND DRAWINGS EMBODIED IN THIS DOCUMENT AND ALL REPRODUCTIONS THEREOF ARE THE EXCLUSIVE PROPERTY OF DIVERSIFIED WOODCRAFTS, INC.

THESE DOCUMENTS ARE SUPPLIED WITH THE UNDERSTANDING THAT THEY WILL NOT BE DISCLOSED TO THIRD PARTIES WITHOUT WRITTEN CONSENT OF DIVERSIFIED WOODCRAFTS, INC. ANY REPRODUCTION IN PART OR WHOLE WITHOUT WRITTEN CONSENT IS SUBJECT TO LEGAL ACTION.



300 South Krueger Street  
Suring, WI 54174  
diversifiedwoodcrafts.com

TITLE:  
8' INSTRUCTOR DESK  
ASSEMBLY INSTRUCTIONS

A	CREATED DRAWING	11/8/16	EMK	-
REV.	DESCRIPTION	DATE	NAME	ECN NO.

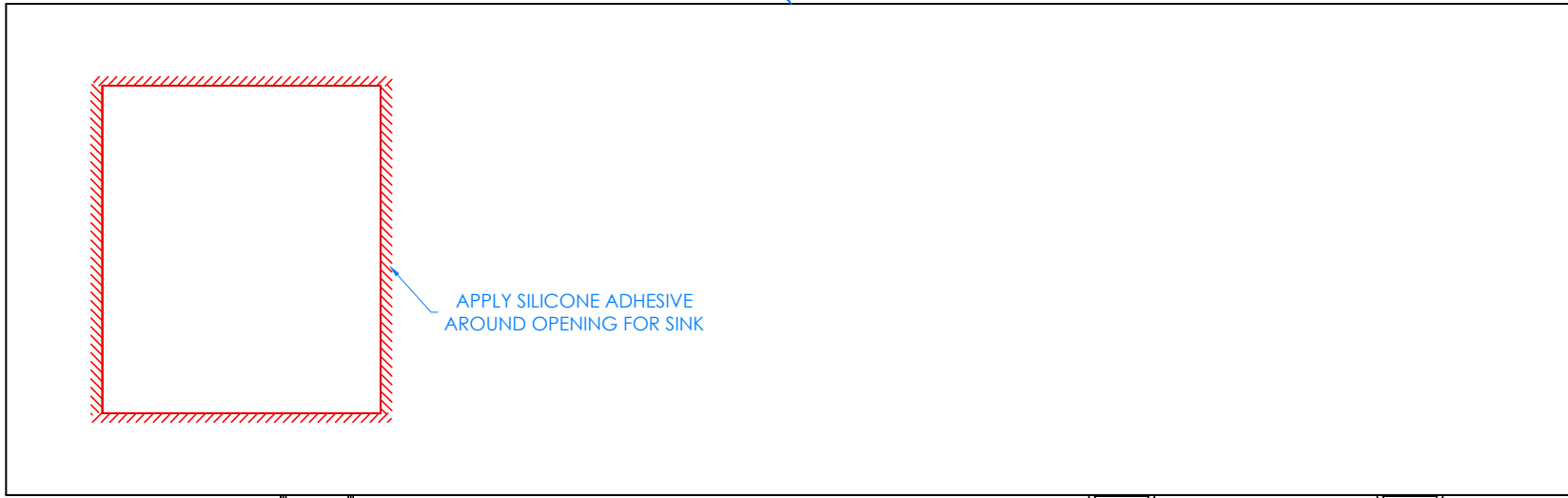
REVISION LEVEL

DRAWING NUMBER:	SCALE:	SHEET:	REVISION:
1114K & KF, 1116K & KF	NTS	7 OF 14	REV A

STEP 5:

- IF YOU DO NOT HAVE A "K" SERIES UNIT, SKIP TO STEP 6.
- APPLY SILICONE ADHESIVE TO SINK OPENING ON TOP.
- LOWER SINK INTO OPENING.
- WIPE OFF ANY EXCESS CAULK AND ALLOW TO SET.
- LET CURE FOR 6-12 HOURS.

TOP



APPLY SILICONE ADHESIVE  
AROUND OPENING FOR SINK

TOP VIEW OF INSTRUCTOR'S DESK SHOWN

NOTE:

1.

ALL DIMENSIONS ARE IN INCHES UNLESS NOTED OTHERWISE	DWN BY: EMK	DATE DWN: 11/8/16
CABINET SQUARENESS = ± .0625	APR BY:	DATE APR:
FRACTIONAL VALUES = ± 1/32"	APR BY:	DATE APR:
- ALL VALUES ± OVERALL -		

CONFIDENTIAL:  
ALL DESIGN RIGHTS RESERVED  
THE INFORMATION, DATA, DESIGN, AND DRAWINGS EMBODIED IN THIS DOCUMENT AND ALL REPRODUCTIONS THEREOF ARE THE EXCLUSIVE PROPERTY OF DIVERSIFIED WOODCRAFTS, INC.

THESE DOCUMENTS ARE SUPPLIED WITH THE UNDERSTANDING THAT THEY WILL NOT BE DISCLOSED TO THIRD PARTIES WITHOUT WRITTEN CONSENT OF DIVERSIFIED WOODCRAFTS, INC. ANY REPRODUCTION IN PART OR WHOLE WITHOUT WRITTEN CONSENT IS SUBJECT TO LEGAL ACTION.



300 South Krueger Street  
Suring, WI 54174  
diversifiedwoodcrafts.com

TITLE:  
8' INSTRUCTOR DESK  
ASSEMBLY INSTRUCTIONS

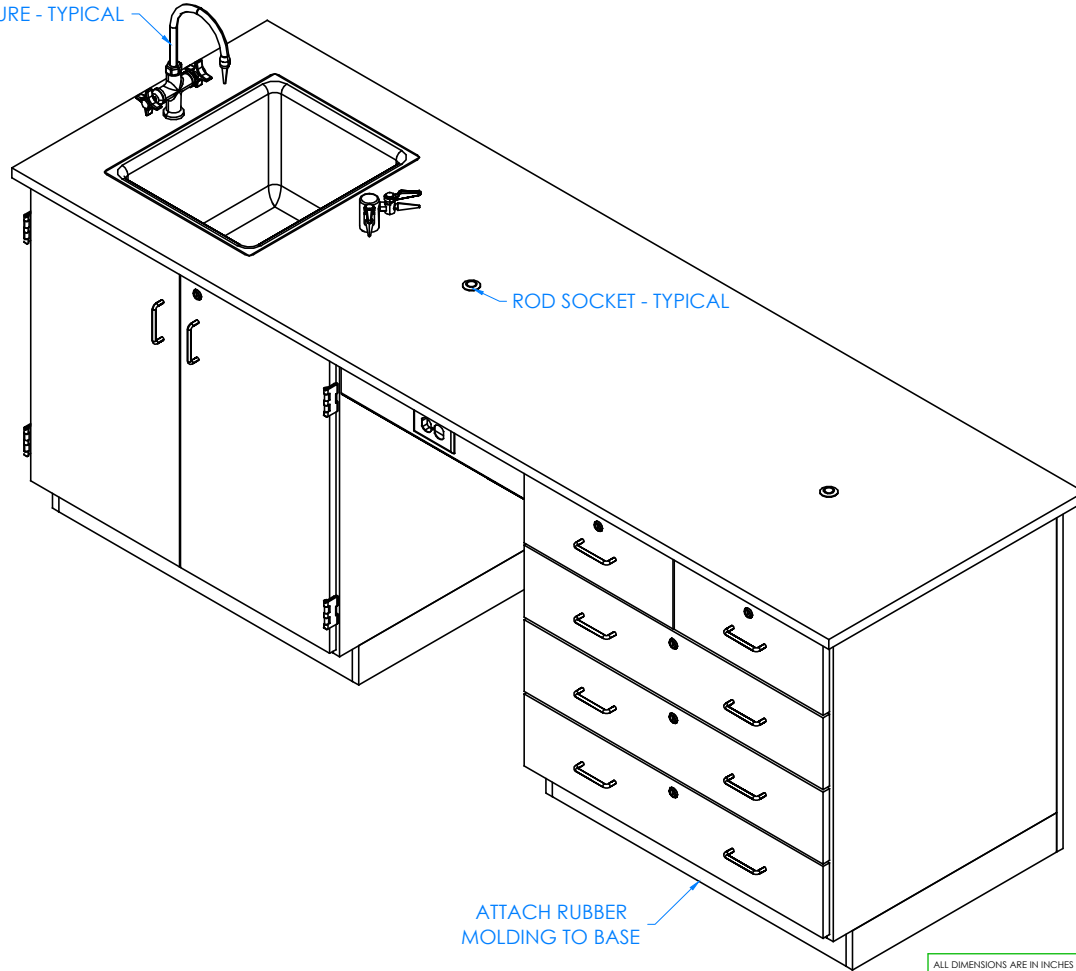
REV.	DESCRIPTION	DATE	NAME	ECN NO.
A	CREATED DRAWING	11/8/16	EMK	-

REVISION LEVEL

DRAWING NUMBER: 1114K & KF, 1116K & KF	SCALE: NTS	SHEET: 8 OF 14	REVISION: REV A
---	---------------	-------------------	--------------------



FIXTURE - TYPICAL



STEP 6:

- ATTACH RUBBER MOLDING TO BASE OF INSTRUCTOR'S DESK USING CONTACT CEMENT.
- SCREW STAINLESS STEEL CORNER BRACKETS ON EACH CORNER OVER BASE MOLDING WITH HARDWARE PROVIDED.
- IF YOU HAVE A "K" SERIES UNIT, INSTALL FIXTURES IN THE HOLES PROVIDED ON TOP.
- INSERT ROD SOCKETS INTO PRE-DRILLED HOLES IN TOP.
- SEE NEXT PAGE ON HOW TO INSTALL UPRIGHTS AND CROSSBAR.

NOTE:

1. ALL WATER, ELECTRICAL, AND GAS CONNECTIONS SHOULD BE PERFORMED BY A TRAINED PROFESSIONAL PER LOCAL CODE.

ALL DIMENSIONS ARE IN INCHES UNLESS NOTED OTHERWISE			
CABINET SQUARENESS	= ± .0625	DWN BY:	EMK
FRACTIONAL VALUES	= ± 1/32"	DATE DWN:	11/8/16
- ALL VALUES ± OVERALL -			
		APR BY:	
		DATE APR:	
		APR BY:	
		DATE APR:	

CONFIDENTIAL:  
 ALL DESIGN RIGHTS RESERVED  
 THE INFORMATION, DATA, DESIGN, AND DRAWINGS EMBODIED IN THIS DOCUMENT AND ALL REPRODUCTIONS THEREOF ARE THE EXCLUSIVE PROPERTY OF DIVERSIFIED WOODCRAFTS, INC.

THESE DOCUMENTS ARE SUPPLIED WITH THE UNDERSTANDING THAT THEY WILL NOT BE DISCLOSED TO THIRD PARTIES WITHOUT WRITTEN CONSENT OF DIVERSIFIED WOODCRAFTS, INC. ANY REPRODUCTION IN PART OR WHOLE WITHOUT WRITTEN CONSENT IS SUBJECT TO LEGAL ACTION.

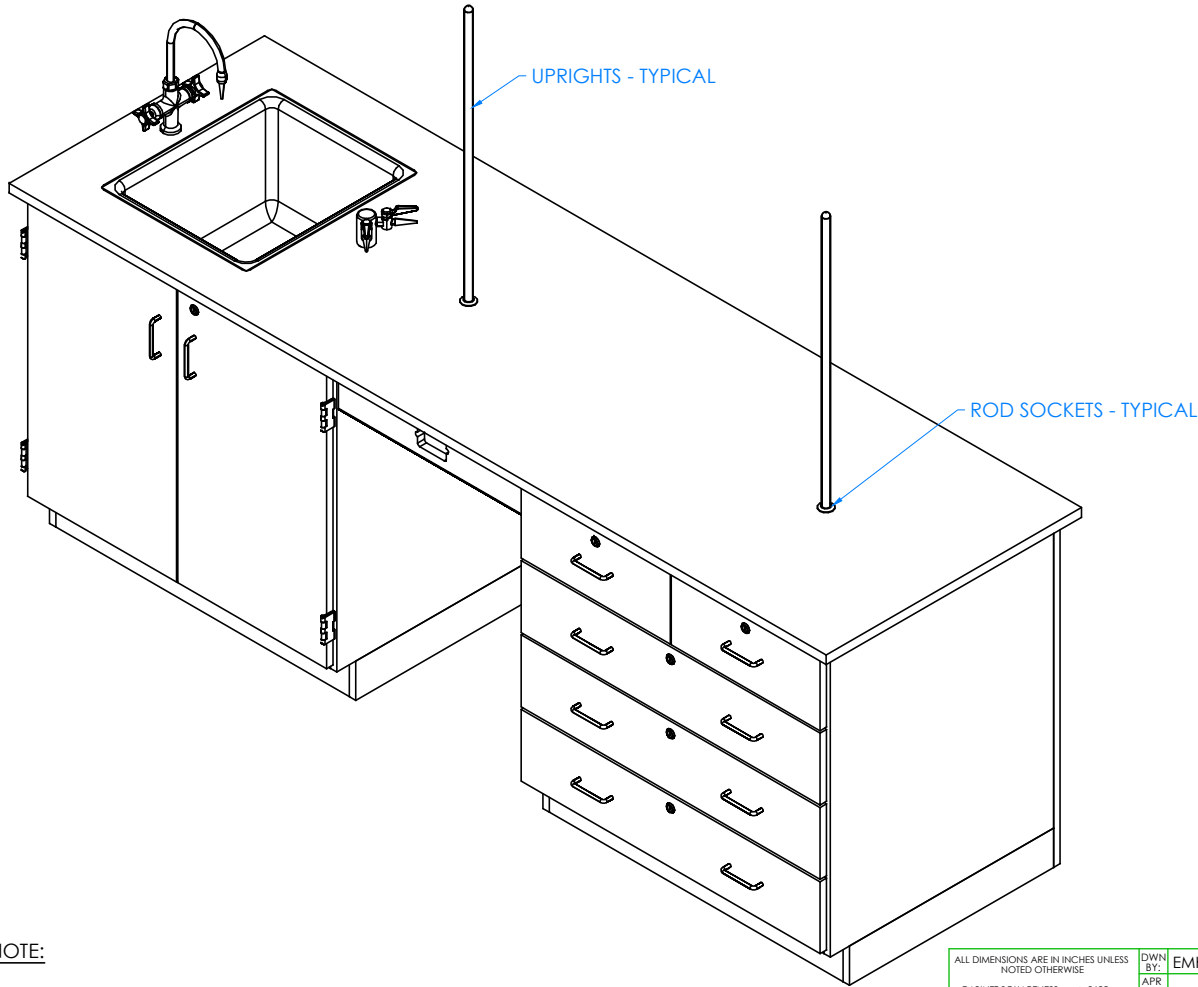


300 South Krueger Street  
 Suring, WI 54174  
 diversifiedwoodcrafts.com

TITLE:  
 8' INSTRUCTOR DESK  
 ASSEMBLY INSTRUCTIONS

REV.	DESCRIPTION	DATE	NAME	ECN NO.
A	CREATED DRAWING	11/8/16	EMK	-
REVISION LEVEL				

DRAWING NUMBER:	SCALE:	SHEET:	REVISION:
1114K & KF, 1116K & KF	NTS	9 OF 14	REV A



STEP 7:

- INSERT TAPERED END ON UPRIGHTS INTO ROD SOCKETS ON THE TOP.

NOTE:

1.

ALL DIMENSIONS ARE IN INCHES UNLESS NOTED OTHERWISE	DWN BY: EMK	DATE DWN: 11/8/16
CABINET SQUARENESS = ± .0625	APR BY:	DATE APR:
FRACTIONAL VALUES = ± 1/32"	APR BY:	DATE APR:
- ALL VALUES ± OVERALL -		

CONFIDENTIAL:  
ALL DESIGN RIGHTS RESERVED  
THE INFORMATION, DATA, DESIGN, AND DRAWINGS EMBODIED IN THIS DOCUMENT AND ALL REPRODUCTIONS THEREOF ARE THE EXCLUSIVE PROPERTY OF DIVERSIFIED WOODCRAFTS, INC.

THESE DOCUMENTS ARE SUPPLIED WITH THE UNDERSTANDING THAT THEY WILL NOT BE DISCLOSED TO THIRD PARTIES WITHOUT WRITTEN CONSENT OF DIVERSIFIED WOODCRAFTS, INC. ANY REPRODUCTION IN PART OR WHOLE WITHOUT WRITTEN CONSENT IS SUBJECT TO LEGAL ACTION.

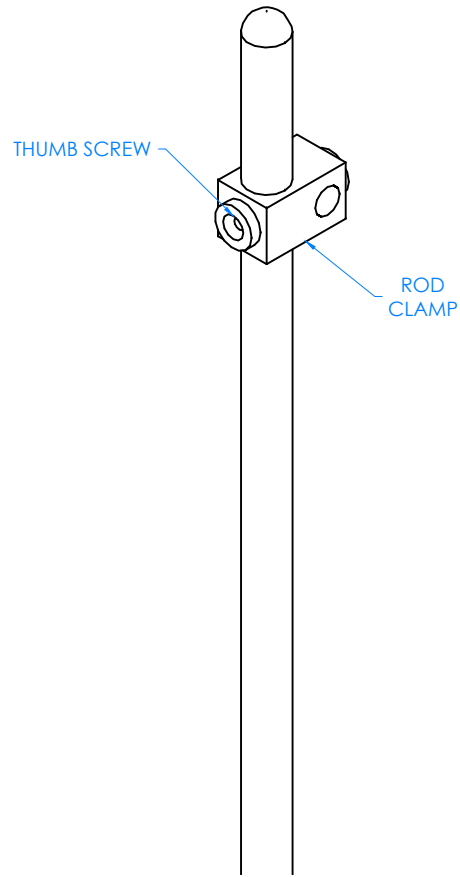


300 South Krueger Street  
Suring, WI 54174  
diversifiedwoodcrafts.com

TITLE:  
8' INSTRUCTOR DESK  
ASSEMBLY INSTRUCTIONS

REV.	DESCRIPTION	DATE	NAME	ECN NO.
A	CREATED DRAWING	11/8/16	EMK	-
REVISION LEVEL				

DRAWING NUMBER:	SCALE:	SHEET:	REVISION:
1114K & KF, 1116K & KF	NTS	10 OF 14	REV A



STEP 8:


- SLIDE ROD CLAMPS OVER UPRIGHT AND TIGHTEN IN DESIRED LOCATION USING THUMB SCREWS PROVIDED ON CLAMPS.
- REPEAT ON OTHER UPRIGHT

NOTE:

1.

CLOSE UP OF UPRIGHT

ALL DIMENSIONS ARE IN INCHES UNLESS NOTED OTHERWISE		DWN BY:	EMK	DATE DWN:	11/8/16
CABINET SQUARENESS = ± .0625		APR BY:		DATE APR:	
FRACTIONAL VALUES = ± 1/32"		APR BY:		DATE APR:	
- ALL VALUES ± OVERALL -					
<p>CONFIDENTIAL:                  ALL DESIGN RIGHTS RESERVED                  THE INFORMATION, DATA, DESIGN, AND DRAWINGS EMBODIED IN THIS DOCUMENT AND ALL REPRODUCTIONS THEREOF ARE THE EXCLUSIVE PROPERTY OF DIVERSIFIED WOODCRAFTS, INC.</p> <p>THESE DOCUMENTS ARE SUPPLIED WITH THE UNDERSTANDING THAT THEY WILL NOT BE DISCLOSED TO THIRD PARTIES WITHOUT WRITTEN CONSENT OF DIVERSIFIED WOODCRAFTS, INC. ANY REPRODUCTION IN PART OR WHOLE WITHOUT WRITTEN CONSENT IS SUBJECT TO LEGAL ACTION.</p>					

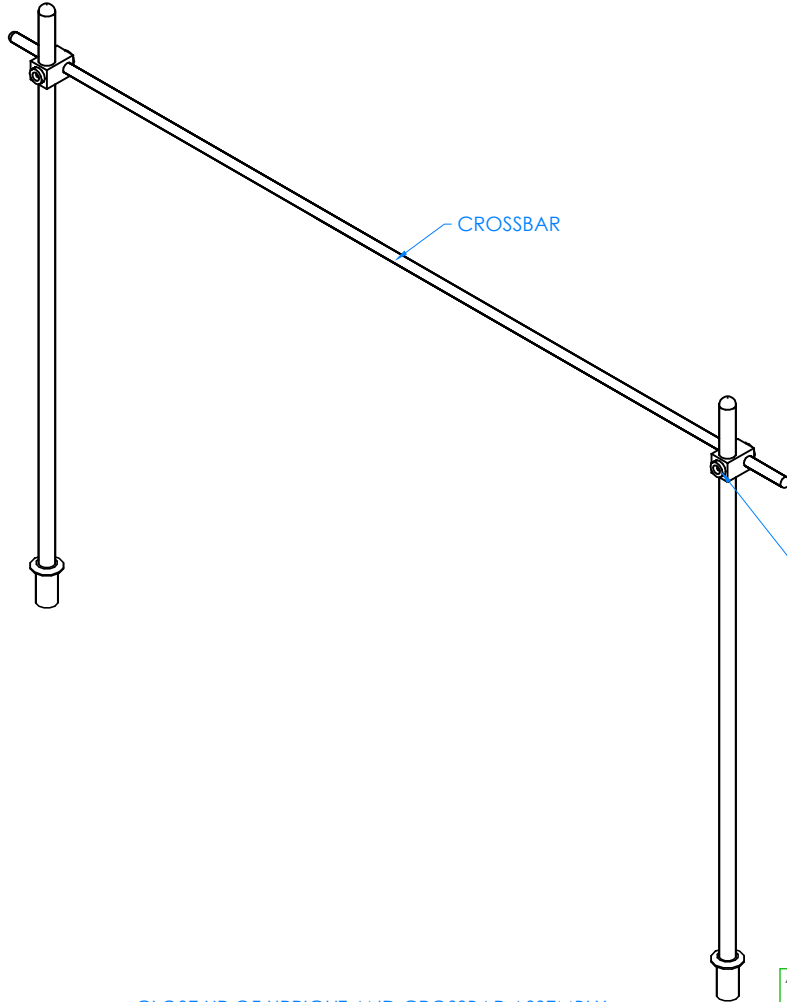


300 South Krueger Street  
Suring, WI 54174  
diversifiedwoodcrafts.com

TITLE:  
**8' INSTRUCTOR DESK  
ASSEMBLY INSTRUCTIONS**

DRAWING NUMBER: <b>1114K &amp; KF, 1116K &amp; KF</b>	SCALE: NTS	SHEET: 11 OF 14	REVISION: REV A
--	---------------	--------------------	--------------------

REV.	DESCRIPTION	DATE	NAME	ECN NO.
A	CREATED DRAWING	11/8/16	EMK	-
REVISION LEVEL				



STEP 9:

- SLIDE CROSSBAR THROUGH ONE CLAMP.
- POSITION OTHER END THROUGH OTHER CLAMP.

NOTE:

1.

CLOSE UP OF UPRIGHT AND CROSSBAR ASSEMBLY

ALL DIMENSIONS ARE IN INCHES UNLESS NOTED OTHERWISE	DWN BY: EMK	DATE DWN: 11/8/16
CABINET SQUARENESS = ± .0625	APR BY:	DATE APR:
FRACTIONAL VALUES = ± 1/32"	APR BY:	DATE APR:
- ALL VALUES ± OVERALL -		

CONFIDENTIAL:  
 ALL DESIGN RIGHTS RESERVED  
 THE INFORMATION, DATA, DESIGN, AND DRAWINGS EMBODIED IN THIS DOCUMENT AND ALL REPRODUCTIONS THEREOF ARE THE EXCLUSIVE PROPERTY OF DIVERSIFIED WOODCRAFTS, INC.

THESE DOCUMENTS ARE SUPPLIED WITH THE UNDERSTANDING THAT THEY WILL NOT BE DISCLOSED TO THIRD PARTIES WITHOUT WRITTEN CONSENT OF DIVERSIFIED WOODCRAFTS, INC. ANY REPRODUCTION IN PART OR WHOLE WITHOUT WRITTEN CONSENT IS SUBJECT TO LEGAL ACTION.

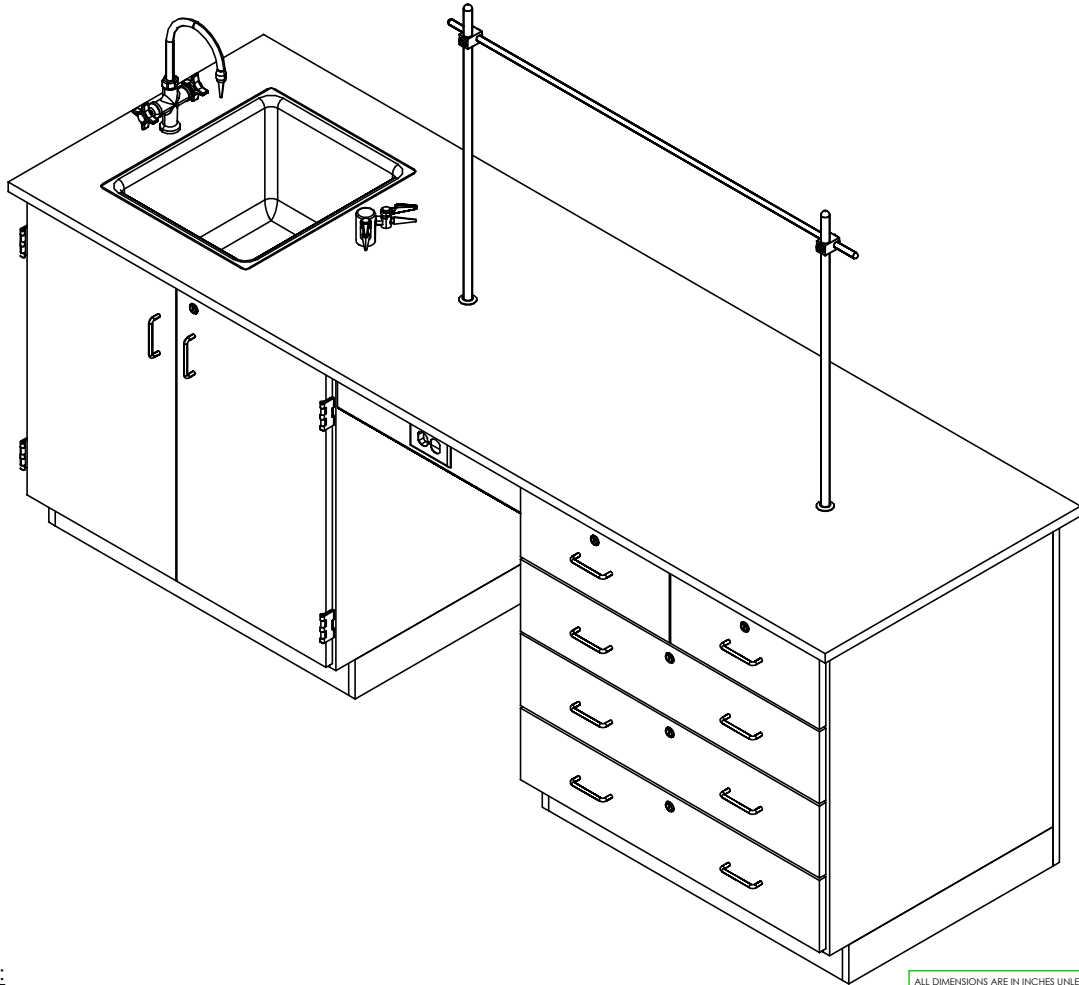


300 South Krueger Street  
 Suring, WI 54174  
 diversifiedwoodcrafts.com

TITLE:  
 8' INSTRUCTOR DESK  
 ASSEMBLY INSTRUCTIONS

REV.	DESCRIPTION	DATE	NAME	ECN NO.
A	CREATED DRAWING	11/8/16	EMK	-
REVISION LEVEL				

DRAWING NUMBER: 1114K & KF, 1116K & KF	SCALE: NTS	SHEET: 12 OF 14	REVISION: REV A
---	---------------	--------------------	--------------------



COMPLETE UNIT SHOWN

NOTE:

1.

ALL DIMENSIONS ARE IN INCHES UNLESS NOTED OTHERWISE	DWN BY: EMK	DATE DWN: 11/8/16
CABINET SQUARENESS = ± .0625	APR BY:	DATE APR:
FRACTIONAL VALUES = ± 1/32"	APR BY:	DATE APR:
- ALL VALUES ± OVERALL -		

CONFIDENTIAL:  
 ALL DESIGN RIGHTS RESERVED  
 THE INFORMATION, DATA, DESIGN, AND DRAWINGS EMBODIED IN THIS DOCUMENT AND ALL REPRODUCTIONS THEREOF ARE THE EXCLUSIVE PROPERTY OF DIVERSIFIED WOODCRAFTS, INC.

THESE DOCUMENTS ARE SUPPLIED WITH THE UNDERSTANDING THAT THEY WILL NOT BE DISCLOSED TO THIRD PARTIES WITHOUT WRITTEN CONSENT OF DIVERSIFIED WOODCRAFTS, INC. ANY REPRODUCTION IN PART OR WHOLE WITHOUT WRITTEN CONSENT IS SUBJECT TO LEGAL ACTION.



300 South Krueger Street  
 Suring, WI 54174  
 diversifiedwoodcrafts.com

TITLE:  
 8' INSTRUCTOR DESK  
 ASSEMBLY INSTRUCTIONS

REV.	DESCRIPTION	DATE	NAME	ECN NO.
A	CREATED DRAWING	11/8/16	EMK	-
REVISION LEVEL				

DRAWING NUMBER: 1114K & KF, 1116K & KF	SCALE: NTS	SHEET: 13 OF 14	REVISION: REV A
---	---------------	--------------------	--------------------

## **TROUBLESHOOTING YOUR GFCI ELECTRICAL RECEPTACLE:**

**PLEASE NOTE: THROUGHOUT ANY OF THE FOLLOWING STEPS (PROCEDURES); IF YOU ARE NOT SURE YOU CAN DO THIS JOB SAFELY, AND COMPETENTLY, REFER THIS WORK TO QUALIFIED PROFESSIONAL!**

**If your unit comes equipped with a GFCI (Ground Fault Circuit Interrupter) electrical receptacle, and there is no power in the receptacle please consider/check the following:**

- The extension cord (if being used) is working properly.
- The breaker hasn't been tripped, or turned off.

This type of GFCI has two testing-related buttons on it. One button is appropriately labeled "TEST", and the other button is labeled "RESET". To test the GFCI receptacle follow these steps:

- Plug in an appliance (lamp or night light) into the outlet. The light should now be on. Then press the "TEST" button on the GFCI. The GFCI "RESET" button should pop out, and the light should go out.
- If the "RESET" button pops out, but the light doesn't go out, the GFCI has been improperly wired. In this case please contact a certified professional. There may also be a problem with other wiring in the same circuit.
- If the "RESET" button doesn't pop out, the GFCI is defective, or malfunctioned, and should be replaced.
- If the GFCI is functioning properly, and the lamp goes out, press the "RESET" button to restore power to the outlet.

Conversely, if you have a GFI that has tripped (which is common) and it will not reset, you may have a wiring short in the circuit, a defective appliance on the circuit, or the GFI itself has become defective. To test a tripping GFCI follow these steps:

- Remove every appliance connected to the GFCI's circuit and reset it. If it doesn't reset there may either be a wiring fault behind a socket outlet, or your GFCI itself has become faulty.
- Make sure whatever you are plugging into to the GFCI is dry and not damaged.
- Only plug in one item at a time. If you are plugging in a defective item it will cause the GFCI to trip, and that item therefore should be replaced.

If you are still having difficulty the easiest way to troubleshoot a GFI is to obtain a GFI tester, which is available at most hardware stores. It plugs into the GFI outlet, and will supply you with a "snapshot" of your connections, indicating wiring problems and/or the condition of the GFI. Another way to troubleshoot is to simply purchase a new GFI and install it.