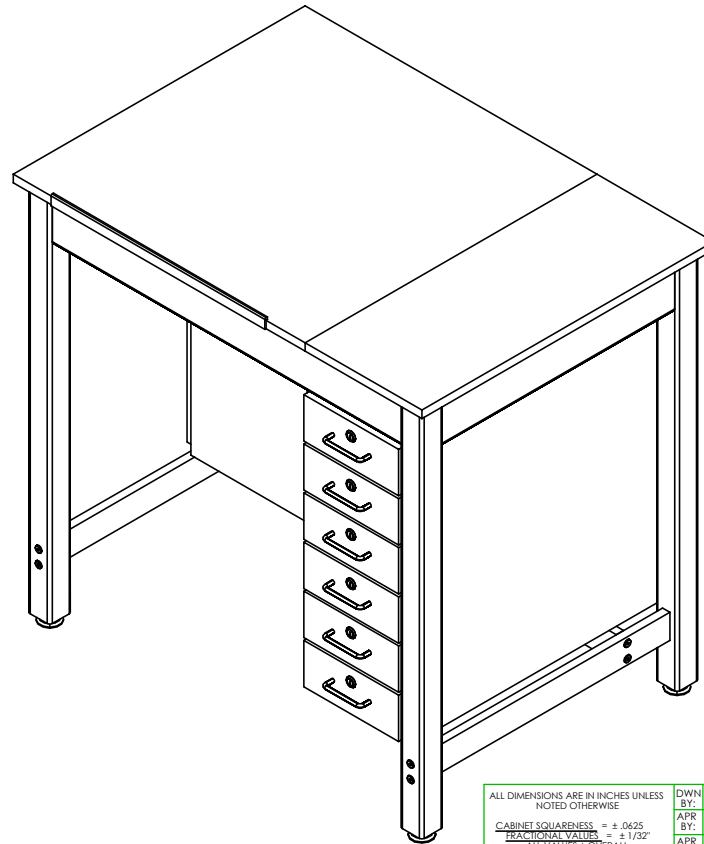


DRAWING TABLE SYSTEM

DT-33A & DT-63SA ASSEMBLY INSTRUCTIONS



NOTE:

1. MODEL VIEWS MAY NOT REPRESENT EXACT MODEL PURCHASED

ALL DIMENSIONS ARE IN INCHES UNLESS NOTED OTHERWISE	DWN BY: EMK	DATE DWN: 1/15/15
CABINET SQUARENESS = ± .0625	APR BY:	DATE APR:
FRACTURAL VALUES = ± 1/32"	APR BY:	DATE APR:
- ALL VALUES ± OVERALL -		

CONFIDENTIAL:
ALL DESIGN RIGHTS RESERVED
THE INFORMATION, DATA, DESIGN, AND DRAWINGS EMBODIED IN THIS DOCUMENT AND ALL REPRODUCTIONS THEREOF ARE THE EXCLUSIVE PROPERTY OF DIVERSIFIED WOODCRAFTS, INC.

THESE DOCUMENTS ARE SUPPLIED WITH THE UNDERSTANDING THAT THEY WILL NOT BE DISCLOSED TO THIRD PARTIES WITHOUT WRITTEN CONSENT OF DIVERSIFIED WOODCRAFTS, INC. ANY REPRODUCTION IN PART OR WHOLE WITHOUT WRITTEN CONSENT IS SUBJECT TO LEGAL ACTION.



300 South Krueger Street
Suring, WI 54174
diversifiedwoodcrafts.com

TITLE:
DRAWING TABLE SYSTEM - DRAWERS/BOARD STORAGE
ASSEMBLY INSTRUCTIONS

REV.	DESCRIPTION	DATE	NAME	ECN NO.
A	CREATED ASSEMBLY INSTRUCTIONS	1/15/15	EMK	-

REVISION LEVEL

DRAWING NUMBER: DT-33A & DT-63SA	SCALE: NTS	SHEET: 1 OF 11	REVISION: REV A
-------------------------------------	---------------	-------------------	--------------------

TOOLS REQUIRED

1/2" WRENCH
1/2" SOCKET AND TORQUE WRENCH - OPTIONAL
4MM ALL WRENCH
SCREW DRIVER

ASSEMBLY COMPONENTS

ITEMS INCLUDED	PART #	PART DESCRIPTION	QTY
TOP ASSEMBLY	N/A	TOP ASSEMBLY (FACTORY ASSEMBLED)	1
CABINET	N/A	CABINET - 10.625"W X 26.50"D X 27.00"H	2
LEGS	501102	LEG,MPL 2.25X2.25X38.25	4
LEG HARDWARE KIT	520001-4	LEG HARDWARE KIT, 4 LEGS	1
LEG BRACE	N/A	LEG BRACE - 24.00" LONG	2
STRETCHERS	N/A	STRETCHER - 37.50" LONG	1
CONFIRMATS - LEGS	227578	SCREW,7MMX90MM,CONN,ALLENHEAD, BLACK	8
CONFIRMATS - STRETCHER	228564	SCREW,7MMX50MM,CONN,ALLENHEAD, BLACK	4
BRACKETS - CABINETS	100355	BRACKET,RAIL 1.25X1.25X4.25	6
SCREWS - BRACKETS	100649	SCREW,#8X3/4 PHIL TRUSS HEAD SMS	24
PENCIL LEDGE	14-0027	PENCIL LEDGE - 22"	1
SCREWS - PENCIL LEDGE	236263	SCREW,#6X3/4 TRUSS HEAD,QUAD,BLACK	3

NOTE:

1.

ALL DIMENSIONS ARE IN INCHES UNLESS NOTED OTHERWISE	DWN BY: EMK	DATE DWN: 1/15/15
CABINET SQUARENESS = ± .0625	APR BY:	DATE APR:
FRAGMENTAL VALUES = ± 1/32"	APR BY:	DATE APR:
- ALL VALUES ± OVERALL -		

CONFIDENTIAL:
ALL DESIGN RIGHTS RESERVED
THE INFORMATION, DATA, DESIGN, AND DRAWINGS EMBODIED IN THIS DOCUMENT AND ALL REPRODUCTIONS THEREOF ARE THE EXCLUSIVE PROPERTY OF DIVERSIFIED WOODCRAFTS, INC.

THESE DOCUMENTS ARE SUPPLIED WITH THE UNDERSTANDING THAT THEY WILL NOT BE DISCLOSED TO THIRD PARTIES WITHOUT WRITTEN CONSENT OF DIVERSIFIED WOODCRAFTS, INC. ANY REPRODUCTION IN PART OR WHOLE WITHOUT WRITTEN CONSENT IS SUBJECT TO LEGAL ACTION.



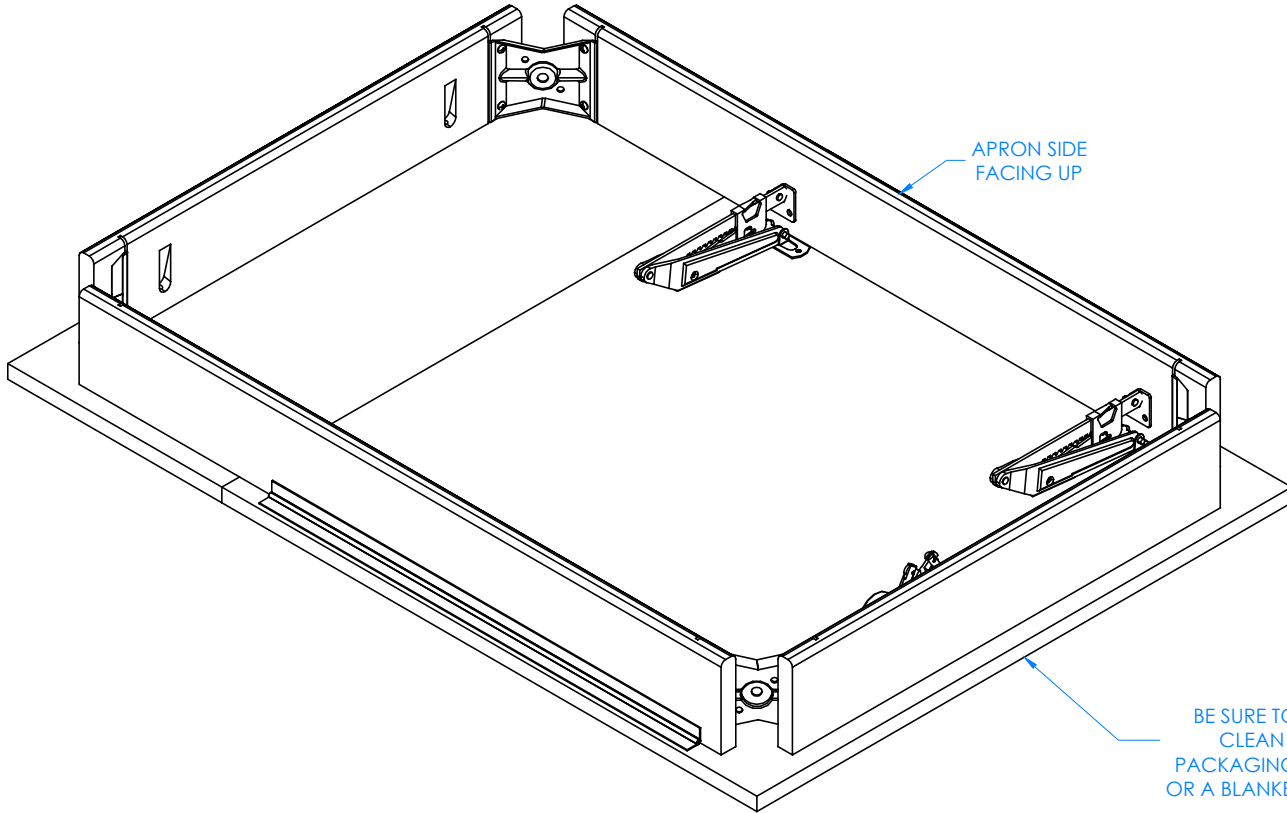
300 South Krueger Street
Suring, WI 54174
diversifiedwoodcrafts.com

TITLE:
DRAWING TABLE SYSTEM - DRAWERS/BOARD STORAGE TOOLS AND ASSEMBLY COMPONENTS

REV.	DESCRIPTION	DATE	NAME	ECN NO.
A	CREATED ASSEMBLY INSTRUCTIONS	1/15/15	EMK	-

REVISION LEVEL

DRAWING NUMBER: DT-33A & DT-63SA	SCALE: NTS	SHEET: 2 OF 11	REVISION: REV A
--	---------------	-------------------	--------------------



APRON SIDE
FACING UP

STEP 1:

- LAY APRON ASSEMBLY ON FLOOR WITH APRON SIDE FACING UP.

****NOTE****
BE SURE TOP ASSEMBLY IS ON A CLEAN SURFACE SUCH AS PACKAGING FOAM, CARDBOARD, OR A BLANKET TO PREVENT DAMAGE

NOTE:

1.

ALL DIMENSIONS ARE IN INCHES UNLESS NOTED OTHERWISE	DWN BY: EMK	DATE DWN: 1/15/15
CABINET SQUARENESS = ± .0625	APR BY:	DATE APR:
FRACTURAL VALUES = ± 1/32"	APR BY:	DATE APR:
- ALL VALUES OVERALL -		

CONFIDENTIAL:
ALL DESIGN RIGHTS RESERVED
THE INFORMATION, DATA, DESIGN, AND DRAWINGS EMBODIED IN THIS DOCUMENT AND ALL REPRODUCTIONS THEREOF ARE THE EXCLUSIVE PROPERTY OF DIVERSIFIED WOODCRAFTS, INC.

THESE DOCUMENTS ARE SUPPLIED WITH THE UNDERSTANDING THAT THEY WILL NOT BE DISCLOSED TO THIRD PARTIES WITHOUT WRITTEN CONSENT OF DIVERSIFIED WOODCRAFTS, INC. ANY REPRODUCTION IN PART OR WHOLE WITHOUT WRITTEN CONSENT IS SUBJECT TO LEGAL ACTION.

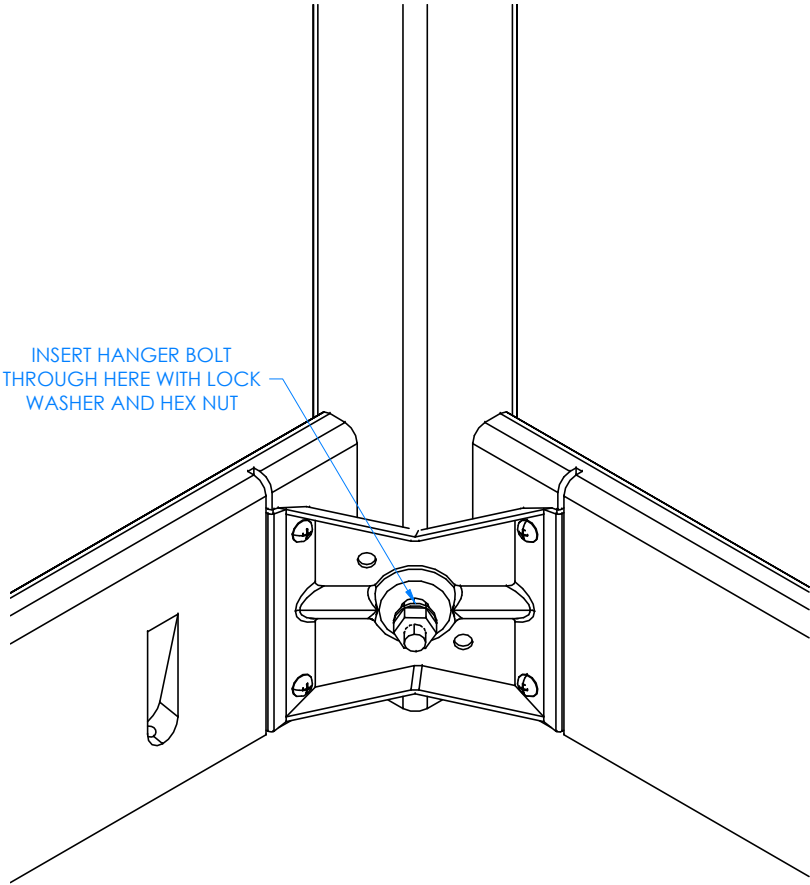


300 South Krueger Street
Suring, WI 54174
diversifiedwoodcrafts.com

TITLE:
DRAWING TABLE SYSTEM - DRAWERS/BOARD STORAGE
ASSEMBLY INSTRUCTIONS

REV.	DESCRIPTION	DATE	NAME	ECN NO.
A	CREATED ASSEMBLY INSTRUCTIONS	1/15/15	EMK	-
REVISION LEVEL				

DRAWING NUMBER: DT-33A & DT-63SA	SCALE: NTS	SHEET: 3 OF 11	REVISION: REV A
-------------------------------------	---------------	-------------------	--------------------



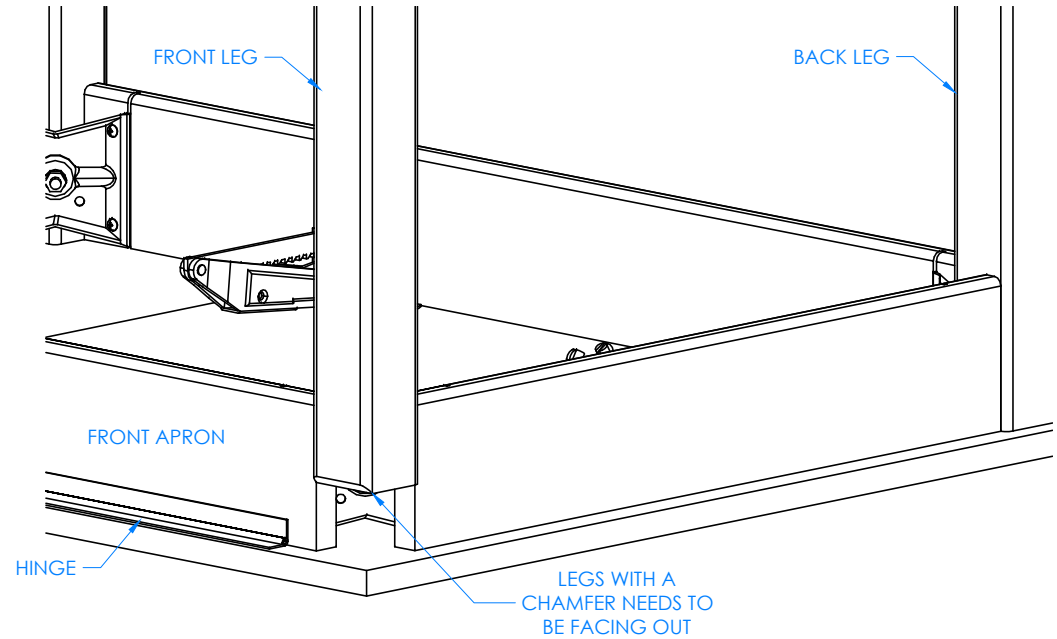
CLOSE UP OF CORNER LEG ASSEMBLY

NOTE:

1.

STEP 2:

- INSERT HANGER BOLT ON ONE LEG THROUGH THE CORNER BRACKET AND INSERT LOCK WASHER AND HEX NUT.
- SCREW ON NUT USING A 1/2" WRENCH OR 1/2" SOCKET AND TORQUE WRENCH. DO NOT TIGHTEN ALL THE WAY.
- REPEAT FOR THE OTHER LEG.
- THE LEGS WITH A CHAMFER MUST GO ON THE FRONT OF THE TABLE WITH CHAMFERED EDGE FACING OUT.



CLOSE UP OF LEG WITH A CHAMFER

REV.	DESCRIPTION	DATE	NAME	ECN NO.
A	CREATED ASSEMBLY INSTRUCTIONS	1/15/15	EMK	-
REVISION LEVEL				

ALL DIMENSIONS ARE IN INCHES UNLESS NOTED OTHERWISE	DWN BY: EMK	DATE DWN: 1/15/15
CABINET SQUARENESS = ± .0625	APR BY:	DATE APR:
FRACTURAL VALUES = ± 1/32"	APR BY:	DATE APR:
- ALL VALUES OVERALL -		

CONFIDENTIAL:
ALL DESIGN RIGHTS RESERVED
THE INFORMATION, DATA, DESIGN, AND DRAWINGS EMBODIED IN THIS DOCUMENT AND ALL REPRODUCTIONS THEREOF ARE THE EXCLUSIVE PROPERTY OF DIVERSIFIED WOODCRAFTS, INC.

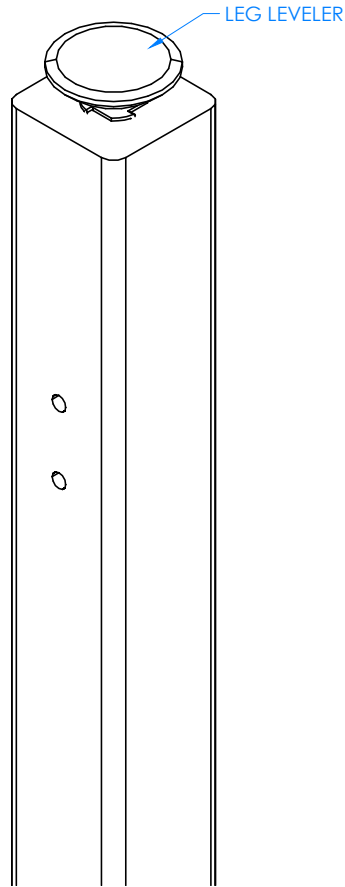
THESE DOCUMENTS ARE SUPPLIED WITH THE UNDERSTANDING THAT THEY WILL NOT BE DISCLOSED TO THIRD PARTIES WITHOUT WRITTEN CONSENT OF DIVERSIFIED WOODCRAFTS, INC. ANY REPRODUCTION IN PART OR WHOLE WITHOUT WRITTEN CONSENT IS SUBJECT TO LEGAL ACTION.



300 South Krueger Street
Suring, WI 54174
diversifiedwoodcrafts.com

TITLE:
DRAWING TABLE SYSTEM - DRAWERS/BOARD STORAGE ASSEMBLY INSTRUCTIONS

DRAWING NUMBER: DT-33A & DT-63SA	SCALE: NTS	SHEET: 4 OF 11	REVISION: REV A
-------------------------------------	---------------	-------------------	--------------------



CLOSE UP OF LEG LEVELER ASSEMBLY

STEP 3:

- SCREW LEG LEVELERS INTO T-NUT ON BOTTOM OF LEGS.

NOTE:

1.

ALL DIMENSIONS ARE IN INCHES UNLESS NOTED OTHERWISE	DWN BY: EMK	DATE DWN: 1/15/15
CABINET SQUARENESS = ± .0625	APR BY:	DATE APR:
FRACTIONAL VALUES = ± 1/32"	APR BY:	DATE APR:
- ALL VALUES ± OVERALL -		

CONFIDENTIAL:
ALL DESIGN RIGHTS RESERVED
THE INFORMATION, DATA, DESIGN, AND DRAWINGS EMBODIED IN THIS DOCUMENT AND ALL REPRODUCTIONS THEREOF ARE THE EXCLUSIVE PROPERTY OF DIVERSIFIED WOODCRAFTS, INC.

THESE DOCUMENTS ARE SUPPLIED WITH THE UNDERSTANDING THAT THEY WILL NOT BE DISCLOSED TO THIRD PARTIES WITHOUT WRITTEN CONSENT OF DIVERSIFIED WOODCRAFTS, INC. ANY REPRODUCTION IN PART OR WHOLE WITHOUT WRITTEN CONSENT IS SUBJECT TO LEGAL ACTION.

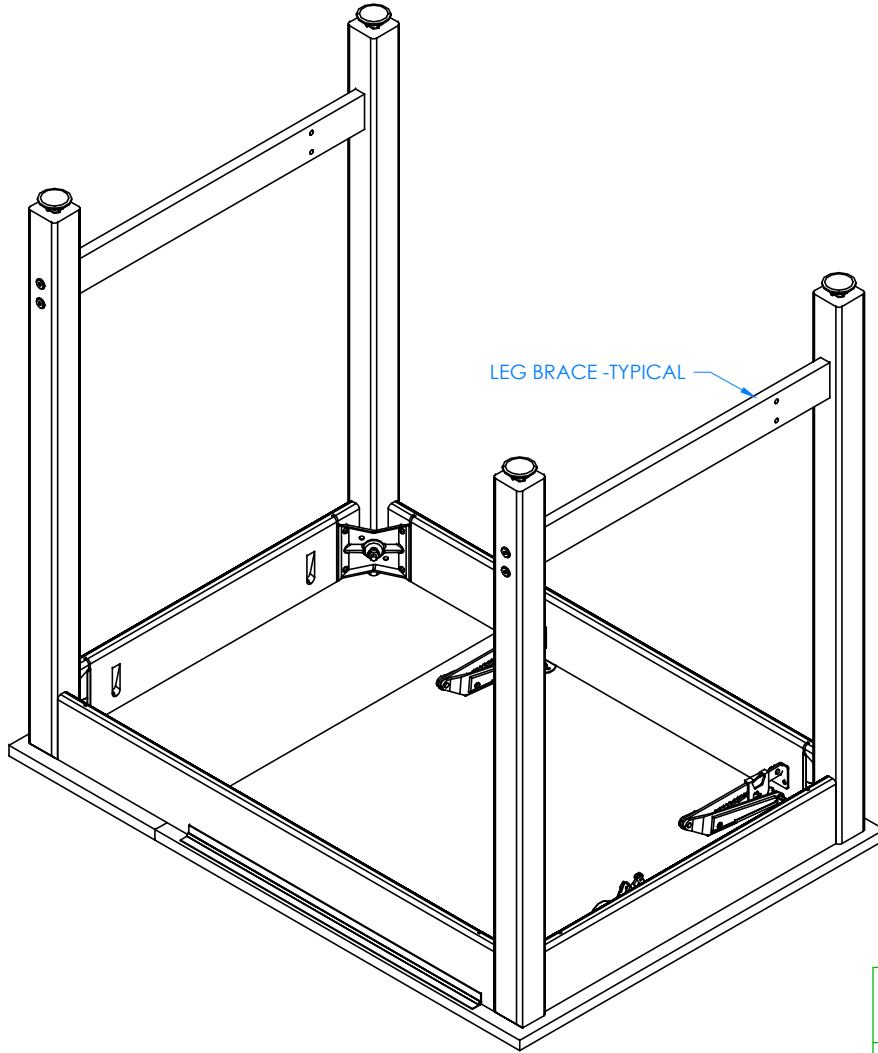


300 South Krueger Street
Suring, WI 54174
diversifiedwoodcrafts.com

TITLE:
DRAWING TABLE SYSTEM - DRAWERS/BOARD STORAGE ASSEMBLY INSTRUCTIONS

REV.	DESCRIPTION	DATE	NAME	ECN NO.
A	CREATED ASSEMBLY INSTRUCTIONS	1/15/15	EMK	-
REVISION LEVEL				

DRAWING NUMBER: DT-33A & DT-63SA	SCALE: NTS	SHEET: 5 OF 11	REVISION: REV A
--	---------------	-------------------	--------------------



STEP 4:

- ATTACH BRACES TO LEGS.
- INSERT CONFIRMATS INTO ONE LEG AND SCREW INTO BRACE.
- REPEAT FOR OTHER LEGS.
- MAKE SURE BRACES ARE STRAIGHT AND ALL CONFIRMATS ARE SECURE.

NOTE:

1.

ALL DIMENSIONS ARE IN INCHES UNLESS NOTED OTHERWISE		DWN BY:	EMK	DATE DWN:	1/15/15
CABINET SQUARENESS = ± .0625		APR BY:		DATE APR:	
PRACTICAL VALUES = ± 1/32"		APR BY:		DATE APR:	
- ALL VALUES ± OVERALL -					

CONFIDENTIAL:
 ALL DESIGN RIGHTS RESERVED
 THE INFORMATION, DATA, DESIGN, AND DRAWINGS EMBODIED IN THIS DOCUMENT AND ALL REPRODUCTIONS THEREOF ARE THE EXCLUSIVE PROPERTY OF DIVERSIFIED WOODCRAFTS, INC.

THESE DOCUMENTS ARE SUPPLIED WITH THE UNDERSTANDING THAT THEY WILL NOT BE DISCLOSED TO THIRD PARTIES WITHOUT WRITTEN CONSENT OF DIVERSIFIED WOODCRAFTS, INC. ANY REPRODUCTION IN PART OR WHOLE WITHOUT WRITTEN CONSENT IS SUBJECT TO LEGAL ACTION.



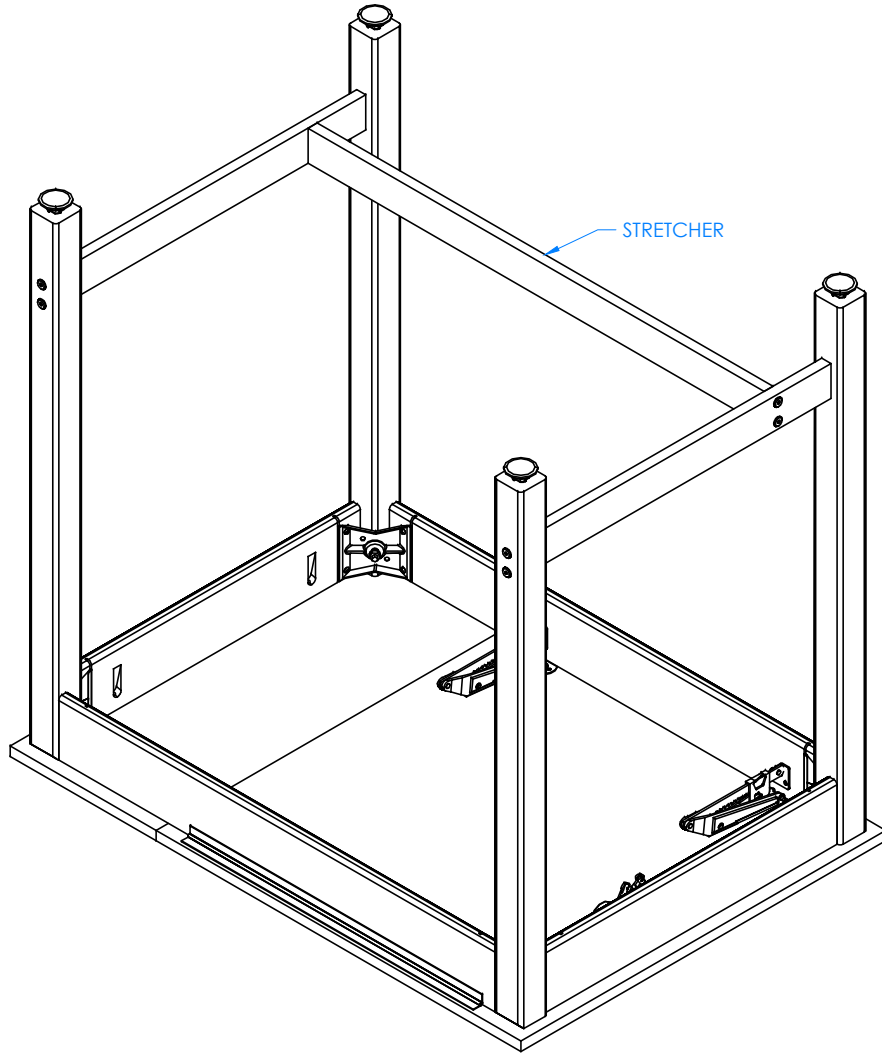
300 South Krueger Street
 Suring, WI 54174
 diversifiedwoodcrafts.com

TITLE:
 DRAWING TABLE SYSTEM - DRAWERS/BOARD STORAGE
 ASSEMBLY INSTRUCTIONS

A	CREATED ASSEMBLY INSTRUCTIONS	1/15/15	EMK	-
REV.	DESCRIPTION	DATE	NAME	ECN NO.

REVISION LEVEL

DRAWING NUMBER:	SCALE:	SHEET:	REVISION:
DT-33A & DT-63SA	NTS	6 OF 11	REV A



NOTE:

1.

STEP 5:

- ATTACH STRETCHER TO BRACES WITH HARDWARE PROVIDED.
- GO BACK TO STEP 2 AND TIGHTEN UP THE HANGER BOLTS FOR EACH LEG USING A 1/2" WRENCH OR 1/2" SOCKET AND TORQUE WRENCH, TO A MINIMUM OF 12FT LBS BUT NOT TO EXCEED 17FT LBS.

ALL DIMENSIONS ARE IN INCHES UNLESS NOTED OTHERWISE	DWN BY: EMK	DATE DWN: 1/15/15
CABINET SQUARENESS = ± .0625	APR BY:	DATE APR:
FRACTURAL VALUES = ± 1/32"	APR BY:	DATE APR:
- ALL VALUES ± OVERALL -		

CONFIDENTIAL:
 ALL DESIGN RIGHTS RESERVED
 THE INFORMATION, DATA, DESIGN, AND DRAWINGS EMBODIED IN THIS DOCUMENT AND ALL REPRODUCTIONS THEREOF ARE THE EXCLUSIVE PROPERTY OF DIVERSIFIED WOODCRAFTS, INC.

THESE DOCUMENTS ARE SUPPLIED WITH THE UNDERSTANDING THAT THEY WILL NOT BE DISCLOSED TO THIRD PARTIES WITHOUT WRITTEN CONSENT OF DIVERSIFIED WOODCRAFTS, INC. ANY REPRODUCTION IN PART OR WHOLE WITHOUT WRITTEN CONSENT IS SUBJECT TO LEGAL ACTION.



300 South Krueger Street
 Suring, WI 54174
 diversifiedwoodcrafts.com

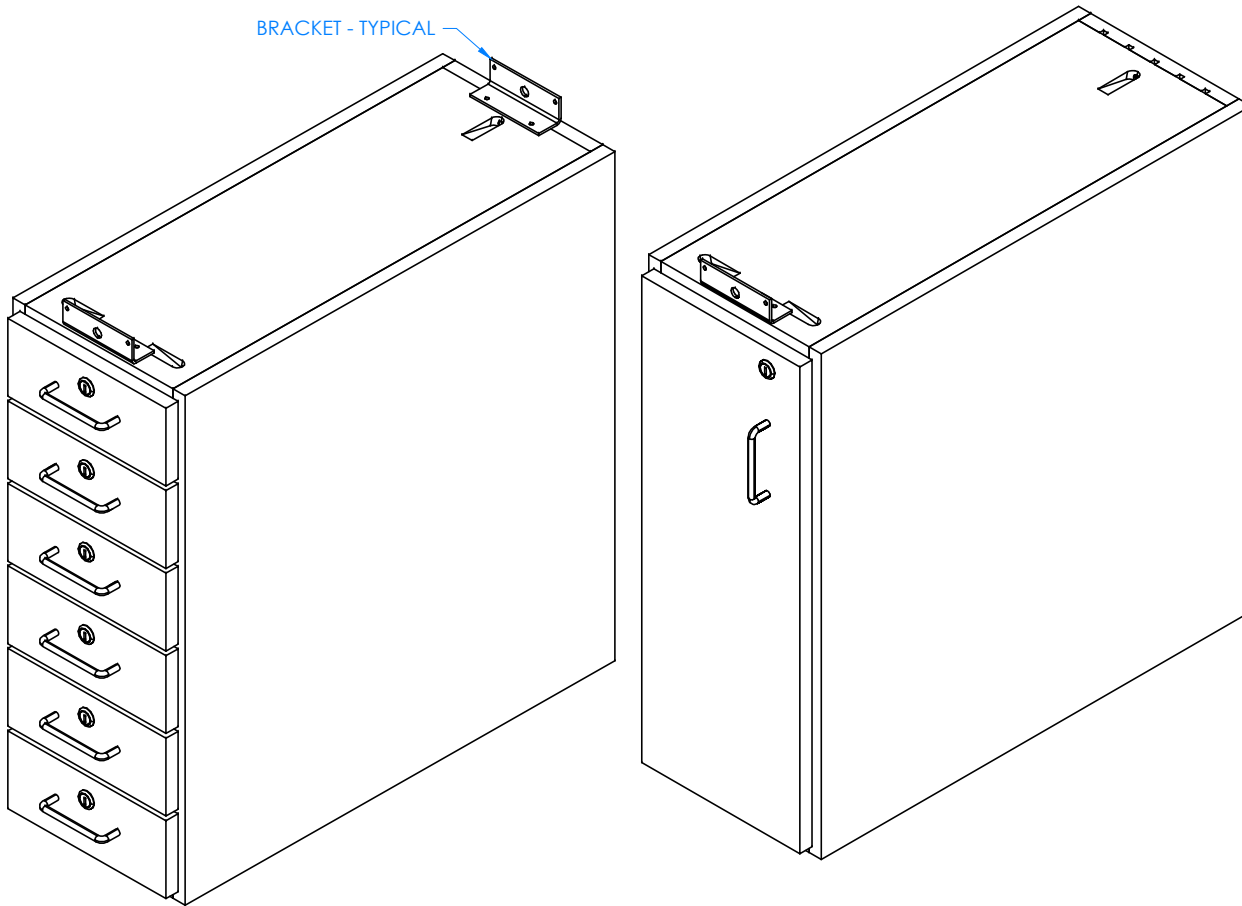
TITLE:
DRAWING TABLE SYSTEM - DRAWERS/BOARD STORAGE ASSEMBLY INSTRUCTIONS

REV.	DESCRIPTION	DATE	NAME	ECN NO.
A	CREATED ASSEMBLY INSTRUCTIONS	1/15/15	EMK	-

REVISION LEVEL

DRAWING NUMBER: DT-33A & DT-63SA	SCALE: NTS	SHEET: 7 OF 11	REVISION: REV A
--	---------------	-------------------	--------------------

BRACKET - TYPICAL



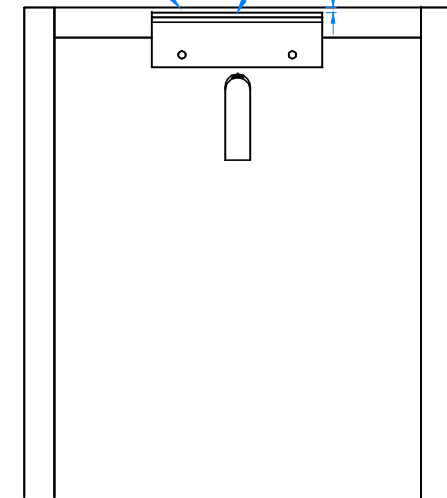
STEP 6:

- ATTACH TWO BRACKETS TO TOP OF DRAWER CABINET AND ONE BRACKET ON TOP OF DOOR CABINET WITH HARDWARE PROVIDED.
- PLACE BRACKETS SLIGHTLY BACK FROM EDGE OF CASE.
- THIS WILL PREVENT BRACKETS FROM HITTING APRONS WHEN YOU LOWER CASE INTO PLACE.

BACK EDGE OF CABINET

BRACKET

0.125



TOP OF CABINET SHOWN

NOTE:

1.

ALL DIMENSIONS ARE IN INCHES UNLESS NOTED OTHERWISE	DWN BY: EMK	DATE DWN: 1/15/15
CABINET SQUARENESS = ± .0625	APR BY:	DATE APR:
FRACTIONAL VALUES = ± 1/32"	APR BY:	DATE APR:
- ALL VALUES ± OVERALL -		

CONFIDENTIAL:
ALL DESIGN RIGHTS RESERVED
THE INFORMATION, DATA, DESIGN, AND DRAWINGS EMBODIED IN THIS DOCUMENT AND ALL REPRODUCTIONS THEREOF ARE THE EXCLUSIVE PROPERTY OF DIVERSIFIED WOODCRAFTS, INC.

THESE DOCUMENTS ARE SUPPLIED WITH THE UNDERSTANDING THAT THEY WILL NOT BE DISCLOSED TO THIRD PARTIES WITHOUT WRITTEN CONSENT OF DIVERSIFIED WOODCRAFTS, INC. ANY REPRODUCTION IN PART OR WHOLE WITHOUT WRITTEN CONSENT IS SUBJECT TO LEGAL ACTION.

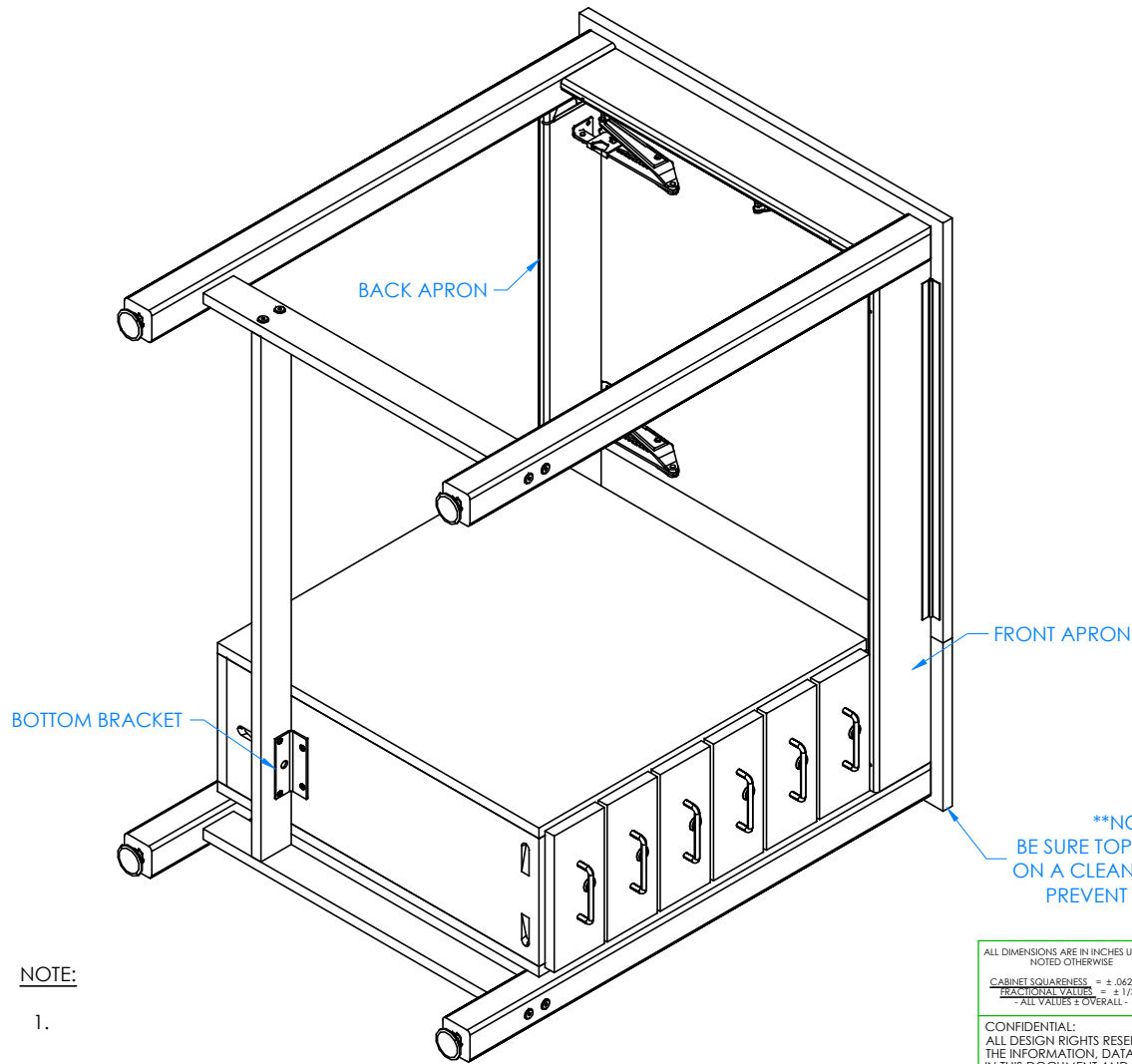


300 South Krueger Street
Suring, WI 54174
diversifiedwoodcrafts.com

TITLE:
DRAWING TABLE SYSTEM - DRAWERS/BOARD STORAGE
ASSEMBLY INSTRUCTIONS

REV.	DESCRIPTION	DATE	NAME	ECN NO.
A	CREATED ASSEMBLY INSTRUCTIONS	1/15/15	EMK	-
REVISION LEVEL				

DRAWING NUMBER: DT-33A & DT-63SA	SCALE: NTS	SHEET: 8 OF 11	REVISION: REV A
-------------------------------------	---------------	-------------------	--------------------



STEP 7:

- WITH HELP FROM MULTIPLE PEOPLE, TIP TABLE ON ITS SIDE SO RIGHT SIDE OF TABLE IS ON FLOOR.
- FACE DRAWERS ON CABINET TO THE FRONT OF TABLE AND THE TWO TOP BRACKETS TOWARDS TABLE TOP.
- FIT BOTH BRACKETS INSIDE FRONT AND BACK APRONS.
- LOWER CABINET ONTO TABLE LEGS.
- SCREW THE LAST BRACKET ONTO STRETCHER AND BOTTOM OF CABINET WITH HARDWARE PROVIDED.

****NOTE****
BE SURE TOP ASSEMBLY IS ON A CLEAN SURFACE TO PREVENT DAMAGE

NOTE:

1.

ALL DIMENSIONS ARE IN INCHES UNLESS NOTED OTHERWISE		DWN BY:	EMK	DATE DWN:	1/15/15
CABINET SQUARENESS = ± .0625		APR BY:		DATE APR:	
FRACTIONAL VALUES = ± 1/32"		APR BY:		DATE APR:	
- ALL VALUES ± OVERALL -					

CONFIDENTIAL:
ALL DESIGN RIGHTS RESERVED
THE INFORMATION, DATA, DESIGN, AND DRAWINGS EMBODIED IN THIS DOCUMENT AND ALL REPRODUCTIONS THEREOF ARE THE EXCLUSIVE PROPERTY OF DIVERSIFIED WOODCRAFTS, INC.

THESE DOCUMENTS ARE SUPPLIED WITH THE UNDERSTANDING THAT THEY WILL NOT BE DISCLOSED TO THIRD PARTIES WITHOUT WRITTEN CONSENT OF DIVERSIFIED WOODCRAFTS, INC. ANY REPRODUCTION IN PART OR WHOLE WITHOUT WRITTEN CONSENT IS SUBJECT TO LEGAL ACTION.

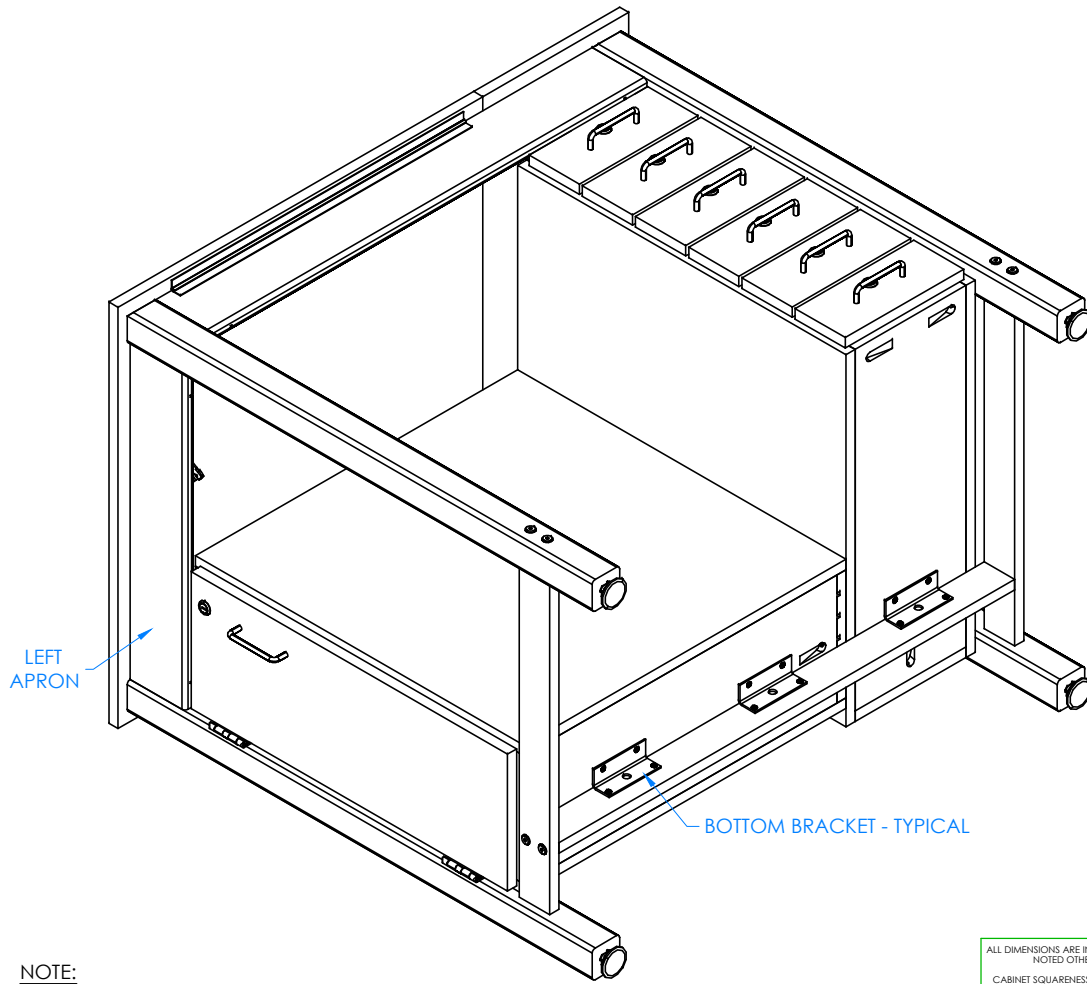


300 South Krueger Street
Suring, WI 54174
diversifiedwoodcrafts.com

TITLE:
DRAWING TABLE SYSTEM - DRAWERS/BOARD STORAGE ASSEMBLY INSTRUCTIONS

REV.	DESCRIPTION	DATE	NAME	ECN NO.
A	CREATED ASSEMBLY INSTRUCTIONS	1/15/15	EMK	-
REVISION LEVEL				

DRAWING NUMBER:	SCALE:	SHEET:	REVISION:
DT-33A & DT-63SA	NTS	9 OF 11	REV A



STEP 8:

- LAY TABLE DOWN ON ITS BACK WITH FRONT FACING UP.
- PLACE DOOR CABINET IN BETWEEN THE LEFT APRON AND DRAWER CABINET.
- ATTACH TOP BRACKET TO LEFT APRON AND TWO BOTTOM BRACKETS TO STRETCHER AND BOTTOM OF CABINET WITH HARDWARE PROVIDED.
- HOLES NEED TO BE PRE-DRILLED BEFORE ATTACHING BRACKETS TO APRON.

NOTE:

1.

ALL DIMENSIONS ARE IN INCHES UNLESS NOTED OTHERWISE	DWN BY: EMK	DATE DWN: 1/15/15
CABINET SQUARENESS = ± .0625	APR BY:	DATE APR:
FRACTURAL VALUES = ± 1/32"	APR BY:	DATE APR:
- ALL VALUES OVERALL -		

CONFIDENTIAL:
 ALL DESIGN RIGHTS RESERVED
 THE INFORMATION, DATA, DESIGN, AND DRAWINGS EMBODIED IN THIS DOCUMENT AND ALL REPRODUCTIONS THEREOF ARE THE EXCLUSIVE PROPERTY OF DIVERSIFIED WOODCRAFTS, INC.

THESE DOCUMENTS ARE SUPPLIED WITH THE UNDERSTANDING THAT THEY WILL NOT BE DISCLOSED TO THIRD PARTIES WITHOUT WRITTEN CONSENT OF DIVERSIFIED WOODCRAFTS, INC. ANY REPRODUCTION IN PART OR WHOLE WITHOUT WRITTEN CONSENT IS SUBJECT TO LEGAL ACTION.



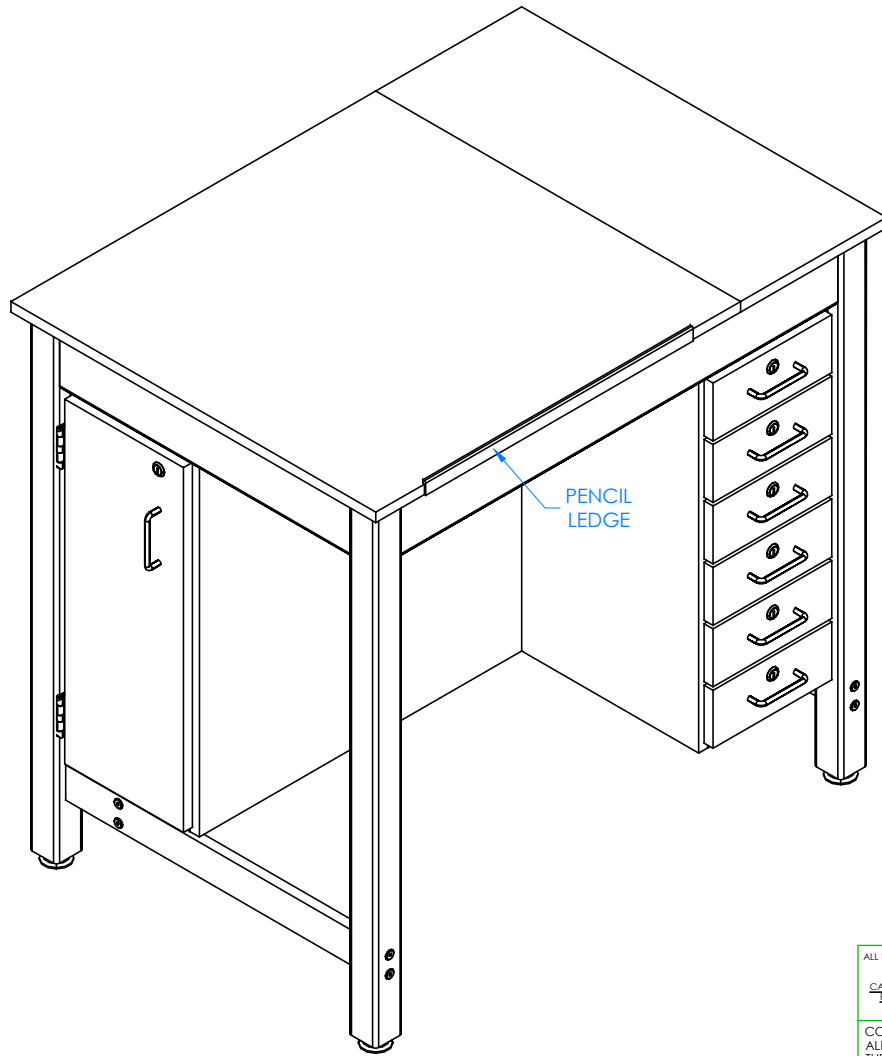
300 South Krueger Street
 Suring, WI 54174
 diversifiedwoodcrafts.com

TITLE:
 DRAWING TABLE SYSTEM - DRAWERS/BOARD STORAGE ASSEMBLY INSTRUCTIONS

A	CREATED ASSEMBLY INSTRUCTIONS	1/15/15	EMK	-
REV.	DESCRIPTION	DATE	NAME	ECN NO.

REVISION LEVEL

DRAWING NUMBER: DT-33A & DT-63SA	SCALE: NTS	SHEET: 10 OF 11	REVISION: REV A
-------------------------------------	---------------	--------------------	--------------------



NOTE:

1.

STEP 9:

- LINE UP PENCIL LEDGE ON SIDE OF ADJUSTABLE TOP IN DESIRED LOCATION.
- PRE-DRILL HOLES IN TOP TO PREVENT SPLITTING.
- SCREW PENCIL LEDGE TO TOP USING HARDWARE PROVIDED.
- SET YOUR TABLE IN PLACE.
- ADJUST LEG LEVELERS TO LEVEL TABLE.

COMPLETE UNIT SHOWN

REV.	DESCRIPTION	DATE	NAME	ECN NO.
A	CREATED ASSEMBLY INSTRUCTIONS	1/15/15	EMK	-
REVISION LEVEL				

ALL DIMENSIONS ARE IN INCHES UNLESS NOTED OTHERWISE	DWN BY: EMK	DATE DWN: 1/15/15
CABINET SQUARENESS = ± .0625	APR BY:	DATE APR:
FRACTURAL VALUES = ± 1/32"	APR BY:	DATE APR:
- ALL VALUES ± OVERALL -		

CONFIDENTIAL:
 ALL DESIGN RIGHTS RESERVED
 THE INFORMATION, DATA, DESIGN, AND DRAWINGS EMBODIED IN THIS DOCUMENT AND ALL REPRODUCTIONS THEREOF ARE THE EXCLUSIVE PROPERTY OF DIVERSIFIED WOODCRAFTS, INC.

THESE DOCUMENTS ARE SUPPLIED WITH THE UNDERSTANDING THAT THEY WILL NOT BE DISCLOSED TO THIRD PARTIES WITHOUT WRITTEN CONSENT OF DIVERSIFIED WOODCRAFTS, INC. ANY REPRODUCTION IN PART OR WHOLE WITHOUT WRITTEN CONSENT IS SUBJECT TO LEGAL ACTION.



300 South Krueger Street
 Suring, WI 54174
 diversifiedwoodcrafts.com

TITLE:
 DRAWING TABLE SYSTEM - DRAWERS/BOARD STORAGE
 ASSEMBLY INSTRUCTIONS

DRAWING NUMBER: DT-33A & DT-63SA	SCALE: NTS	SHEET: 11 OF 11	REVISION: REV A
--	---------------	--------------------	--------------------