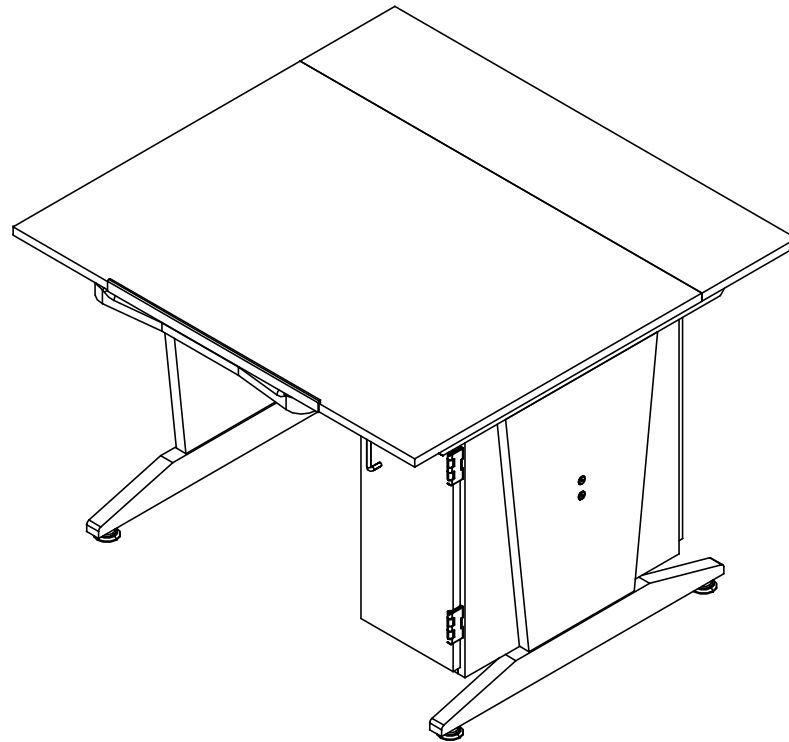


ADJ. DRAFTING/DRAWING TABLE

CDTC-1, CDTC-1 UDK, CDTC-1SP, CDTC-1M, CDTC-1SP UDK, CDTC-1M UDK, CDTC-1VT, CDTC-1VT UDK, CDTC-1VTSP, CDTC-1VTM, CDTC-1VTSP UDK, & CDTC-1VTM UDK SERIES
ASSEMBLY INSTRUCTIONS



NOTE:

1. MODEL VIEWS MAY NOT REPRESENT EXACT MODEL PURCHASED

ALL DIMENSIONS ARE IN INCHES UNLESS NOTED OTHERWISE	DWN BY: EMK	DATE DWN: 1/19/15
CABINET SQUARENESS = ± .0625	APR BY:	DATE APR:
FRACTURAL VALUES = ± 1/32"	APR BY:	DATE APR:
- ALL VALUES ± OVERALL -		

CONFIDENTIAL:
 ALL DESIGN RIGHTS RESERVED
 THE INFORMATION, DATA, DESIGN, AND DRAWINGS EMBODIED IN THIS DOCUMENT AND ALL REPRODUCTIONS THEREOF ARE THE EXCLUSIVE PROPERTY OF DIVERSIFIED WOODCRAFTS, INC.

THESE DOCUMENTS ARE SUPPLIED WITH THE UNDERSTANDING THAT THEY WILL NOT BE DISCLOSED TO THIRD PARTIES WITHOUT WRITTEN CONSENT OF DIVERSIFIED WOODCRAFTS, INC. ANY REPRODUCTION IN PART OR WHOLE WITHOUT WRITTEN CONSENT IS SUBJECT TO LEGAL ACTION.



300 South Krueger Street
 Suring, WI 54174
 diversifiedwoodcrafts.com

TITLE:
**ADJUSTABLE DRAFTING/DRAWING TABLE
 ASSEMBLY INSTRUCTIONS**

REV.	DESCRIPTION	DATE	NAME	ECN NO.
A	CREATED ASSEMBLY INSTRUCTIONS	1/19/15	EMK	-
REVISION LEVEL				

DRAWING NUMBER: CDTC-1 & CDTC-1VT SERIES	SCALE: NTS	SHEET: 1 OF 7	REVISION: REV A
--	---------------	------------------	--------------------

TOOLS REQUIRED

SCREW DRIVER

ASSEMBLY COMPONENTS

ITEMS INCLUDED	PART #	PART DESCRIPTION	QTY
TOP, CABINET, LEGS, AND APRON ASSEMBLY	N/A	TOP ASSEMBLY (FACTORY ASSEMBLED)	1
LEG LEVELERS	100079	LEG LEVELER, BLK BASE 1	4
PENCIL LEDGE	14-0027	PENCIL LEDGE - 24"	1
SCREWS - PENCIL LEDGE	236263	SCREW, #6X ³ / ₄ TRUSS HEAD, QUAD, BLACK	3
MONITOR BASE ASSEMBLY	243335	HAFELE MONITOR BASE ASSEMBLY	1
MONITOR ARM	15-0185	HAFELE FLAT SCREEN ARM	1
KEYBOARD TRAY KIT	214416	TRAY, KEYBOARD, SLIDE OUT, #KVKD100	1
MOUSE TRAY	232173	TRAY, MOUSE, KIT	1
STATIONARY PLATFORM	15-0058	MONITOR - STATIONARY PLATFORM	1
BOLTS - STATIONARY PLATFORM	236926	BOLT, 1/4-20X1.75, MACHINE HEAD	4
NUTS - STATIONARY PLATFORM	100483	NUTS, 1/4-20 HEX ZINC	4
WASHERS - STATIONARY PLATFORM	236927	WASHER, INTERNAL LOCK ¹ / ₄	4
WASHERS - STATIONARY PLATFORM	236928	WASHER, ¹ / ₄ FLAT ZINC PLATED	4

NOTE:

- **XX** INDICATES ITEMS THAT MAY NOT COME WITH UNIT (DEPENDING ON MODEL PURCHASED).

ALL DIMENSIONS ARE IN INCHES UNLESS NOTED OTHERWISE	DWN BY: EMK	DATE DWN: 1/19/15
CABINET SQUARENESS = ± .0625	APR BY:	DATE APR:
FRAGILICAL VALUES = ± 1/32"	APR BY:	DATE APR:
- ALL VALUES ± OVERALL -		

CONFIDENTIAL:
ALL DESIGN RIGHTS RESERVED
THE INFORMATION, DATA, DESIGN, AND DRAWINGS EMBODIED IN THIS DOCUMENT AND ALL REPRODUCTIONS THEREOF ARE THE EXCLUSIVE PROPERTY OF DIVERSIFIED WOODCRAFTS, INC.

THESE DOCUMENTS ARE SUPPLIED WITH THE UNDERSTANDING THAT THEY WILL NOT BE DISCLOSED TO THIRD PARTIES WITHOUT WRITTEN CONSENT OF DIVERSIFIED WOODCRAFTS, INC. ANY REPRODUCTION IN PART OR WHOLE WITHOUT WRITTEN CONSENT IS SUBJECT TO LEGAL ACTION.



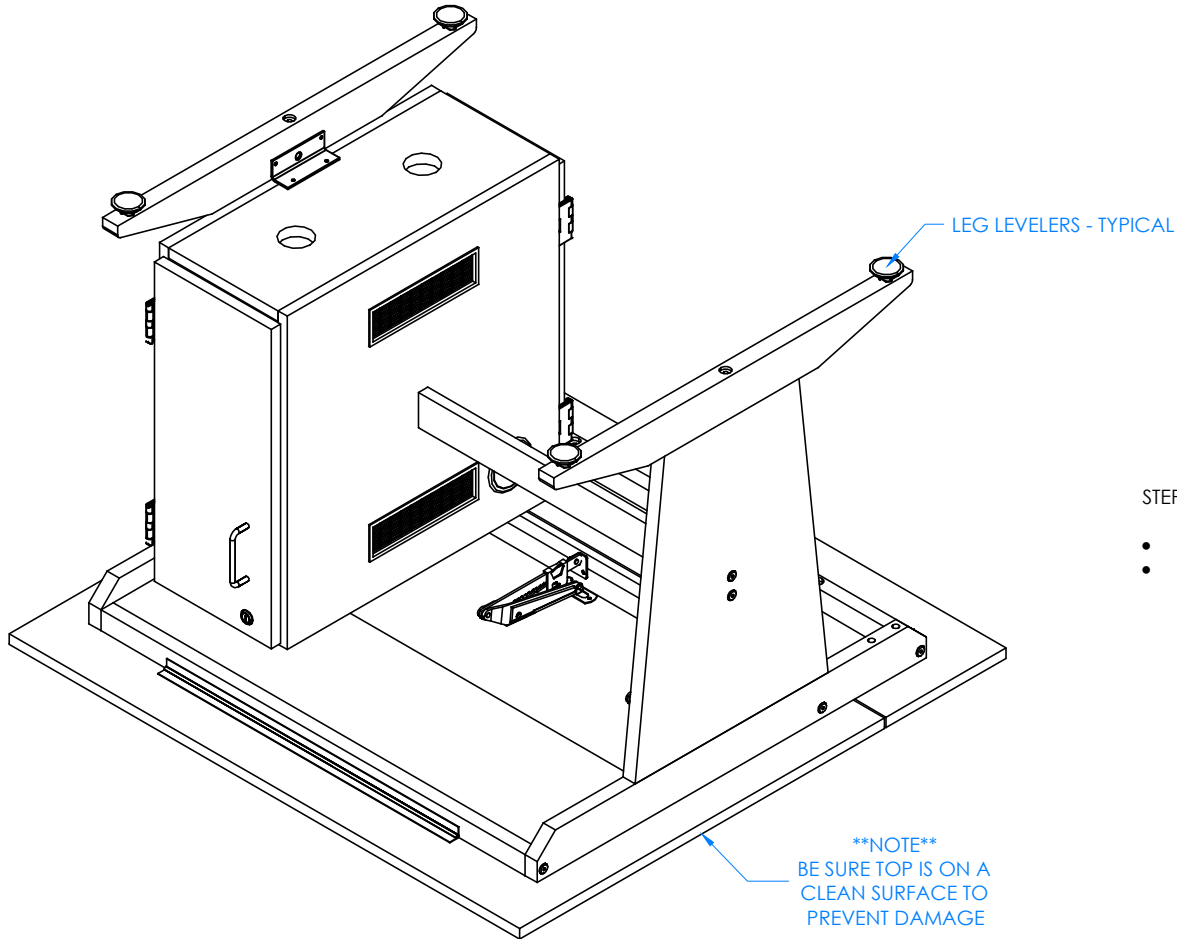
300 South Krueger Street
Suring, WI 54174
diversifiedwoodcrafts.com

TITLE:
ADJUSTABLE DRAFTING/DRAWING TABLE
TOOLS AND ASSEMBLY COMPONENTS

A	CREATED ASSEMBLY INSTRUCTIONS	1/19/15	EMK	-
REV.	DESCRIPTION	DATE	NAME	ECN NO.

REVISION LEVEL

DRAWING NUMBER: CDTC-1 & CDTC-1VT SERIES	SCALE: NTS	SHEET: 2 OF 7	REVISION: REV A
--	---------------	------------------	--------------------



STEP 1:

- LAY TABLE ON FLOOR WITH LEGS FACING UP.
- SCREW LEG LEVELERS INTO T-NUT ON BOTTOM OF LEGS.

NOTE:

1.

ALL DIMENSIONS ARE IN INCHES UNLESS NOTED OTHERWISE	DWN BY: EMK	DATE DWN: 1/19/15
CABINET SQUARENESS = ± .0625	APR BY:	DATE APR:
FRACTURAL VALUES = ± 1/32"	APR BY:	DATE APR:
- ALL VALUES OVERALL -		

CONFIDENTIAL:
ALL DESIGN RIGHTS RESERVED
THE INFORMATION, DATA, DESIGN, AND DRAWINGS EMBODIED IN THIS DOCUMENT AND ALL REPRODUCTIONS THEREOF ARE THE EXCLUSIVE PROPERTY OF DIVERSIFIED WOODCRAFTS, INC.

THESE DOCUMENTS ARE SUPPLIED WITH THE UNDERSTANDING THAT THEY WILL NOT BE DISCLOSED TO THIRD PARTIES WITHOUT WRITTEN CONSENT OF DIVERSIFIED WOODCRAFTS, INC. ANY REPRODUCTION IN PART OR WHOLE WITHOUT WRITTEN CONSENT IS SUBJECT TO LEGAL ACTION.

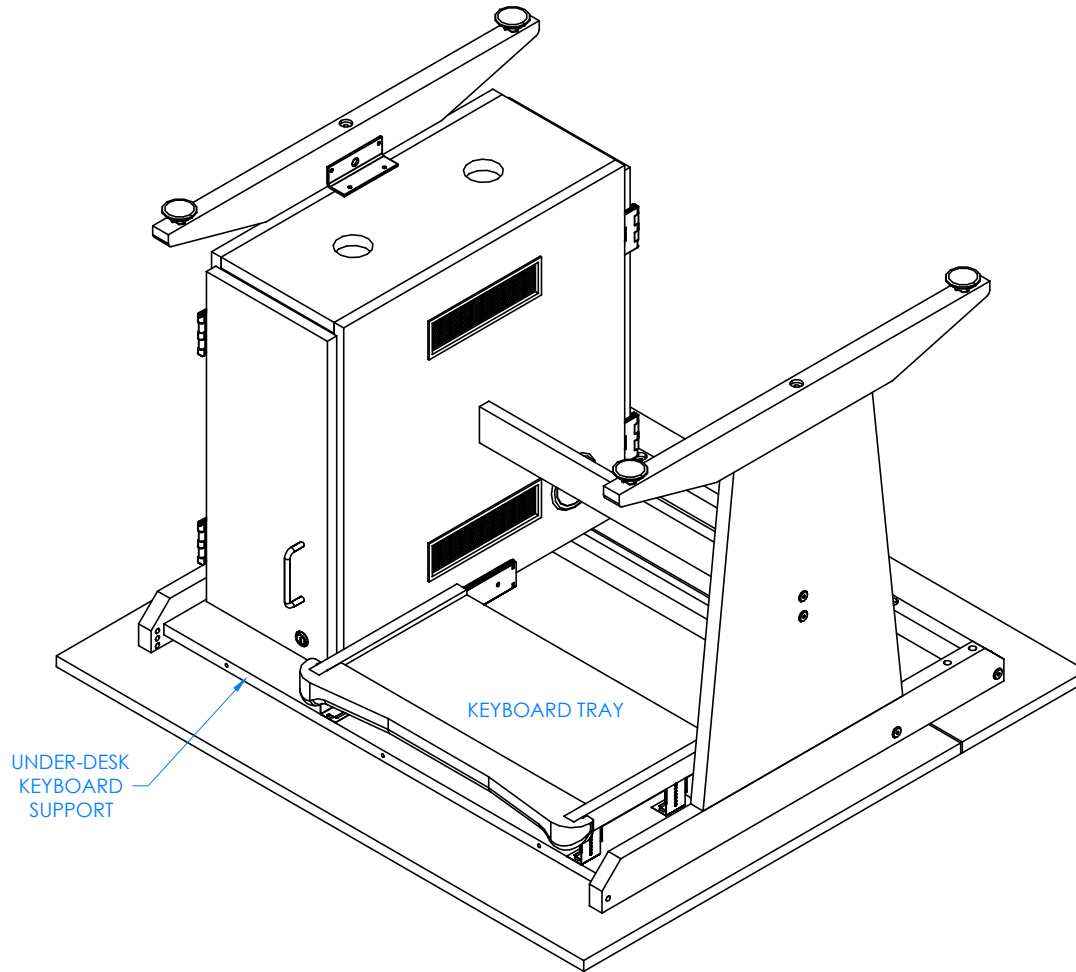


300 South Krueger Street
Suring, WI 54174
diversifiedwoodcrafts.com

TITLE:
ADJUSTABLE DRAFTING/DRAWING TABLE
ASSEMBLY INSTRUCTIONS

REV.	DESCRIPTION	DATE	NAME	ECN NO.
A	CREATED ASSEMBLY INSTRUCTIONS	1/19/15	EMK	-
REVISION LEVEL				

DRAWING NUMBER: CDTC-1 & CDTC-1VT SERIES	SCALE: NTS	SHEET: 3 OF 7	REVISION: REV A
---	---------------	------------------	--------------------



STEP 2:

- IF YOUR TABLE HAS A KEYBOARD TRAY, ATTACH TO THE UNDER-DESK KEYBOARD SUPPORT WITH HARDWARE PROVIDED.

NOTE:

1.

ALL DIMENSIONS ARE IN INCHES UNLESS NOTED OTHERWISE	DWN BY: EMK	DATE DWN: 1/19/15
CABINET SQUARENESS = ± .0625	APR BY:	DATE APR:
FRACTIONAL VALUES = ± 1/32"	APR BY:	DATE APR:
- ALL VALUES ± OVERALL -		

CONFIDENTIAL:
ALL DESIGN RIGHTS RESERVED
THE INFORMATION, DATA, DESIGN, AND DRAWINGS EMBODIED IN THIS DOCUMENT AND ALL REPRODUCTIONS THEREOF ARE THE EXCLUSIVE PROPERTY OF DIVERSIFIED WOODCRAFTS, INC.

THESE DOCUMENTS ARE SUPPLIED WITH THE UNDERSTANDING THAT THEY WILL NOT BE DISCLOSED TO THIRD PARTIES WITHOUT WRITTEN CONSENT OF DIVERSIFIED WOODCRAFTS, INC. ANY REPRODUCTION IN PART OR WHOLE WITHOUT WRITTEN CONSENT IS SUBJECT TO LEGAL ACTION.

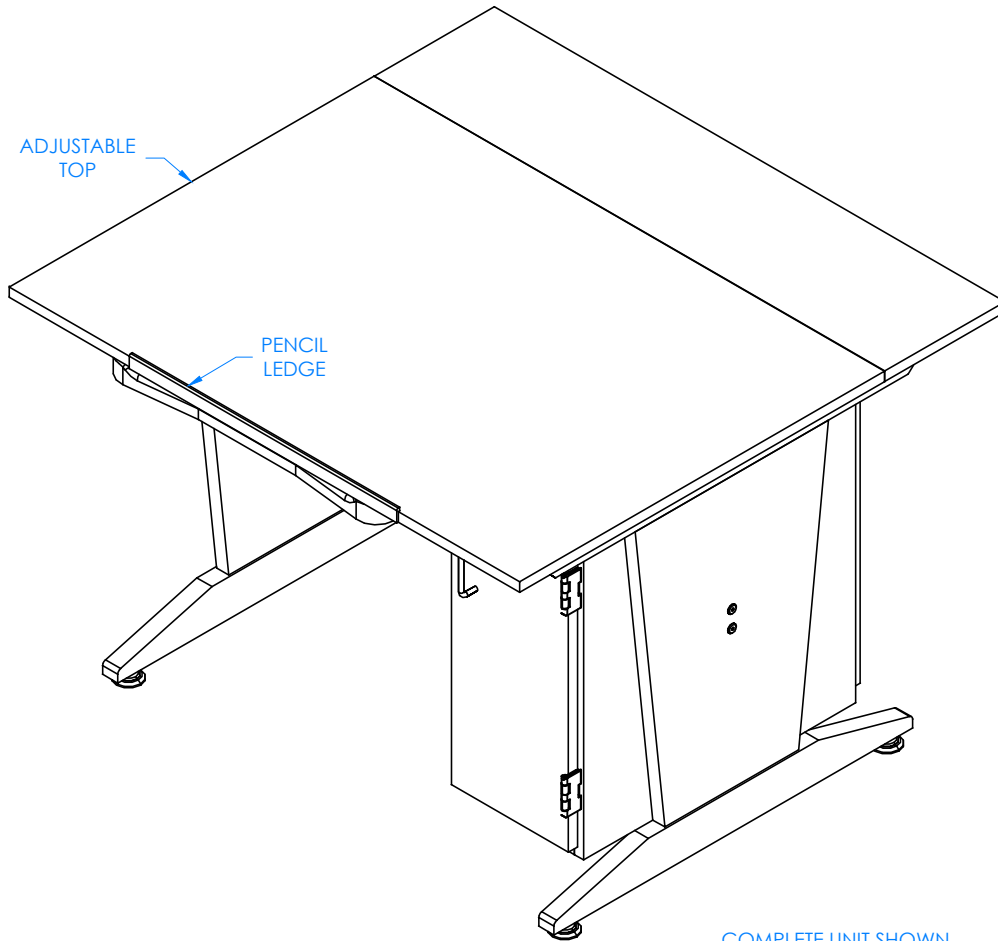


300 South Krueger Street
Suring, WI 54174
diversifiedwoodcrafts.com

TITLE:
ADJUSTABLE DRAFTING/DRAWING TABLE
ASSEMBLY INSTRUCTIONS

REV.	DESCRIPTION	DATE	NAME	ECN NO.
A	CREATED ASSEMBLY INSTRUCTIONS	1/19/15	EMK	-
REVISION LEVEL				

DRAWING NUMBER: CDTC-1 & CDTC-1VT SERIES	SCALE: NTS	SHEET: 4 OF 7	REVISION: REV A
---	---------------	------------------	--------------------



STEP 3:

- TURN TABLE OVER SO TOP IS UP.
- LINE UP PENCIL LEDGE ON FRONT OF ADJUSTABLE TOP IN DESIRED LOCATION.
- SCREW PENCIL LEDGE TO TOP USING SCREWS PROVIDED. HOLES NEED TO BE PREDRILLED TO PREVENT TOP FROM SPLITTING.
- SET YOUR TABLE IN PLACE
- ADJUST LEG LEVELERS TO LEVEL TABLE.

COMPLETE UNIT SHOWN

NOTE:

1.

ALL DIMENSIONS ARE IN INCHES UNLESS NOTED OTHERWISE			
CABINET SQUARENESS = ± .0625	DWN BY: EMK	DATE DWN: 1/19/15	
FRACTIONAL VALUES = ± 1/32"	APR BY:	DATE APR:	
- ALL VALUES ± OVERALL -	APR BY:	DATE APR:	

CONFIDENTIAL:
ALL DESIGN RIGHTS RESERVED
THE INFORMATION, DATA, DESIGN, AND DRAWINGS EMBODIED IN THIS DOCUMENT AND ALL REPRODUCTIONS THEREOF ARE THE EXCLUSIVE PROPERTY OF DIVERSIFIED WOODCRAFTS, INC.

THESE DOCUMENTS ARE SUPPLIED WITH THE UNDERSTANDING THAT THEY WILL NOT BE DISCLOSED TO THIRD PARTIES WITHOUT WRITTEN CONSENT OF DIVERSIFIED WOODCRAFTS, INC. ANY REPRODUCTION IN PART OR WHOLE WITHOUT WRITTEN CONSENT IS SUBJECT TO LEGAL ACTION.

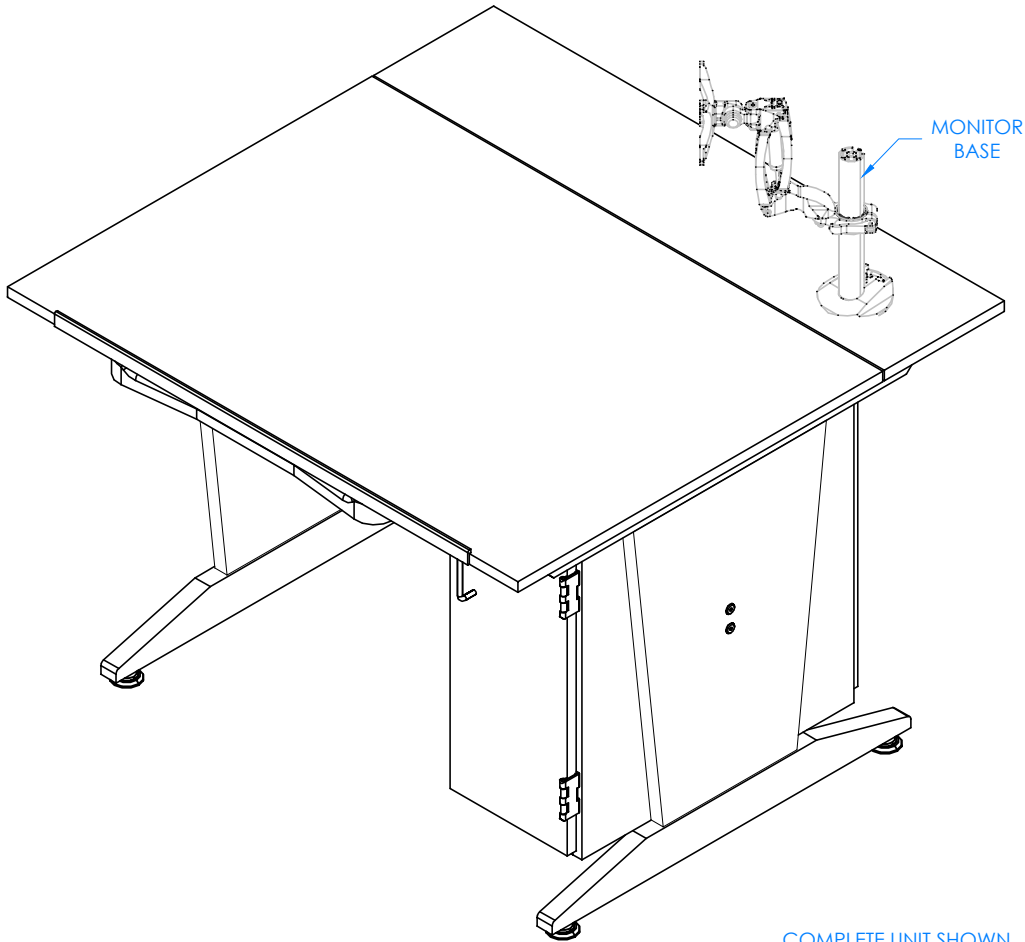


300 South Krueger Street
Suring, WI 54174
diversifiedwoodcrafts.com

TITLE:
ADJUSTABLE DRAFTING/DRAWING TABLE
ASSEMBLY INSTRUCTIONS

REV.	DESCRIPTION	DATE	NAME	ECN NO.
A	CREATED ASSEMBLY INSTRUCTIONS	1/19/15	EMK	-
REVISION LEVEL				

DRAWING NUMBER:	SCALE:	SHEET:	REVISION:
CDTC-1 & CDTC-1VT SERIES	NTS	5 OF 7	REV A



STEP 4:

- IF YOUR TABLE HAS A MONITOR POST, ATTACH TO TOP WITH HARDWARE PROVIDED.

COMPLETE UNIT SHOWN

NOTE:

1.

ALL DIMENSIONS ARE IN INCHES UNLESS NOTED OTHERWISE			
CABINET SQUARENESS = ± .0625	DWN BY: EMK	DATE DWN: 1/19/15	
FRACTIONAL VALUES = ± 1/32"	APR BY:	DATE APR:	
- ALL VALUES ± OVERALL -	APR BY:	DATE APR:	

CONFIDENTIAL:
ALL DESIGN RIGHTS RESERVED
THE INFORMATION, DATA, DESIGN, AND DRAWINGS EMBODIED IN THIS DOCUMENT AND ALL REPRODUCTIONS THEREOF ARE THE EXCLUSIVE PROPERTY OF DIVERSIFIED WOODCRAFTS, INC.

THESE DOCUMENTS ARE SUPPLIED WITH THE UNDERSTANDING THAT THEY WILL NOT BE DISCLOSED TO THIRD PARTIES WITHOUT WRITTEN CONSENT OF DIVERSIFIED WOODCRAFTS, INC. ANY REPRODUCTION IN PART OR WHOLE WITHOUT WRITTEN CONSENT IS SUBJECT TO LEGAL ACTION.



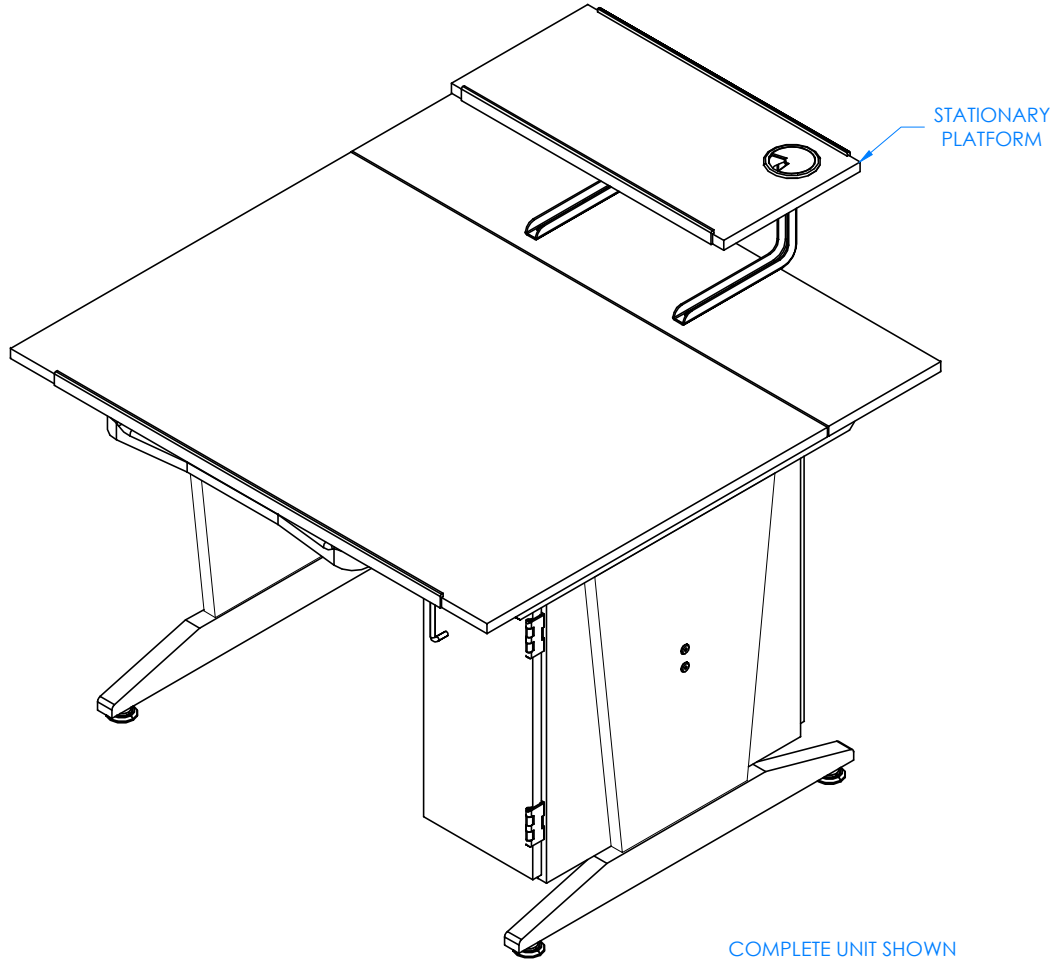
300 South Krueger Street
Suring, WI 54174
diversifiedwoodcrafts.com

TITLE:
ADJUSTABLE DRAFTING/DRAWING TABLE
ASSEMBLY INSTRUCTIONS

REV.	DESCRIPTION	DATE	NAME	ECN NO.
A	CREATED ASSEMBLY INSTRUCTIONS	1/19/15	EMK	-

REVISION LEVEL

DRAWING NUMBER: CDTC-1 & CDTC-1VT SERIES	SCALE: NTS	SHEET: 6 OF 7	REVISION: REV A
---	---------------	------------------	--------------------



STEP 5:

- IF YOUR TABLE HAS A STATIONARY PLATFORM, ATTACH TO TOP WITH HARDWARE PROVIDED.

COMPLETE UNIT SHOWN

NOTE:

1.

ALL DIMENSIONS ARE IN INCHES UNLESS NOTED OTHERWISE			
CABINET SQUARENESS	= ± .0625	DWN BY:	EMK
FRAGMENTAL VALUES	= ± 1/32"	DATE DWN:	1/19/15
- ALL VALUES ± OVERALL -			
APR BY:		DATE APR:	
APR BY:		DATE APR:	

CONFIDENTIAL:
 ALL DESIGN RIGHTS RESERVED
 THE INFORMATION, DATA, DESIGN, AND DRAWINGS EMBODIED IN THIS DOCUMENT AND ALL REPRODUCTIONS THEREOF ARE THE EXCLUSIVE PROPERTY OF DIVERSIFIED WOODCRAFTS, INC.

THESE DOCUMENTS ARE SUPPLIED WITH THE UNDERSTANDING THAT THEY WILL NOT BE DISCLOSED TO THIRD PARTIES WITHOUT WRITTEN CONSENT OF DIVERSIFIED WOODCRAFTS, INC. ANY REPRODUCTION IN PART OR WHOLE WITHOUT WRITTEN CONSENT IS SUBJECT TO LEGAL ACTION.



300 South Krueger Street
 Suring, WI 54174
 diversifiedwoodcrafts.com

TITLE:
 ADJUSTABLE DRAFTING/DRAWING TABLE
 ASSEMBLY INSTRUCTIONS

REV.	DESCRIPTION	DATE	NAME	ECN NO.
A	CREATED ASSEMBLY INSTRUCTIONS	1/19/15	EMK	-
REVISION LEVEL				

DRAWING NUMBER:	SCALE:	SHEET:	REVISION:
CDTC-1 & CDTC-1VT SERIES	NTS	7 OF 7	REV A