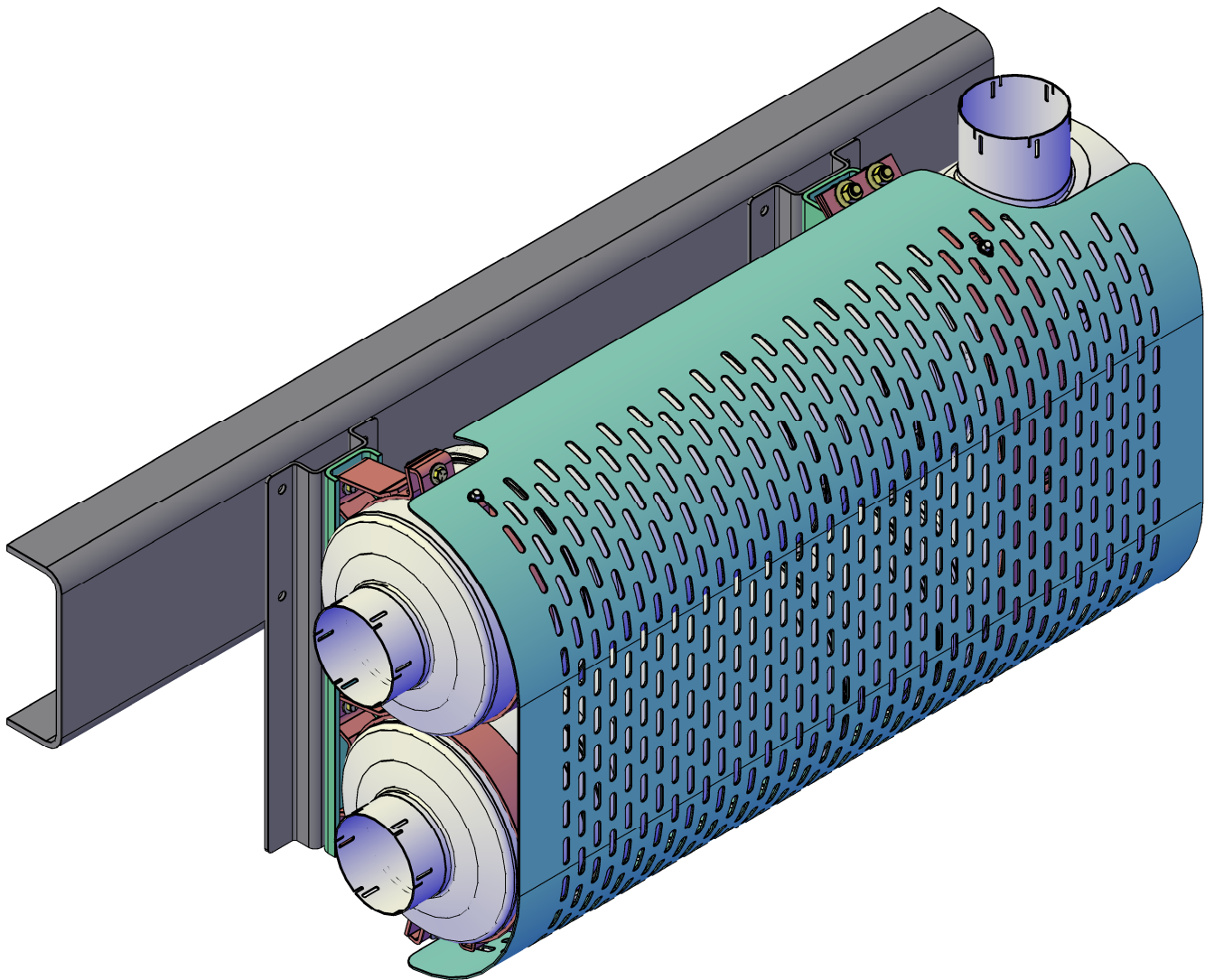


DIESEL EMISSIONS SERVICE

RETROFIT AND REPOWER SPECIALISTS

Portland | Redding | Oakland | Ontario



DES M9022/M9023/M9024/M9025 DONALDSON 9.5" - 10.5"

ALL INSTALLATION INSTRUCTIONS AND GUIDELINES MUST BE THOROUGHLY READ AND UNDERSTOOD BEFORE INSTALLING A DIESEL EMISSIONS SERVICE PRODUCT



PRODUCT GUIDELINES

Diesel Emissions Service recommends its products be installed by a trained technician with proper tools and safety equipment. In addition all Diesel Emissions Service mounting brackets should be installed using good judgment and sound mechanical principles. Since all installations are unique, it is the sole responsibility of the installer to determine the best fit and function of the DPF mounting brackets.

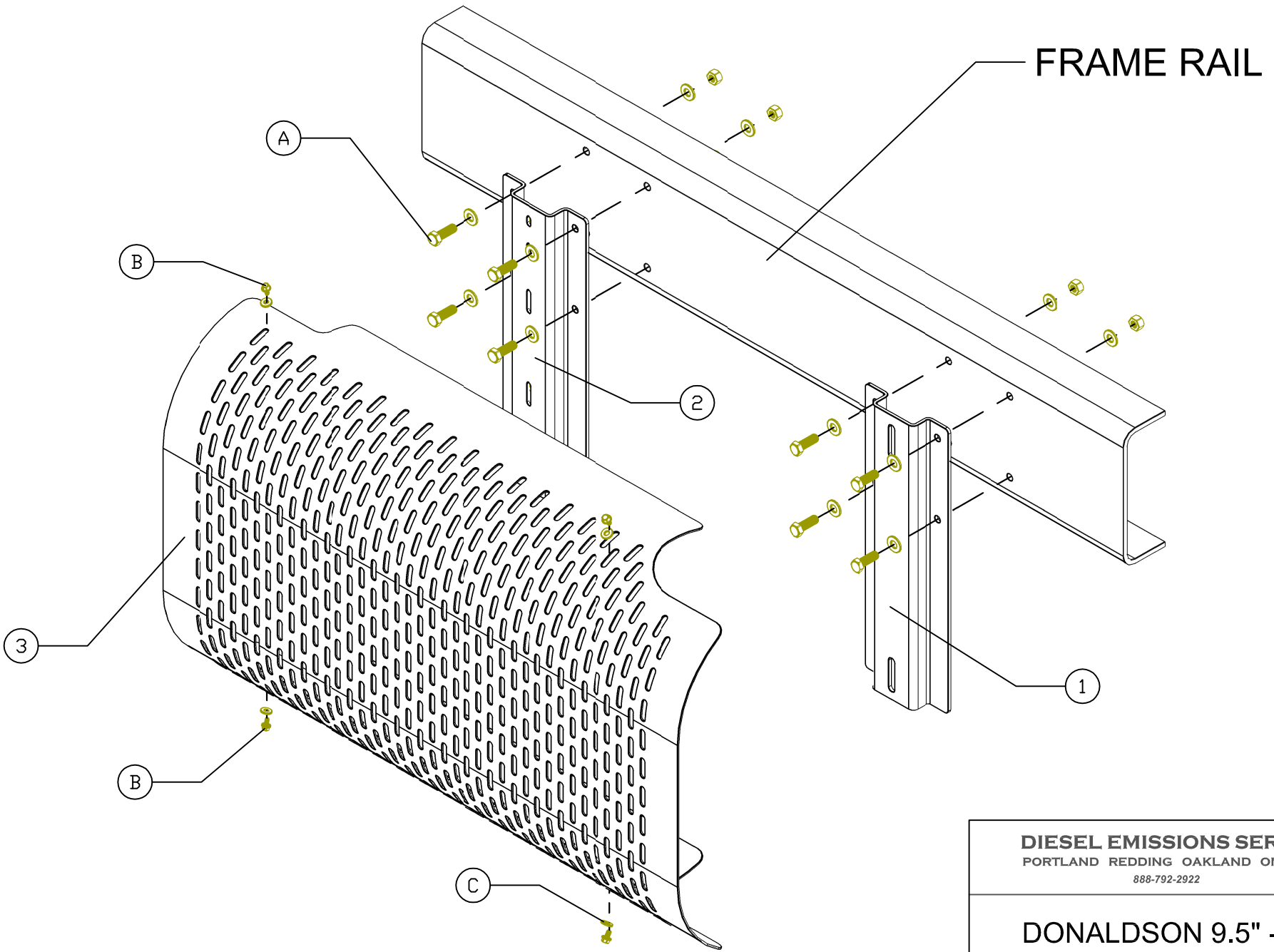
PRODUCT SAFETY

Diesel Emissions Service products are designed for “ON-ROAD” applications only. Modifications to any Diesel Emissions Service product are not recommended and can compromise the bracket performance. Diesel Emissions Service claims no liability or responsibility for the improper application or installation of its products.

PRODUCT WARRANTY

Diesel Emissions Service warrants to the original purchaser of its products that such products will be free from defects in material and workmanship under normal use. Diesel Emissions Service’s obligation under this warranty is solely and exclusively limited to repair and or replacement, at Diesel Emissions Service option, of the product (or components thereof) which Diesel Emissions Service’s examination proves to its satisfaction to be defective. Diesel Emissions Service SHALL HAVE NO OBLIGATION FOR CONSEQUENTIAL DAMAGES TO PERSONAL OR REAL PROPERTY, OR FOR INJURY TO ANY PERSON.

This warranty does not apply to products which have been subject to improper use, accident, negligence, abuse or misuse.



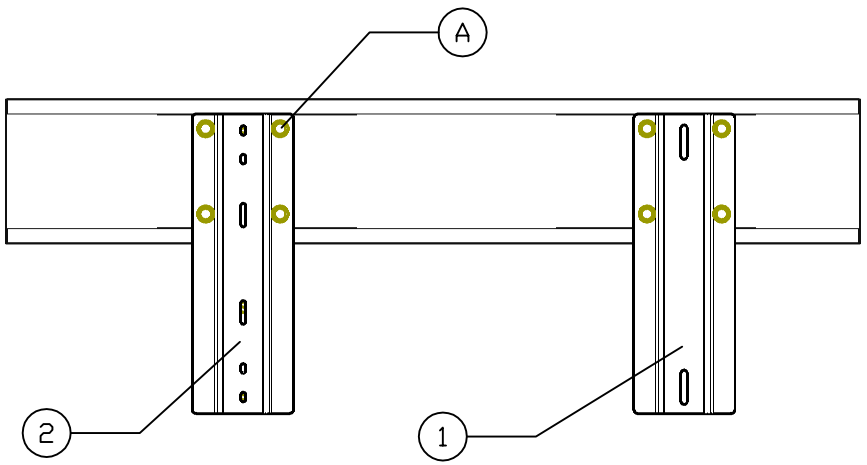
DIESEL EMISSIONS SERVICE
 PORTLAND REDDING OAKLAND ONTARIO
 888-792-2922

DONALDSON 9.5" - 10.5"

ITEM	QTY	COMPONENT DESCRIPTION	ITEM	QTY	HARDWARE DESCRIPTION
1	1	HORIZONTAL INLET MOUNTING BRACKET	A	8	1/2 -13 X 1-1/2 BOLT,NUT,WASHER,ASSY
2	1	HORIZONTAL OUTLET MOUNTING BRACKET	B	4	5/16 -18 X 3/4 FLANGE BOLT
3	1	9.5" - 10.5" GUARD	C	4	5/16 NYLON WASHER

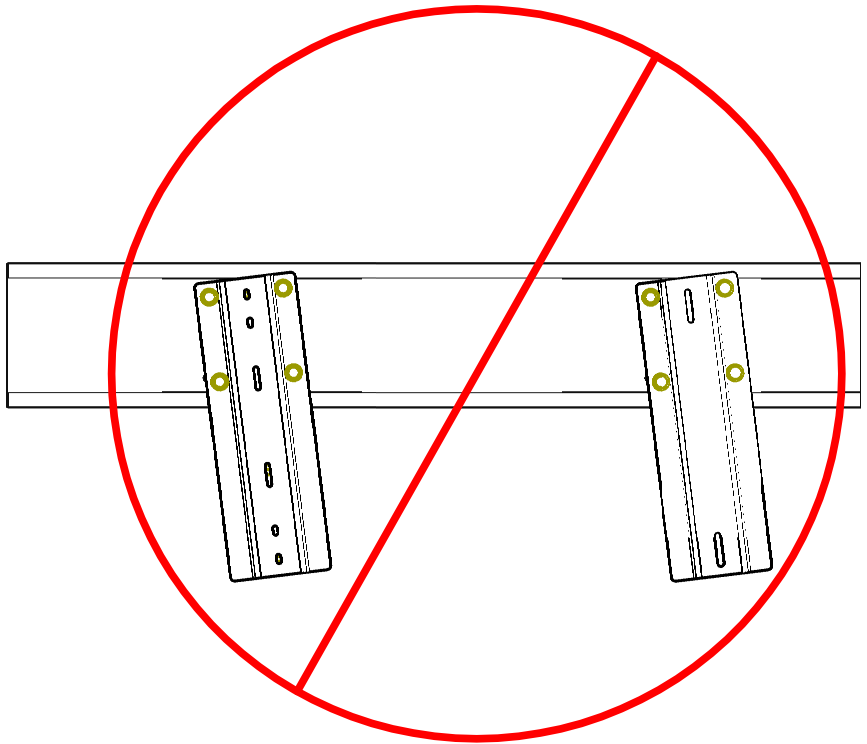
Size	Drawing No.	DES
A	M9022/M9023	
	M9024/M9025	
Scale	NOT TO SCALE	Sheet
		1 OF 4


CORRECT



HORIZONTAL MOUNTING BRACKETS (1,2)
MUST BE PARALLEL WITH FRAME RAIL

INCORRECT



 FAILURE TO INSTALL HORIZONTAL MOUNTING BRACKETS (1,2) PARALLEL TO FRAME RAIL CAN RESULT IN BRACKET FAILURE AND OR DAMAGE TO FILTER

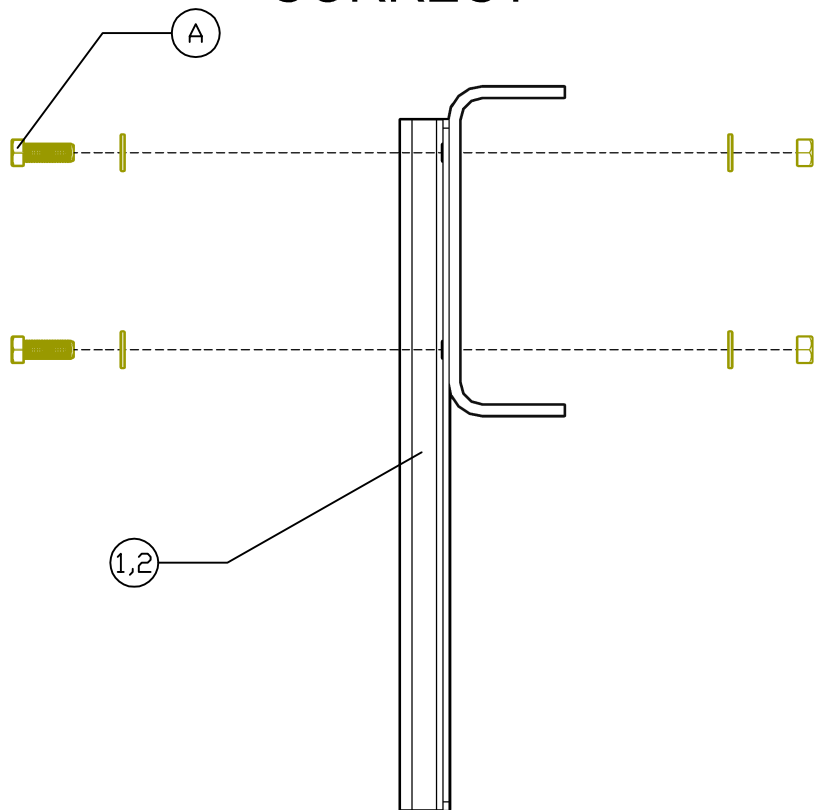
DIESEL EMISSIONS SERVICE
PORTLAND REDDING OAKLAND ONTARIO
888-792-2922

DONALDSON 9.5" - 10.5"

ITEM	QTY	COMPONENT DESCRIPTION	ITEM	QTY	HARDWARE DESCRIPTION
1	1	HORIZONTAL INLET MOUNTING BRACKET	A	8	1/2 -13 X1-1/2 BOLT,NUT,WASHER,ASSY
2	1	HORIZONTAL OUTLET MOUNTING BRACKET			

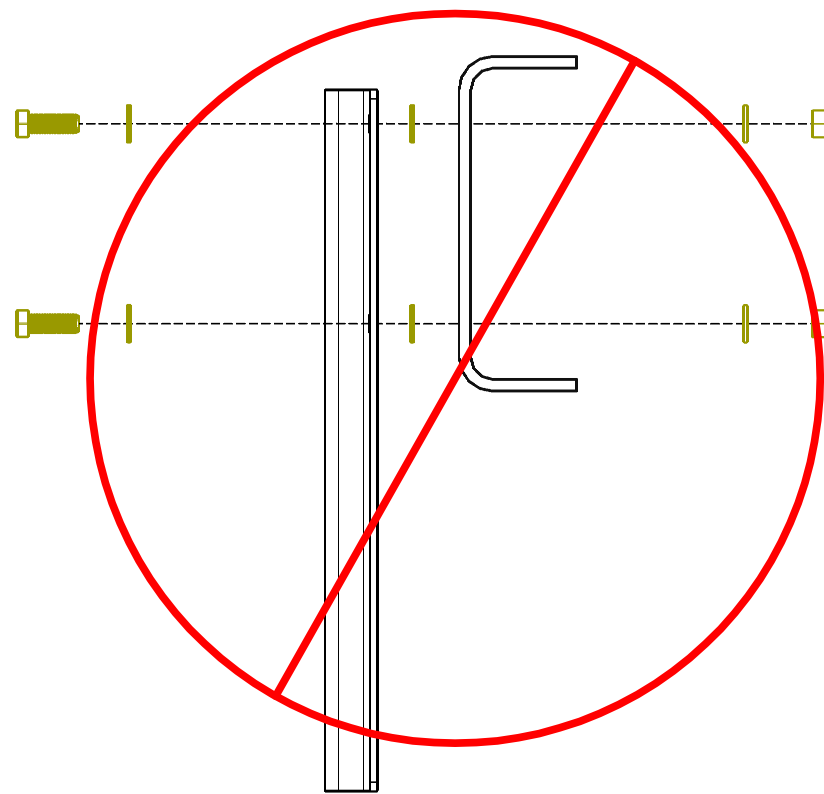
Size	Drawing No.
A	DES M9022/M9023 M9024/M9025
Scale	Sheet
NOT TO SCALE	2 of 4


CORRECT



HORIZONTAL MOUNTING BRACKETS (1,2) MUST SEAT FLUSH WITH FRAME RAIL

INCORRECT



 NEVER SPACE HORIZONTAL MOUNTING BRACKET (1,2) AWAY FROM FRAME RAIL

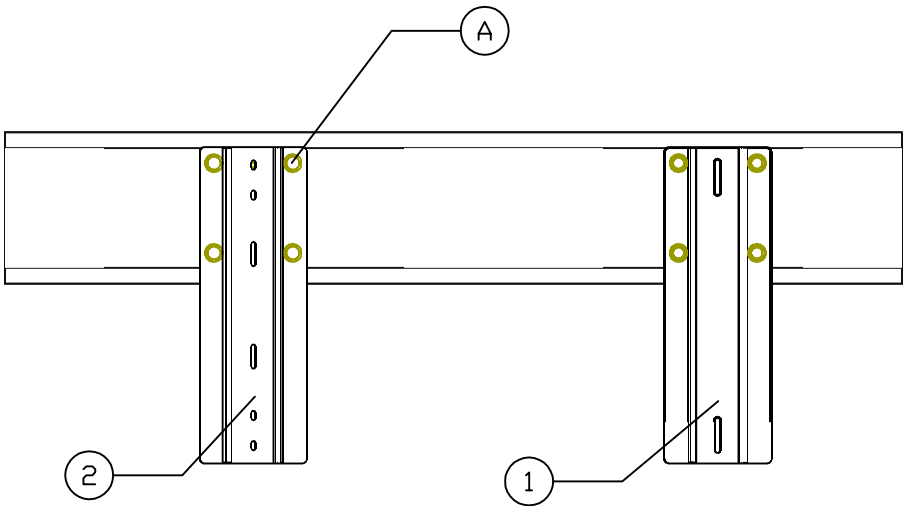
DIESEL EMISSIONS SERVICE
 PORTLAND REDDING OAKLAND ONTARIO
 888-792-2922

DONALDSON 9.5" - 10.5"

Size	Drawing No.
A	DES M9022/M9023 M9024/M9025
Scale NOT TO SCALE	Sheet 3 of 4

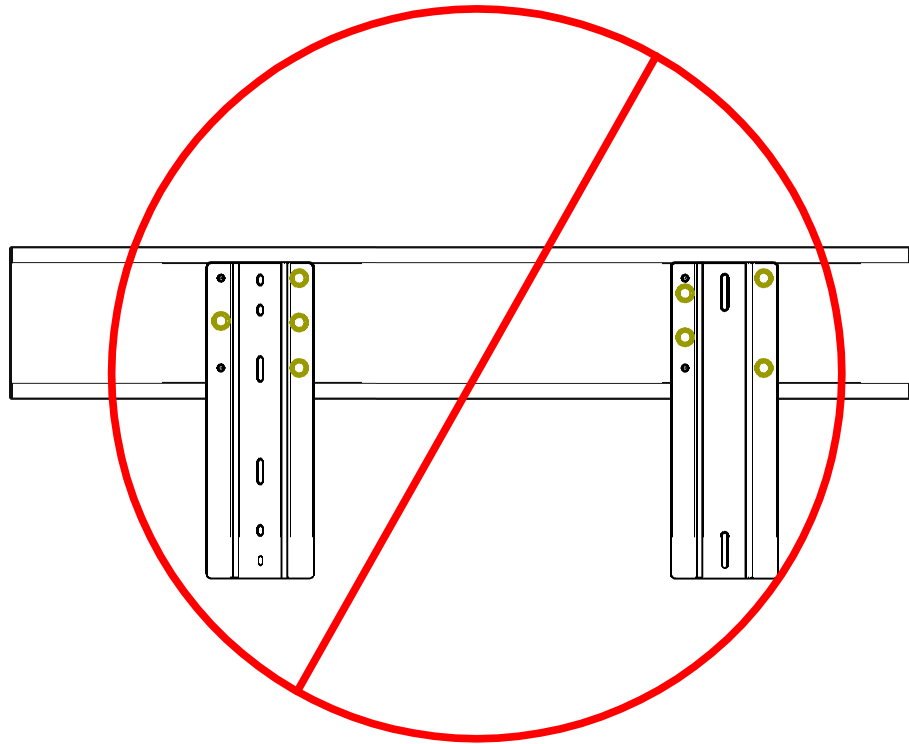
ITEM	QTY	COMPONENT DESCRIPTION	ITEM	QTY	HARDWARE DESCRIPTION
1	1	HORIZONTAL INLET MOUNTING BRACKET	A	8	1/2 -13 X1-1/2 BOLT,NUT,WASHER,ASSY
2	1	HORIZONTAL OUTLET MOUNTING BRACKET			


CORRECT



USE ALL PROVIDED GRADE 8 FASTENERS
AND MANUFACTURED HOLES

INCORRECT



 DO NOT ALTER BRACKET OR
FASTENER HOLE LOCATIONS

DIESEL EMISSIONS SERVICE
 PORTLAND REDDING OAKLAND ONTARIO
 888-792-2922

DONALDSON 9.5" - 10.5"

Size	Drawing No.
A	DES M9022/M9023 M9024/M9025
Scale	Sheet
NOT TO SCALE	4 of 4

ITEM	QTY	COMPONENT DESCRIPTION	ITEM	QTY	HARDWARE DESCRIPTION
1	1	HORIZONTAL INLET MOUNTING BRACKET	A	8	1/2 -13 X1-1/2 BOLT,NUT,WASHER,ASSY
2	1	HORIZONTAL OUTLET MOUNTING BRACKET			