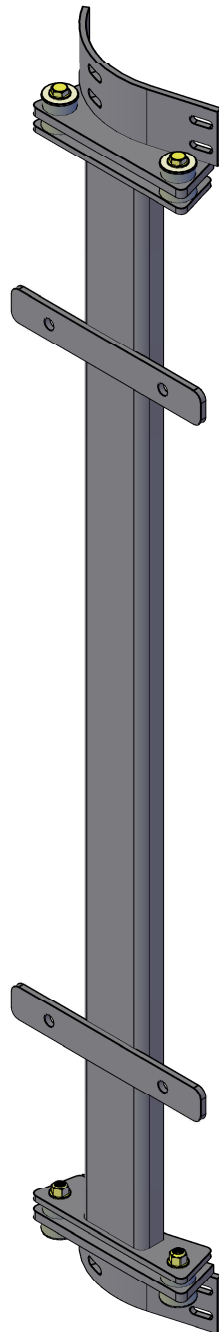


# DIESEL EMISSIONS SERVICE

RETROFIT AND REPOWER SPECIALISTS

Portland | Redding | Oakland | Ontario



## DES VM6500 PETERBILT 379 CAB MOUNT

ALL INSTALLATION INSTRUCTIONS AND GUIDELINES MUST BE THOROUGHLY READ AND UNDERSTOOD BEFORE INSTALLING A DIESEL EMISSIONS SERVICE PRODUCT



## **PRODUCT GUIDELINES**

**Diesel Emissions Service recommends its products be installed by a trained technician with proper tools and safety equipment. In addition all Diesel Emissions Service mounting brackets should be installed using good judgment and sound mechanical principles. Since all installations are unique, it is the sole responsibility of the installer to determine the best fit and function of the DPF mounting brackets.**

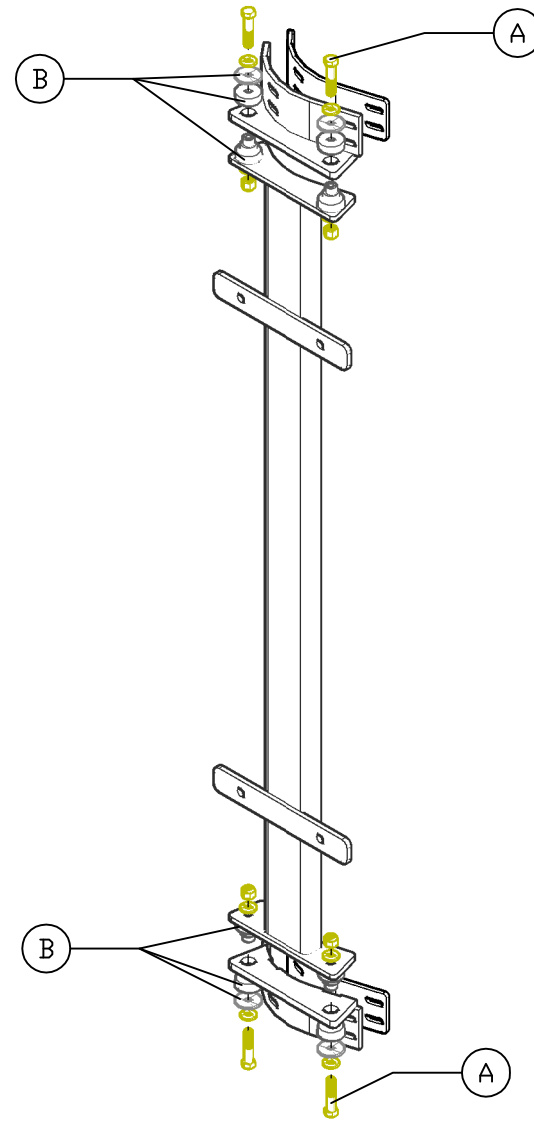
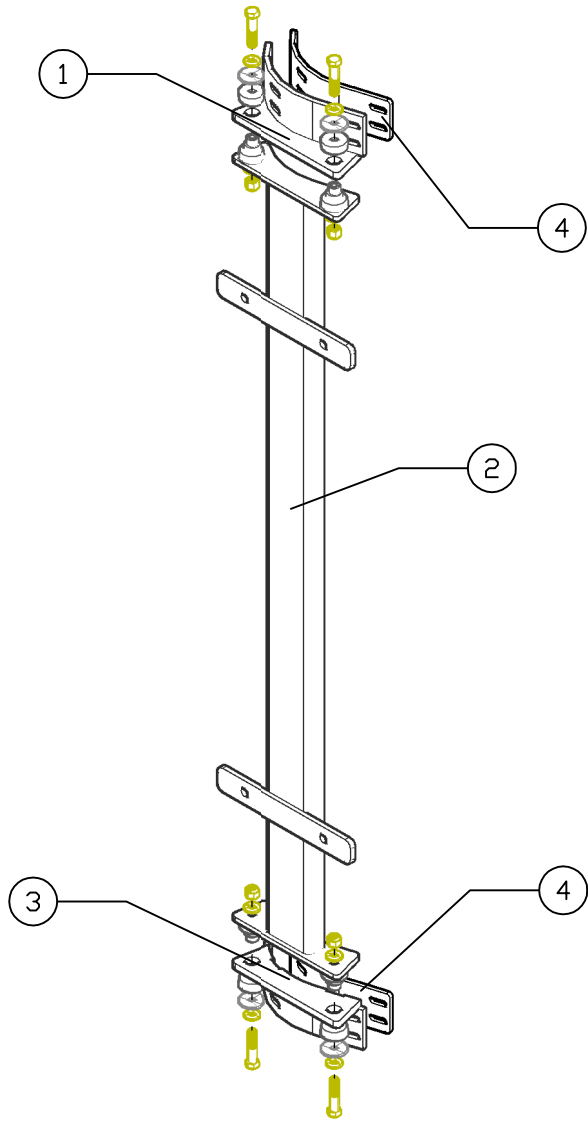
## **PRODUCT SAFETY**

**Diesel Emissions Service products are designed for “ON-ROAD” applications only. Modifications to any Diesel Emissions Service product are not recommended and can compromise the bracket performance. Diesel Emissions Service claims no liability or responsibility for the improper application or installation of its products.**

## **PRODUCT WARRANTY**

**Diesel Emissions Service warrants to the original purchaser of its products that such products will be free from defects in material and workmanship under normal use. Diesel Emissions Service’s obligation under this warranty is solely and exclusively limited to repair and or replacement, at Diesel Emissions Service option, of the product (or components thereof) which Diesel Emissions Service’s examination proves to its satisfaction to be defective. Diesel Emissions Service SHALL HAVE NO OBLIGATION FOR CONSEQUENTIAL DAMAGES TO PERSONAL OR REAL PROPERTY, OR FOR INJURY TO ANY PERSON.**

**This warranty does not apply to products which have been subject to improper use, accident, negligence, abuse or misuse.**



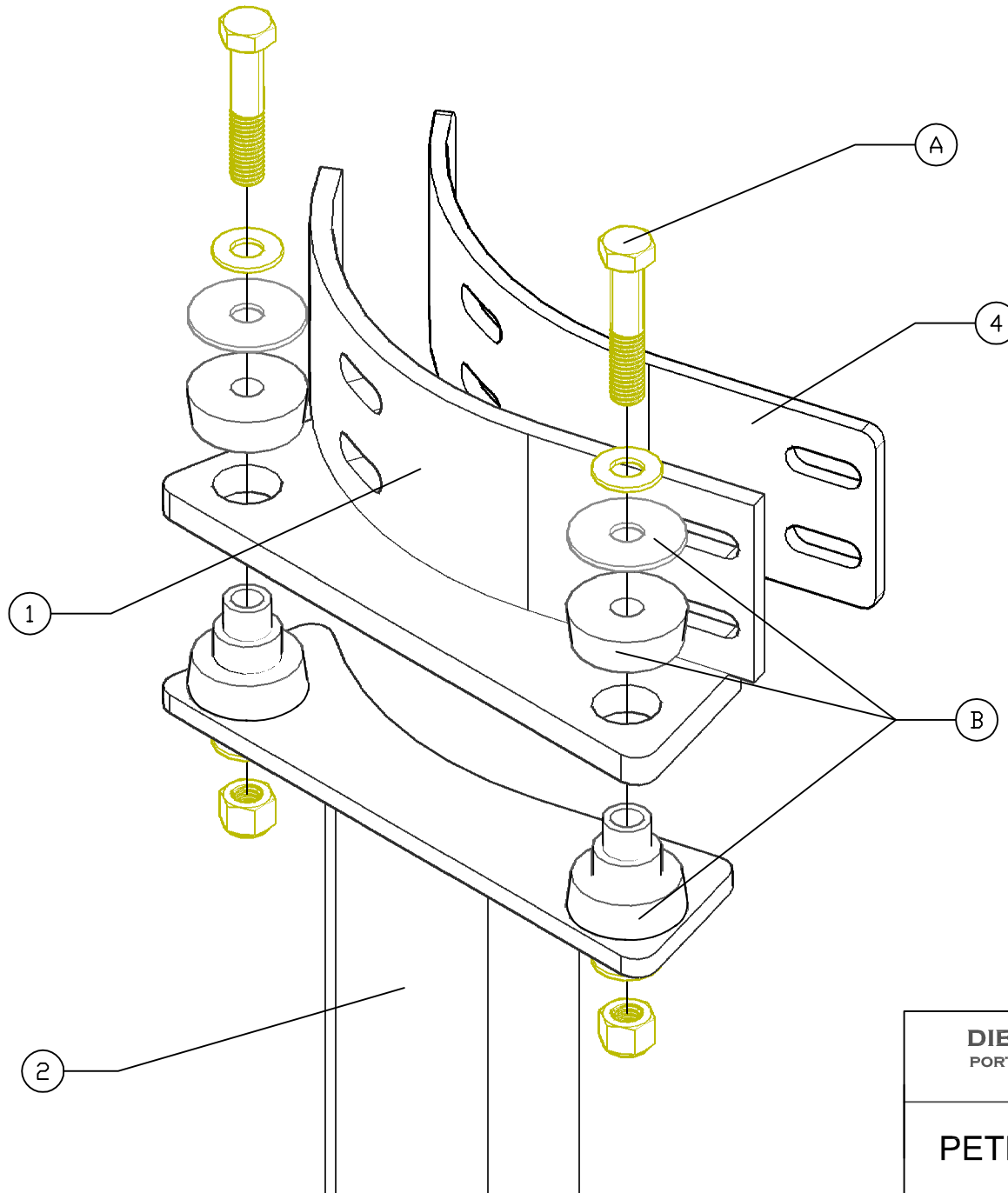
ITEM	QTY	COMPONENT DESCRIPTION
1	1	UPPER CAB MOUNT
2	1	FILTER MOUNT CHANNEL
3	1	LOWER CAB MOUNT
4	2	1/8" THICK RUBBER PAD

ITEM	QTY	HARDWARE DESCRIPTION
A	4	3/8- 16 X 2-1/2 BOLT,NUT,WASHER,ASSY
B	4	POLY ISOLATOR ASSEMBLY

**DIESEL EMISSIONS SERVICE**  
 PORTLAND REDDING OAKLAND ONTARIO  
 888-792-2922

**PETERBILT 379 CAB MOUNT**

Size <b>A</b>	Drawing No. <b>DES VM6500</b>	Rev
Scale <b>NOT TO SCALE</b>	CAD File	Sheet 1 of 4



**DIESEL EMISSIONS SERVICE**  
 PORTLAND REDDING OAKLAND ONTARIO  
 888-792-2922

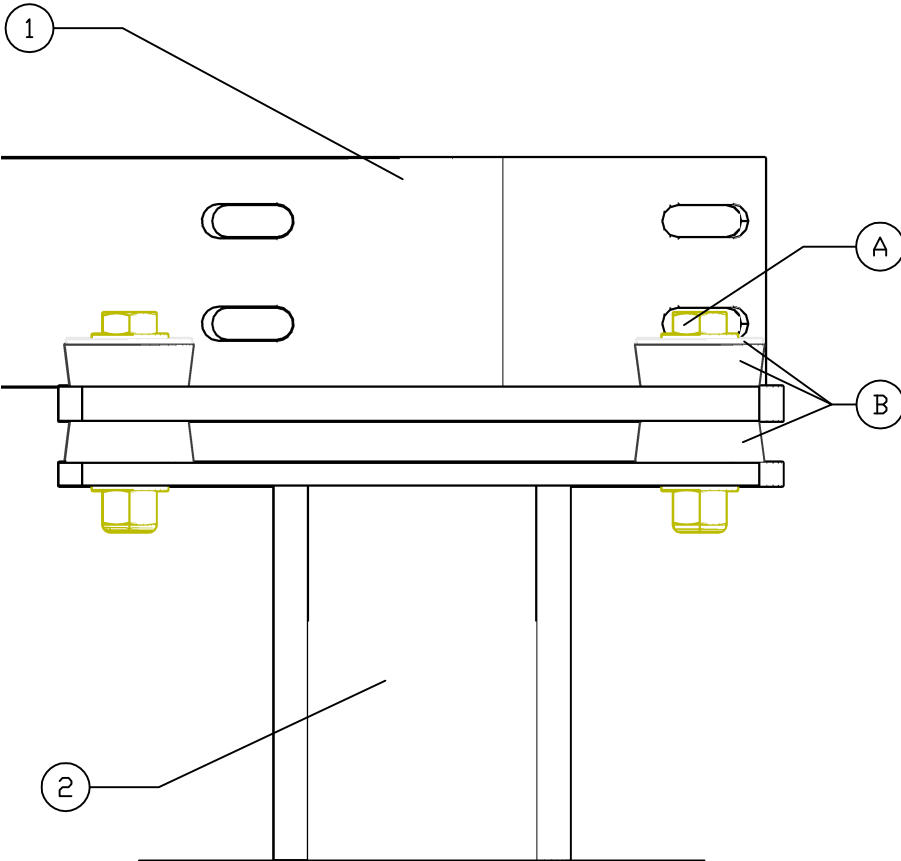
**PETERBILT 379 CAB MOUNT**

ITEM	QTY	COMPONENT DESCRIPTION
1	1	UPPER CAB MOUNT
2	1	FILTER MOUNT CHANNEL
4	2	1/8" THICK RUBBER PAD

ITEM	QTY	HARDWARE DESCRIPTION
A	4	3/8- 16 X 2-1/2 BOLT,NUT,WASHER,ASSY
B	4	POLY ISOLATOR ASSEMBLY

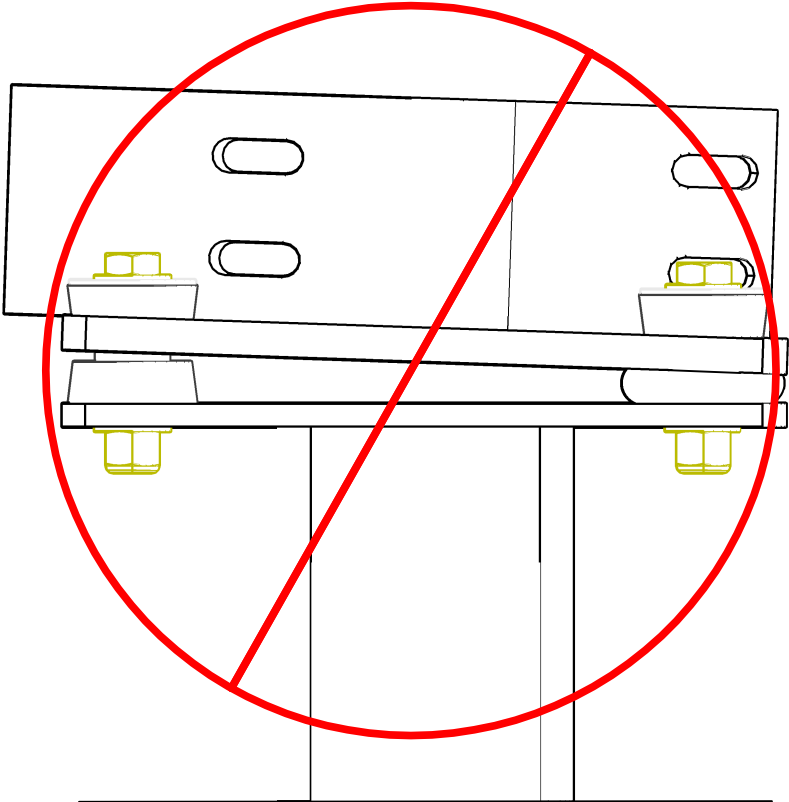
Size	Drawing No.	Rev
<b>A</b>	<b>DES VM6500</b>	
Scale	CAD File	Sheet
<b>NOT TO SCALE</b>		2 of 4


# CORRECT



ISOLATOR ASSEMBLY (B) MUST BE COMPRESSED EQUALLY BETWEEN UPPER CAB MOUNT (1) AND FILTER MOUNT CHANNEL (2)

# INCORRECT



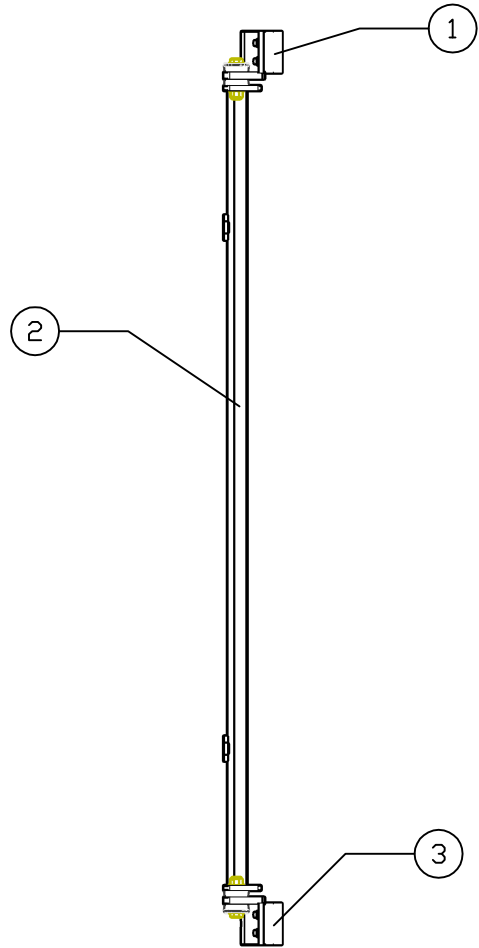
 IMPROPER ISOLATOR COMPRESSION BETWEEN UPPER CAB MOUNT (1) AND FILTER MOUNT CHANNEL (2) CAN RESULT IN BRACKET FAILURE AND OR DAMAGE TO FILTER

**DIESEL EMISSIONS SERVICE**  
 PORTLAND REDDING OAKLAND ONTARIO  
 888-792-2922

Size	Drawing No.
<b>A</b>	<b>DES VM6500</b>
Scale NOT TO SCALE	Sheet 3 of 4

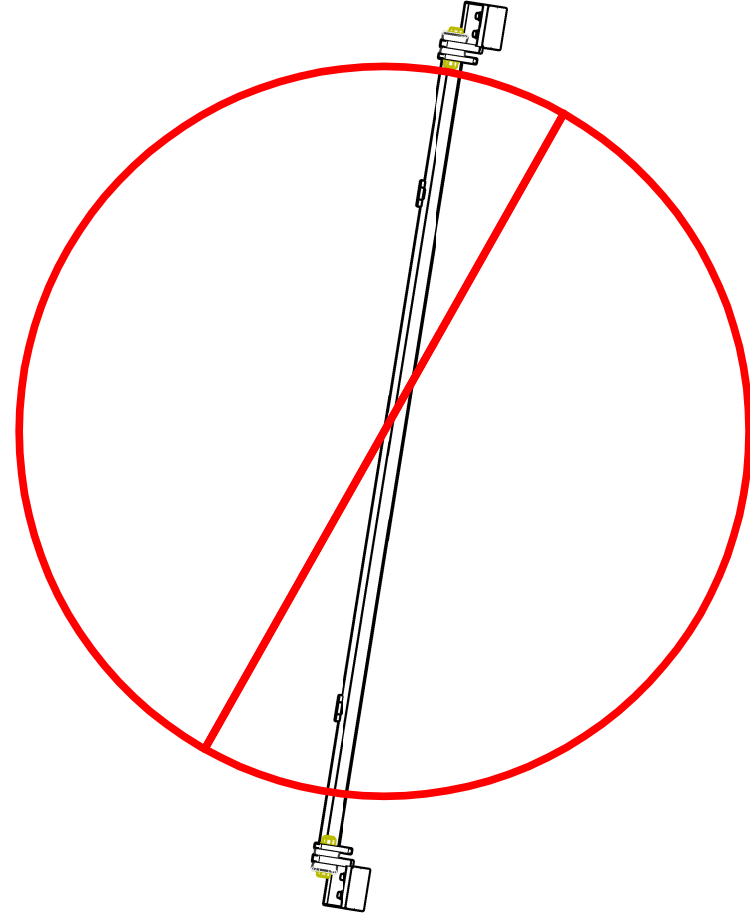
ITEM	QTY	COMPONENT DESCRIPTION	ITEM	QTY	HARDWARE DESCRIPTION
1	1	UPPER CAB MOUNT	A	4	3/8- 16 X 2-1/2 BOLT,NUT,WASHER,ASSY
2	1	FILTER MOUNT CHANNEL	B	4	POLY ISOLATOR ASSEMBLY


# CORRECT



DES VM6500 MUST BE INSTALLED VERTICALLY AND PERPENDICULAR TO FRAME RAIL

# INCORRECT



 FAILURE TO PROPERLY INSTALL DES VM6500 CAN RESULT IN BRACKET FAILURE AND OR DAMAGE TO FILTER

ITEM	QTY	COMPONENT DESCRIPTION
1	1	UPPER CAB MOUNT
2	1	FILTER MOUNT CHANNEL
3	1	LOWER CAB MOUNT

**DIESEL EMISSIONS SERVICE**  
 PORTLAND REDDING OAKLAND ONTARIO  
 888-792-2922

Size	Drawing No.
<b>A</b>	<b>DES VM6500</b>
Scale NOT TO SCALE	Sheet 4 of 4