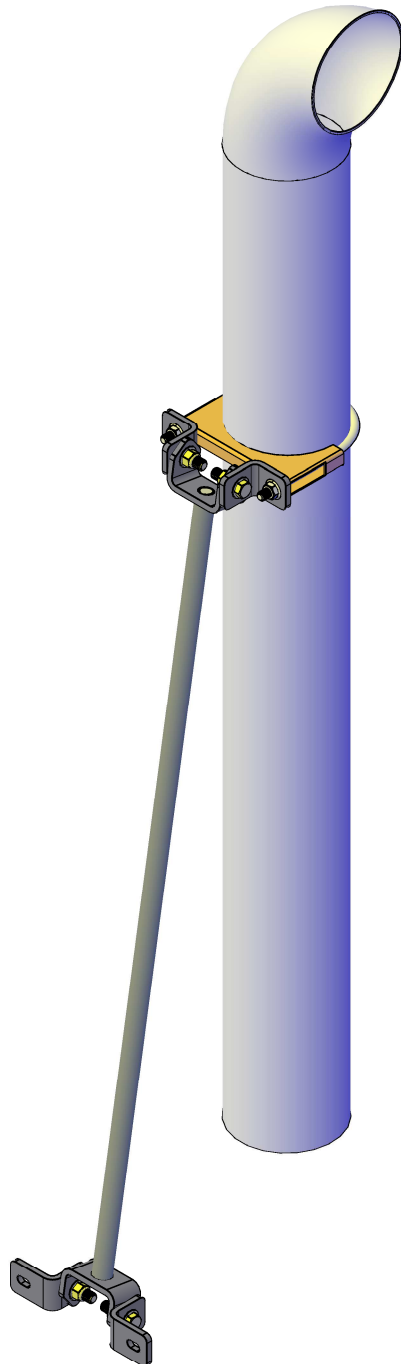


DIESEL EMISSIONS SERVICE

RETROFIT AND REPOWER SPECIALISTS

Portland | Redding | Oakland | Ontario



DES VM6036 36" STACK STABILIZER KIT

ALL INSTALLATION INSTRUCTIONS AND GUIDELINES MUST BE THOROUGHLY READ AND UNDERSTOOD BEFORE INSTALLING A DIESEL EMISSIONS SERVICE PRODUCT



PRODUCT GUIDELINES

Diesel Emissions Service recommends its products be installed by a trained technician with proper tools and safety equipment. In addition all Diesel Emissions Service mounting brackets should be installed using good judgment and sound mechanical principles. Since all installations are unique, it is the sole responsibility of the installer to determine the best fit and function of the DPF mounting brackets.

PRODUCT SAFETY

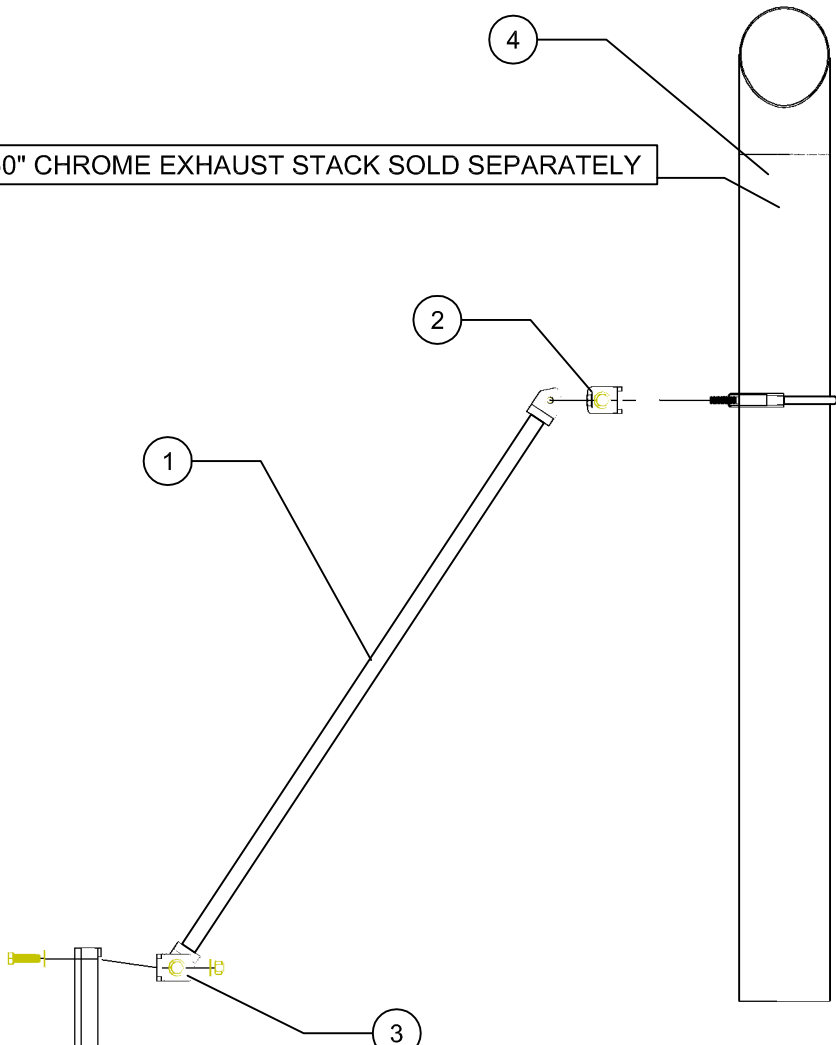
Diesel Emissions Service products are designed for “ON-ROAD” applications only. Modifications to any Diesel Emissions Service product are not recommended and can compromise the bracket performance. Diesel Emissions Service claims no liability or responsibility for the improper application or installation of its products.

PRODUCT WARRANTY

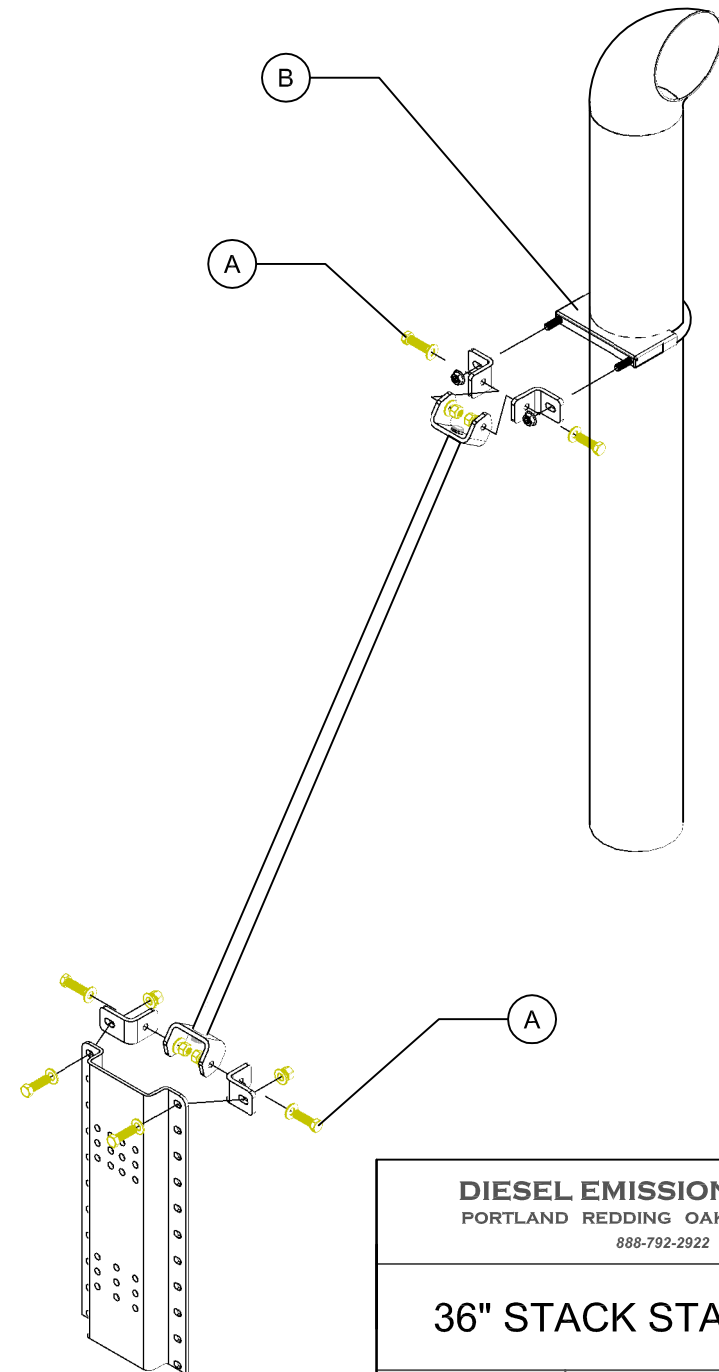
Diesel Emissions Service warrants to the original purchaser of its products that such products will be free from defects in material and workmanship under normal use. Diesel Emissions Service’s obligation under this warranty is solely and exclusively limited to repair and or replacement, at Diesel Emissions Service option, of the product (or components thereof) which Diesel Emissions Service’s examination proves to its satisfaction to be defective. Diesel Emissions Service SHALL HAVE NO OBLIGATION FOR CONSEQUENTIAL DAMAGES TO PERSONAL OR REAL PROPERTY, OR FOR INJURY TO ANY PERSON.

This warranty does not apply to products which have been subject to improper use, accident, negligence, abuse or misuse.

60" CHROME EXHAUST STACK SOLD SEPARATELY



VERTICAL STANCHION SHOWN FOR REFERNECE ONLY



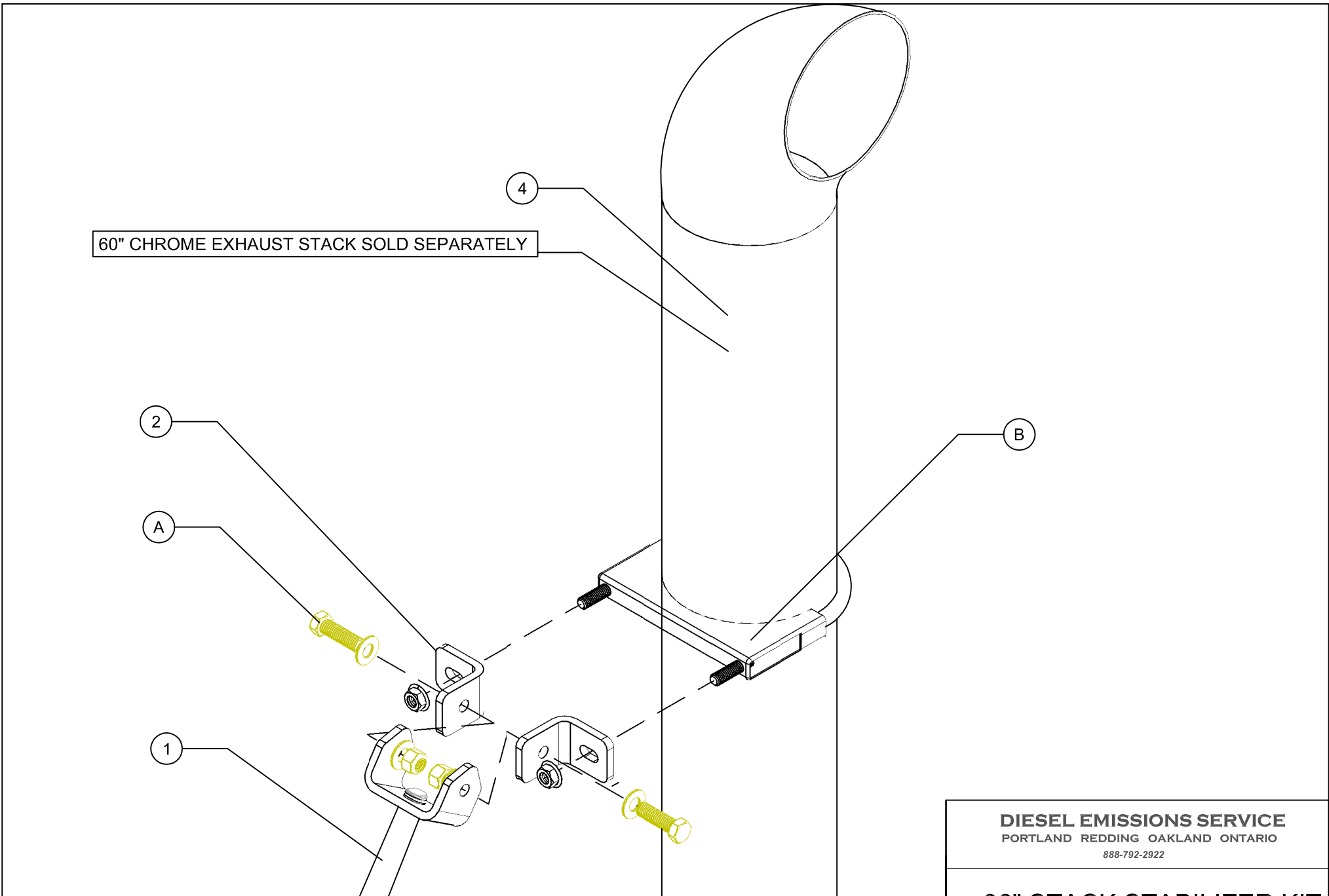
ITEM	QTY	COMPONENT DESCRIPTION
1	1	36" STABILIZER ASSEMBLY
2	2	2" L BRACKET MOUNT
3	2	2-3/8" L BRACKET MOUNT
4	1	60" CHROME EXHAUST STACK (PURCHASED SEPARATELY) PART # DESC560

ITEM	QTY	HARDWARE DESCRIPTION
A	6	3/8 -16 X1-1/2 BOLT,NUT,WASHER,ASSY
B	1	5" GUILLOTINE CLAMP

DIESEL EMISSIONS SERVICE
 PORTLAND REDDING OAKLAND ONTARIO
 888-792-2922

36" STACK STABILIZER KIT

Size	Drawing No.	Rev
A	DES VM6036	
Scale	CAD File	Sheet
NOT TO SCALE		1 of 4



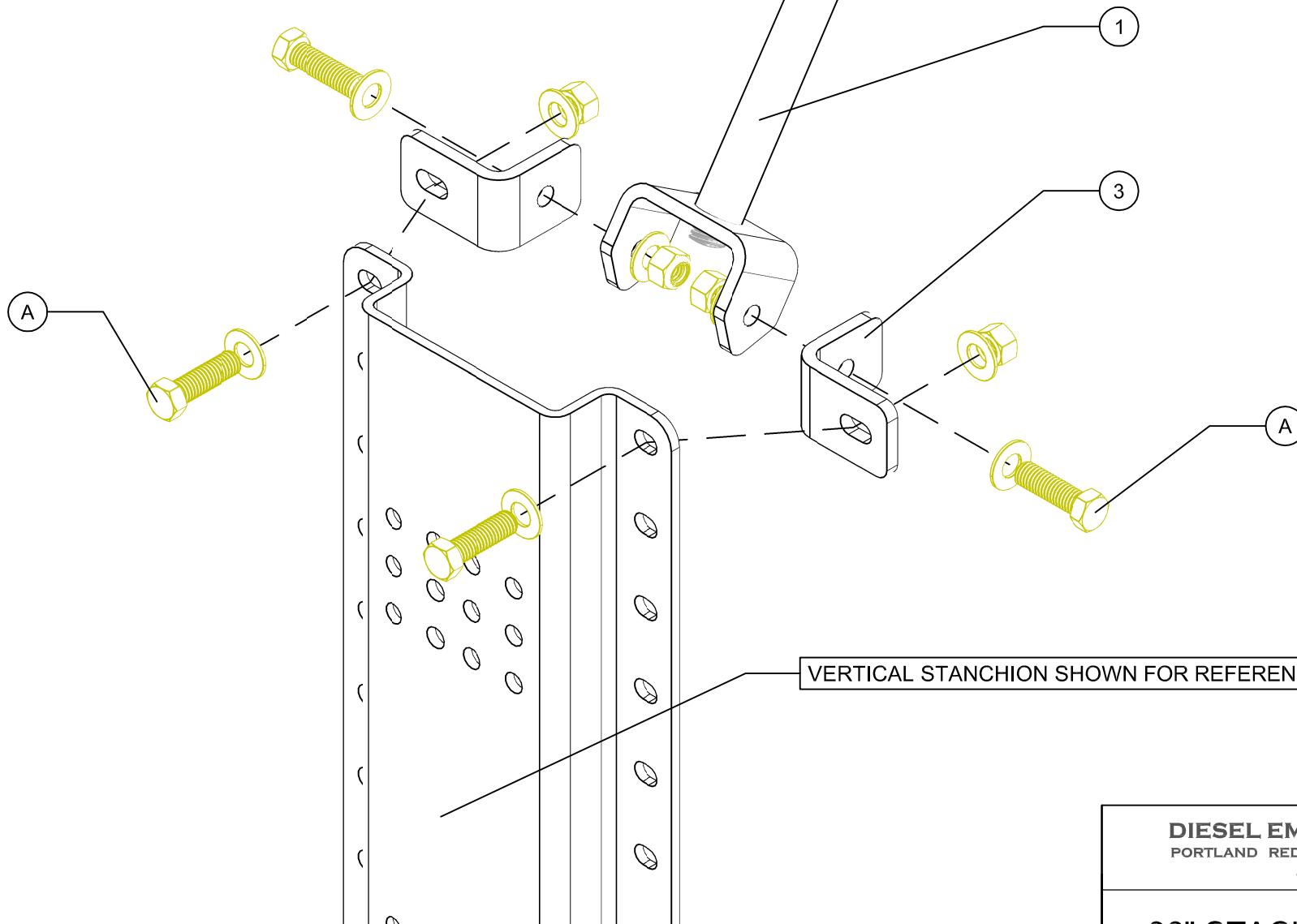
60" CHROME EXHAUST STACK SOLD SEPARATELY

ITEM	QTY	COMPONENT DESCRIPTION
1	1	36" STABILIZER ASSEMBLY
2	2	2" L BRACKET MOUNT
4	1	60" CHROME EXHAUST STACK (PURCHASED SEPARATELY) PART # DESC560

ITEM	QTY	HARDWARE DESCRIPTION
A	6	3/8 -16 X1-1/2 BOLT,NUT,WASHER,ASSY
B	1	5" GUILLOTINE CLAMP

DIESEL EMISSIONS SERVICE
 PORTLAND REDDING OAKLAND ONTARIO
 888-792-2922

36" STACK STABILIZER KIT		
Size	Drawing No.	Rev
A	DES VM6036	
Scale	CAD File	Sheet
NOT TO SCALE		2 of 4



VERTICAL STANCHION SHOWN FOR REFERENCE ONLY

DIESEL EMISSIONS SERVICE
 PORTLAND REDDING OAKLAND ONTARIO
 888-792-2922

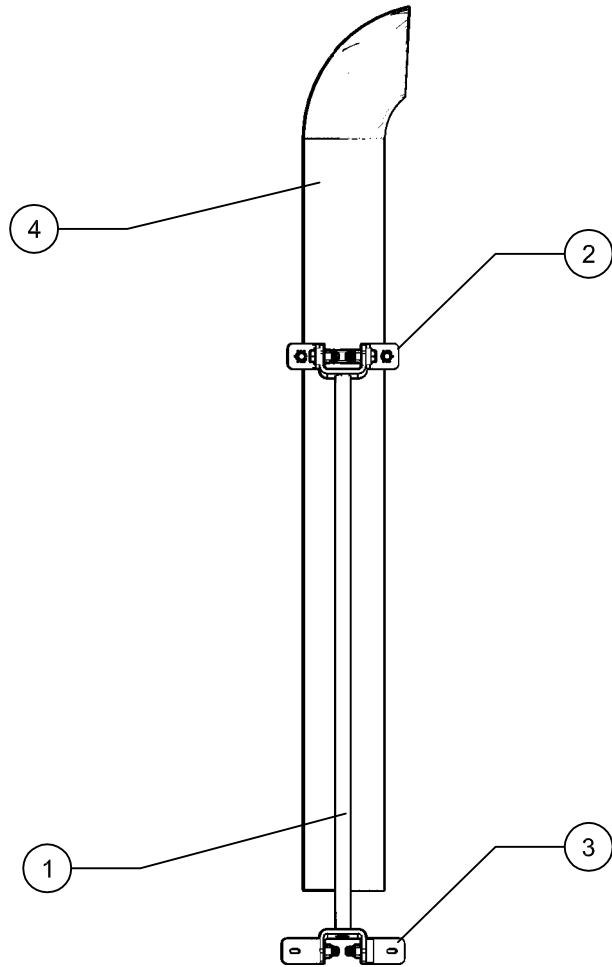
36" STACK STABILIZER KIT

Size	Drawing No.	Rev
A	DES VM6036	
Scale	CAD File	Sheet
NOT TO SCALE		3 of 4

ITEM	QTY	COMPONENT DESCRIPTION
1	1	36" STABILIZER ASSEMBLY
3	2	2-3/8" L BRACKET MOUNT

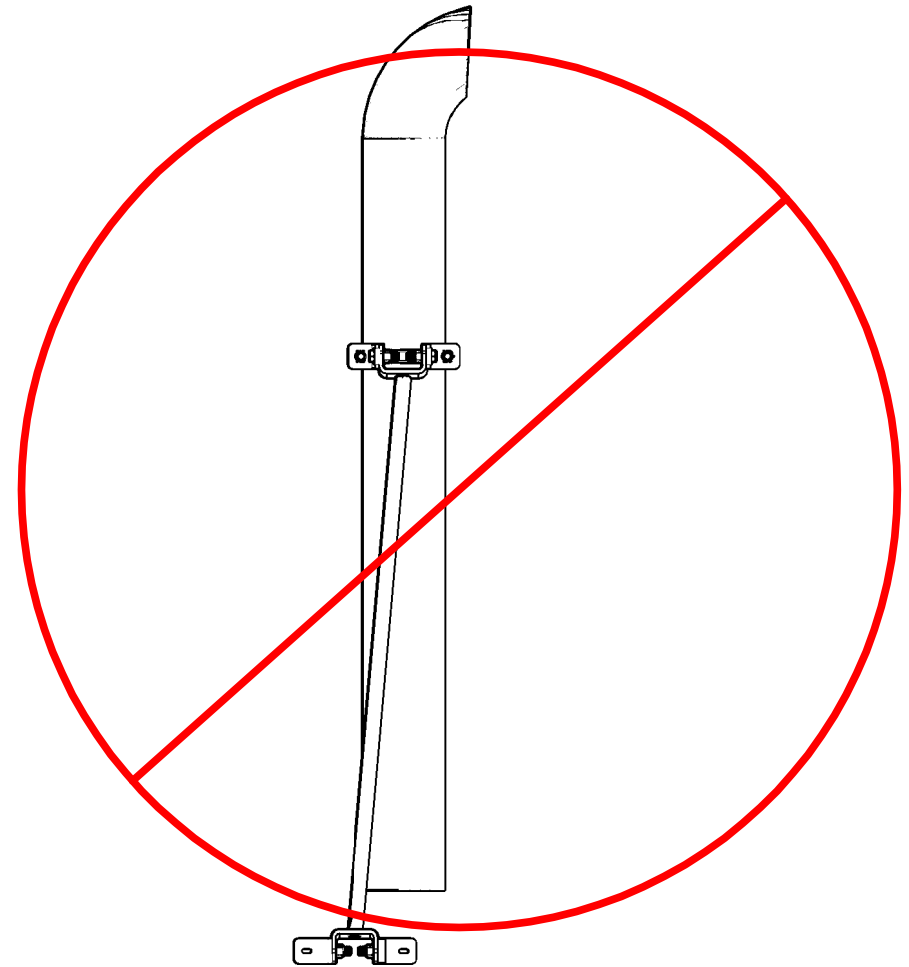
ITEM	QTY	HARDWARE DESCRIPTION
A	6	3/8 -16 X1-1/2 BOLT,NUT,WASHER,ASSY

CORRECT



36" STABILIZER ASSEMBLY (1) MUST BE MOUNTED IN LINE WITH FILTER OUTLET HAT AND 60" CHROME EXHAUST STACK (4)

INCORRECT



FAILURE TO INSTALL 36" STABILIZER ASSEMBLY (1) PARALLEL TO EXHAUST STACK (4) CAN RESULT IN BRACKET FAILURE AND OR DAMAGE TO FILTER!

ITEM	QTY	COMPONENT DESCRIPTION
1	1	36" STABILIZER ASSEMBLY
2	2	2" L BRACKET MOUNT
3	2	2-3/8" L BRACKET MOUNT
4	1	60" CHROME EXHAUST STACK (PURCHASED SEPARATELY) PART # DESC560

DIESEL EMISSIONS SERVICE PORTLAND REDDING OAKLAND ONTARIO 888-792-2922		
Drawing No.		DES VM6036
Scale NOT TO SCALE	Size A	Sheet 4 OF 4