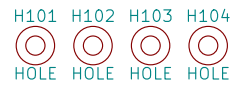
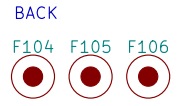
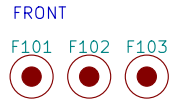


HOLES, LOGOS, AND FIDUCIALS



SILK101
Tessel 2 logo



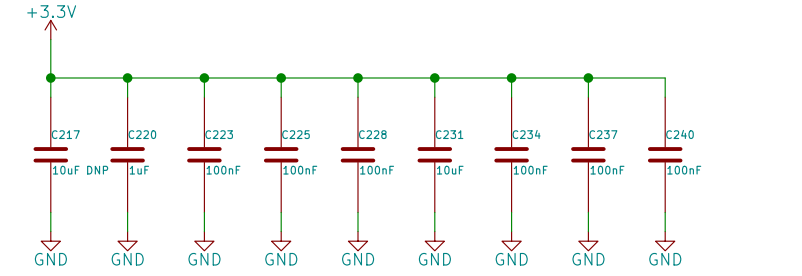
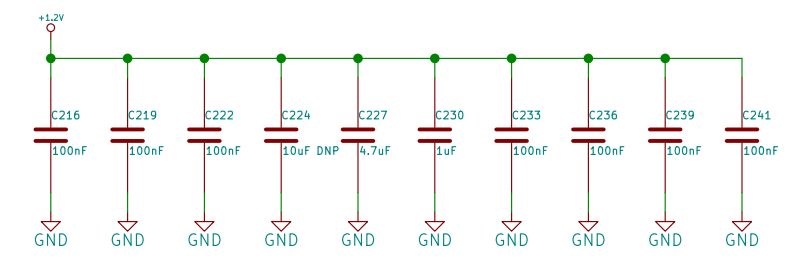
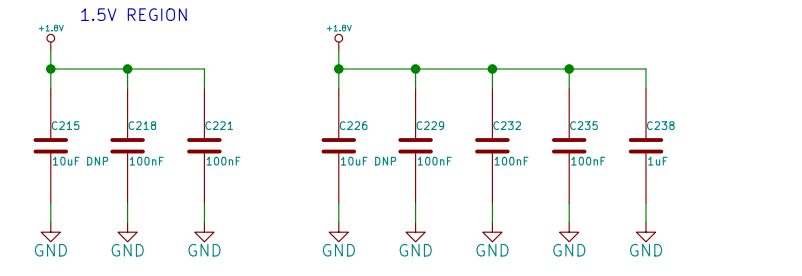
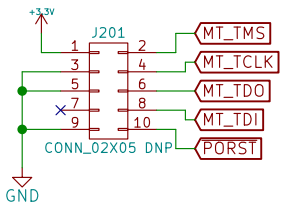
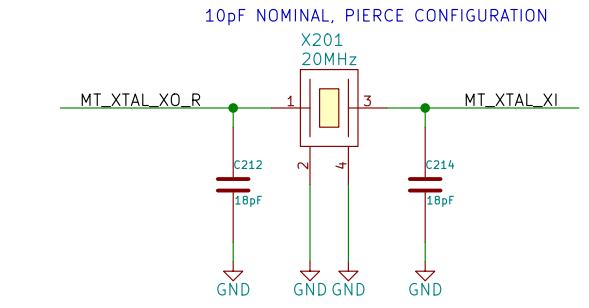
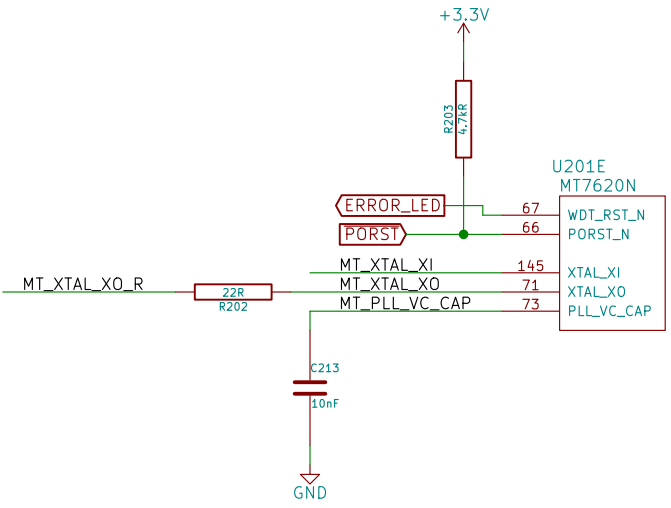
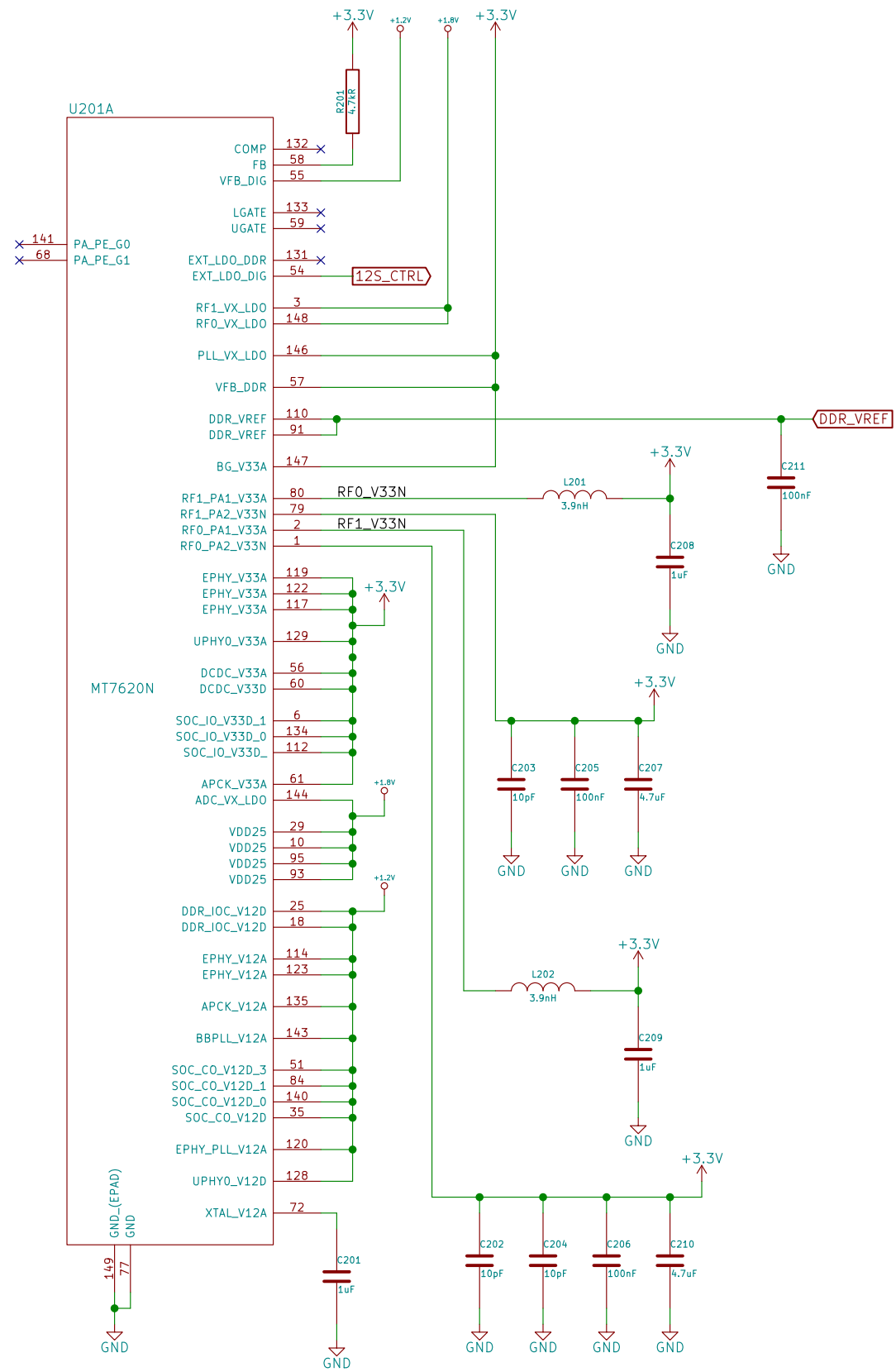
SILK102
OSHW logo

SILK103
Tessel logo

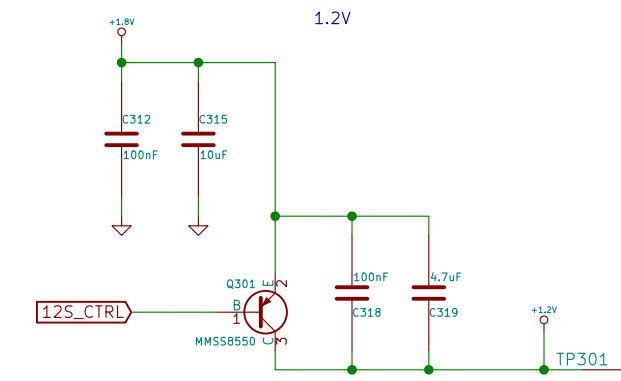
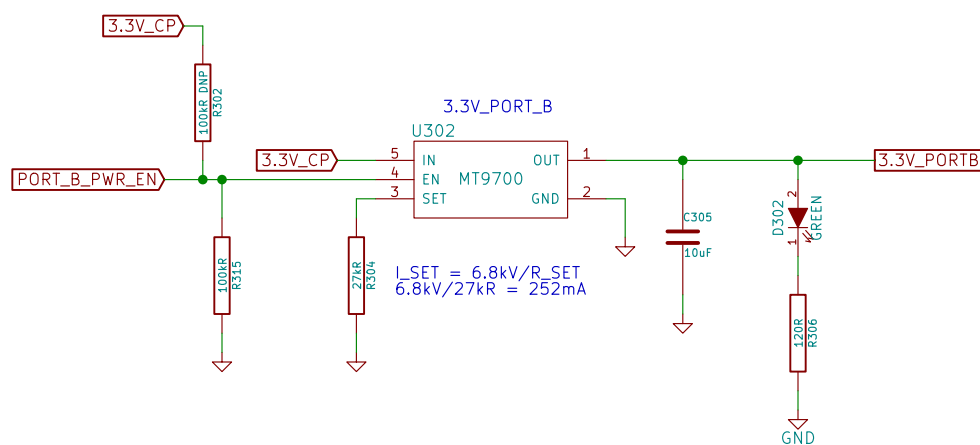
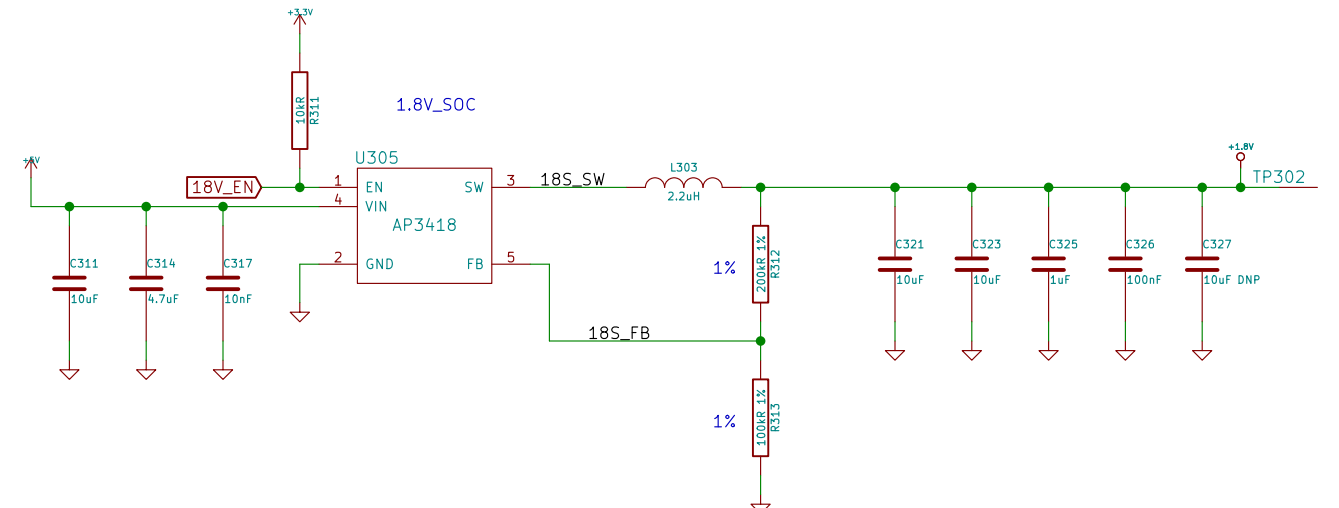
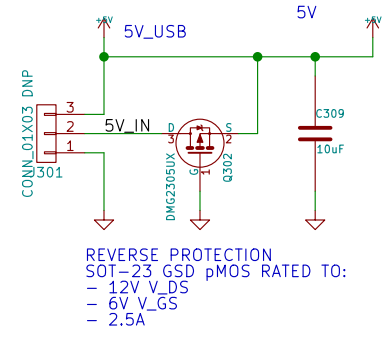
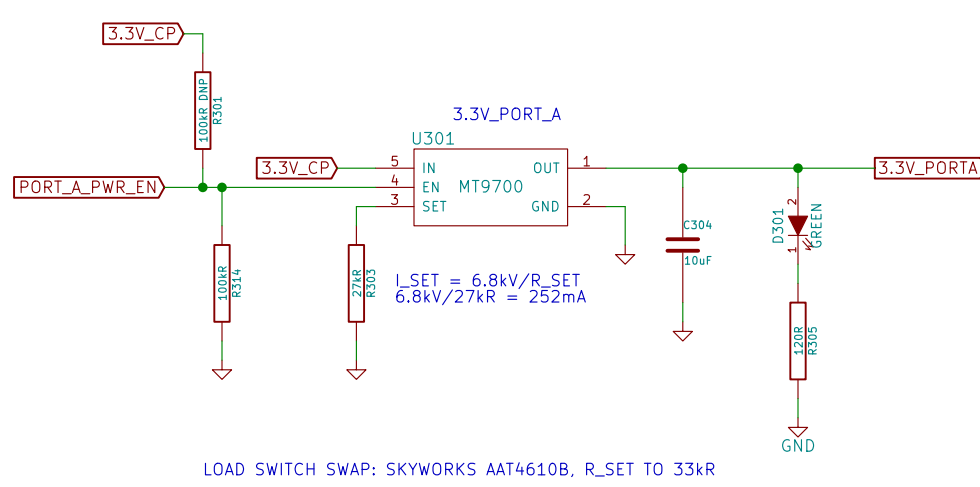
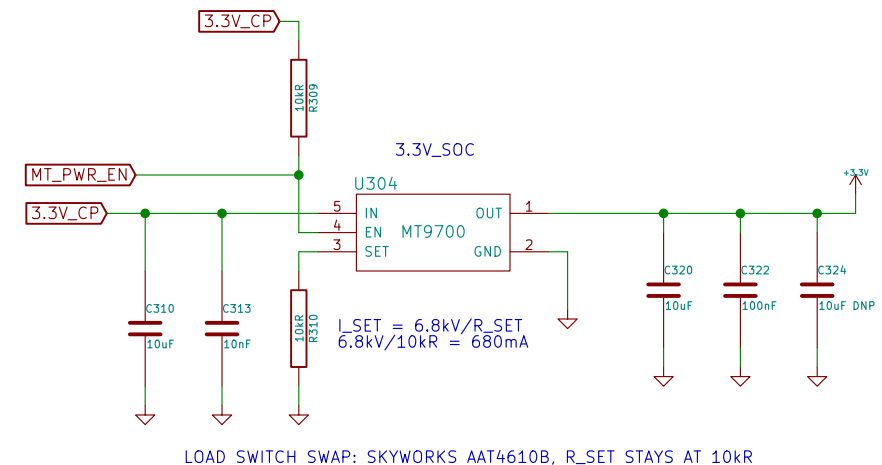
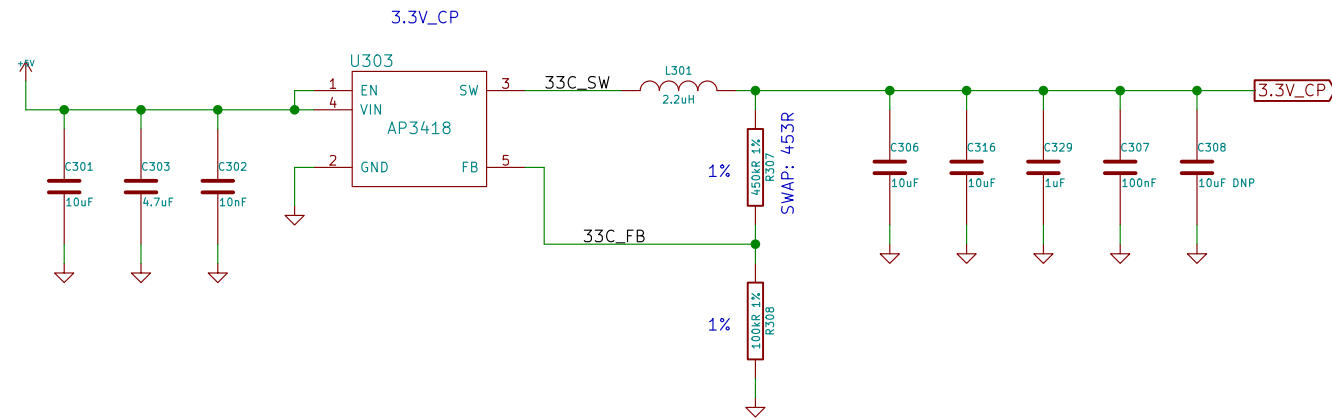
SILK104
Tessel logo

SILK105
Tessel logo

CC-BY-SA or Solderpad, at your option. Copyright 2015 Technical Machine Inc.		
Technical Machine		
Sheet: / File: tessel-v2.sch		
Title: Tessel 2		
Size: B	Date: 2015-06-20	Rev: TM-T2-04
KiCad E.D.A. kicad 4.0.1-stable		Id: 1/9

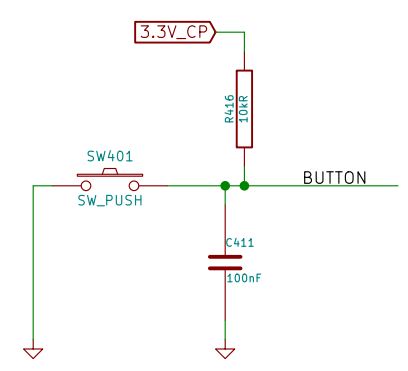
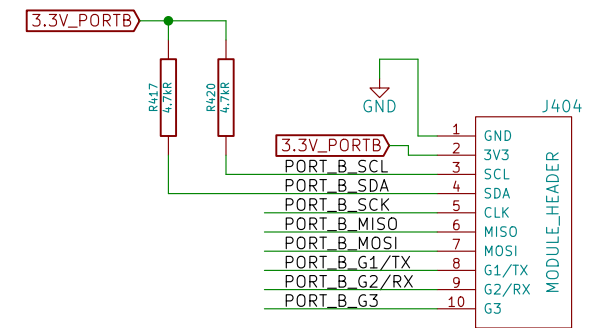
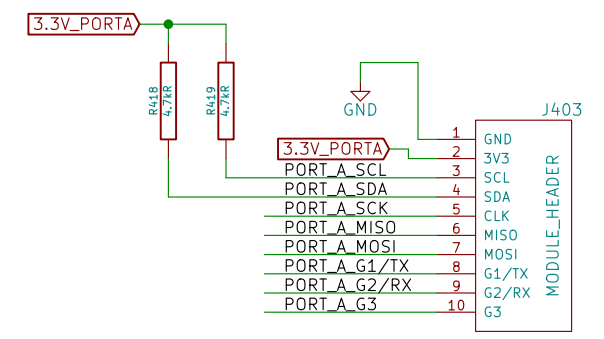
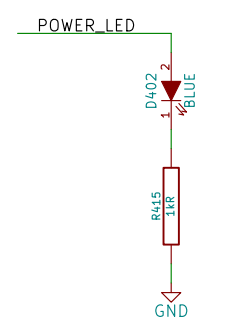
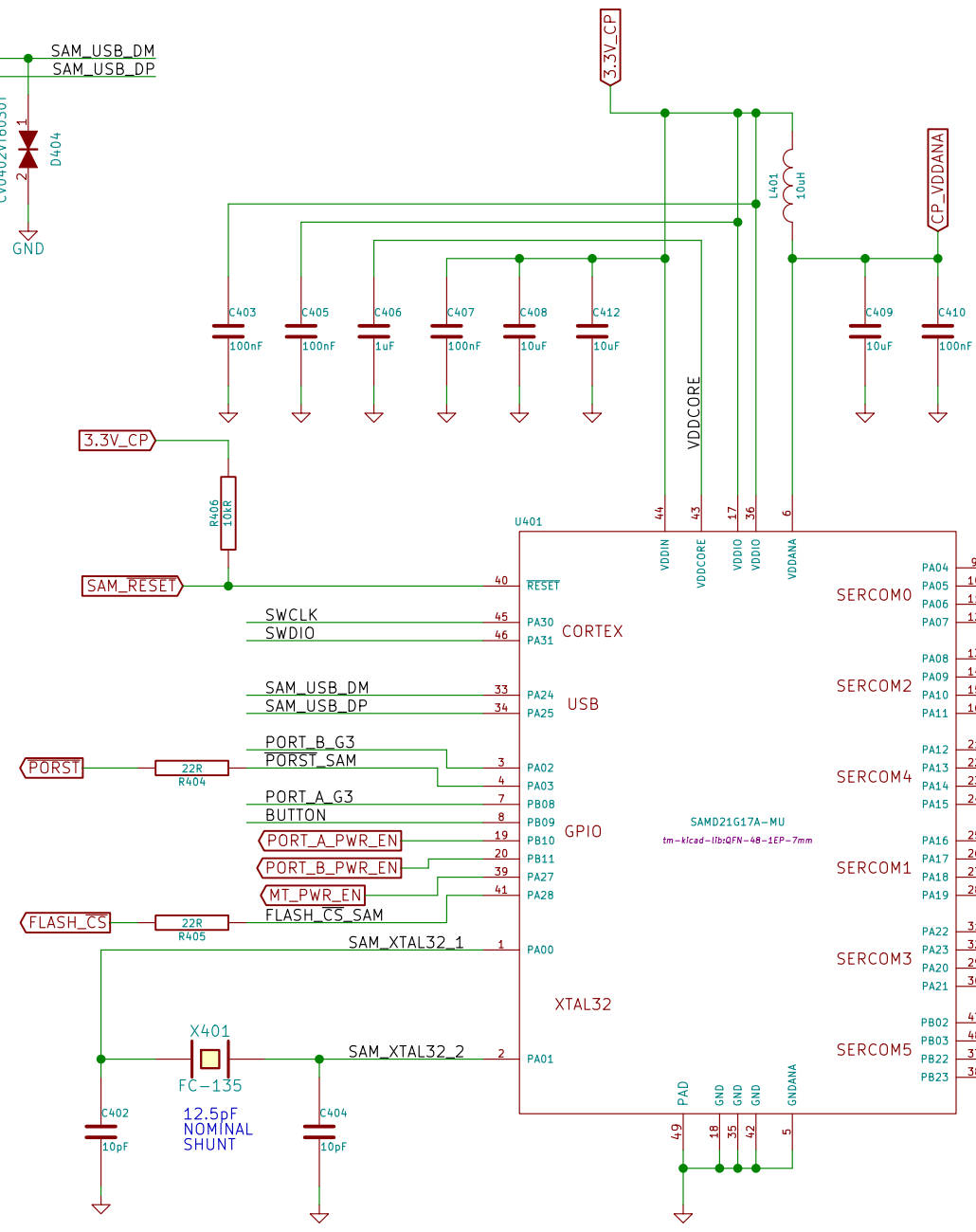
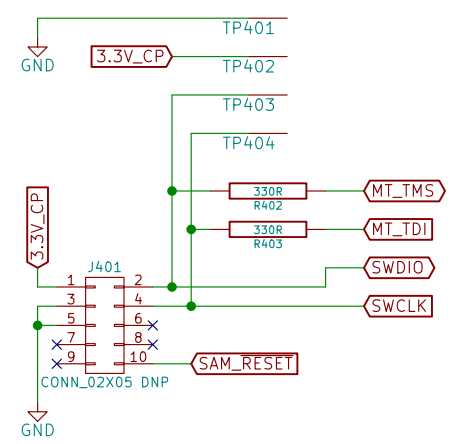
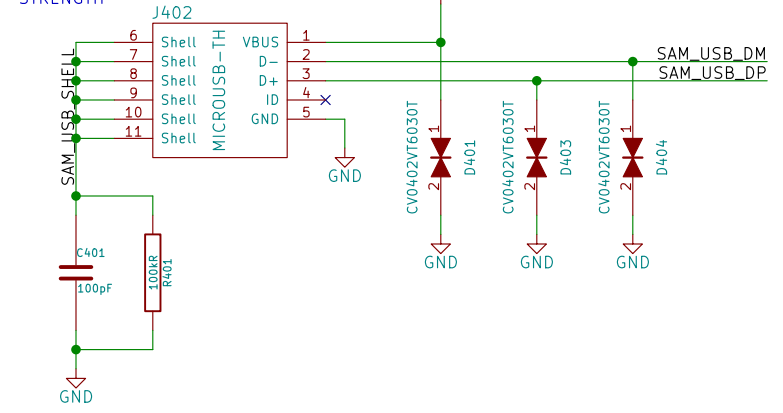


CC-BY-SA or Solderpad, at your option.
 Copyright 2015 Technical Machine Inc.
Technical Machine
 Sheet: /MEDIATEK/
 File: tessel-v2-mediatek.sch
Title: Tessel 2
 Size: B Date: 2015-06-20 Rev: **TM-T2-04**
 KiCad E.D.A. kicad 4.0.1-stable Id: 2/9



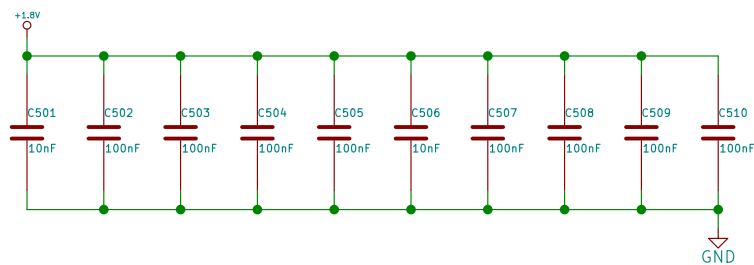
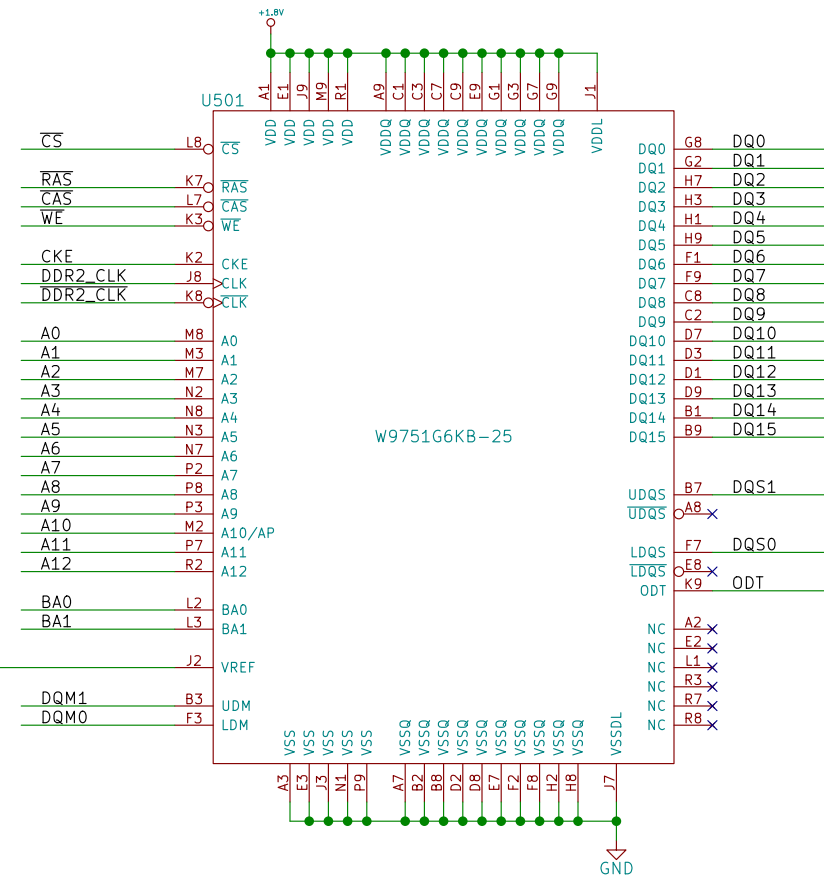
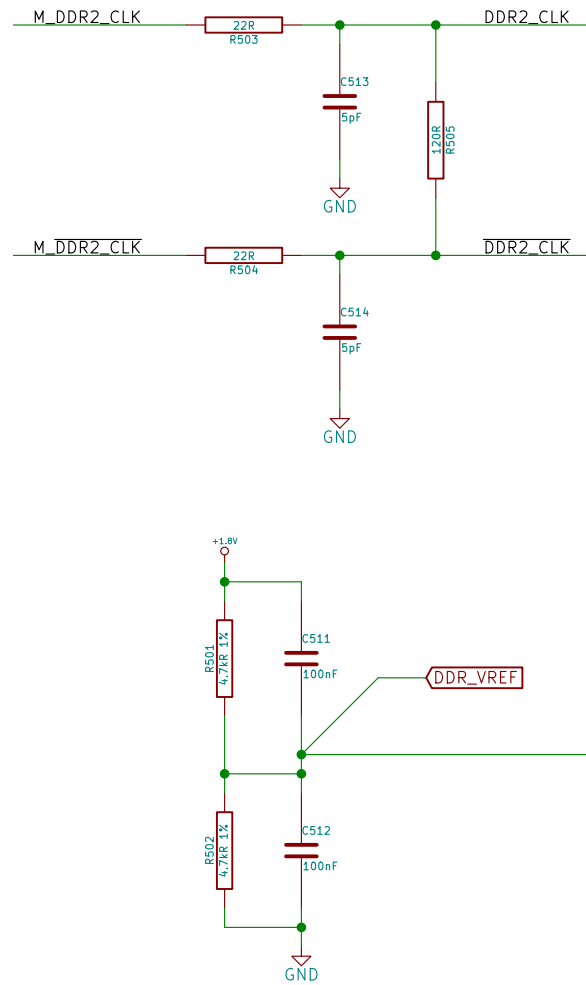
CC-BY-SA or Solderpad, at your option.
Copyright 2015 Technical Machine Inc.
Technical Machine
Sheet: /POWER/
File: tessel-v2-power.sch
Title: Tessel 2
Size: B Date: 2015-06-20 Rev: TM-T2-04
KiCad E.D.A. kicad 4.0.1-stable Id: 3/9

VIA STAKE SHELL
PADS FOR MECHANICAL
STRENGTH



CC-BY-SA or Solderpad, at your option.
Copyright 2015 Technical Machine Inc.
Technical Machine
Sheet: /COPROCESSOR/
File: tessel-v2-coprocessor.sch

U201B MT7620N					
DQ0	24	DDR_DQ0	DDR_MA0	20	A0
DQ1	26	DDR_DQ1	DDR_MA1	107	A1
DQ2	99	DDR_DQ2	DDR_MA2	96	A2
DQ3	27	DDR_DQ3	DDR_MA3	31	A3
DQ4	102	DDR_DQ4	DDR_MA4	21	A4
DQ5	23	DDR_DQ5	DDR_MA5	106	A5
DQ6	101	DDR_DQ6	DDR_MA6	97	A6
DQ7	100	DDR_DQ7	DDR_MA7	30	A7
DQ8	88	DDR_DQ8	DDR_MA8	22	A8
DQ9	11	DDR_DQ9	DDR_MA9	104	A9
DQ10	87	DDR_DQ10	DDR_MA10	32	A10
DQ11	12	DDR_DQ11	DDR_MA11	98	A11
DQ12	86	DDR_DQ12	DDR_MA12	105	A12
DQ13	13	DDR_DQ13	DDR_ODT	17	ODT
DQ14	85	DDR_DQ14	MCK_N	16	M_DDR2_CLK
DQ15	14	DDR_DQ15	MCK_P	90	M_DDR2_CLK
DQM0	28	DDR_DQM0	DDR_CKE	34	CKE
DQM1	15	DDR_DQM1	DDR_CS_N	94	CS
DQS0	103	DDR_DQS0	DDR_CAS_N	19	CAS
DQS1	89	DDR_DQS1	DDR_RAS_N	92	RAS
BA0	33	DDR_BA0	DDR_WE_N	109	WE
BA1	108	DDR_BA1			



CC-BY-SA or Solderpad, at your option.
Copyright 2015 Technical Machine Inc.

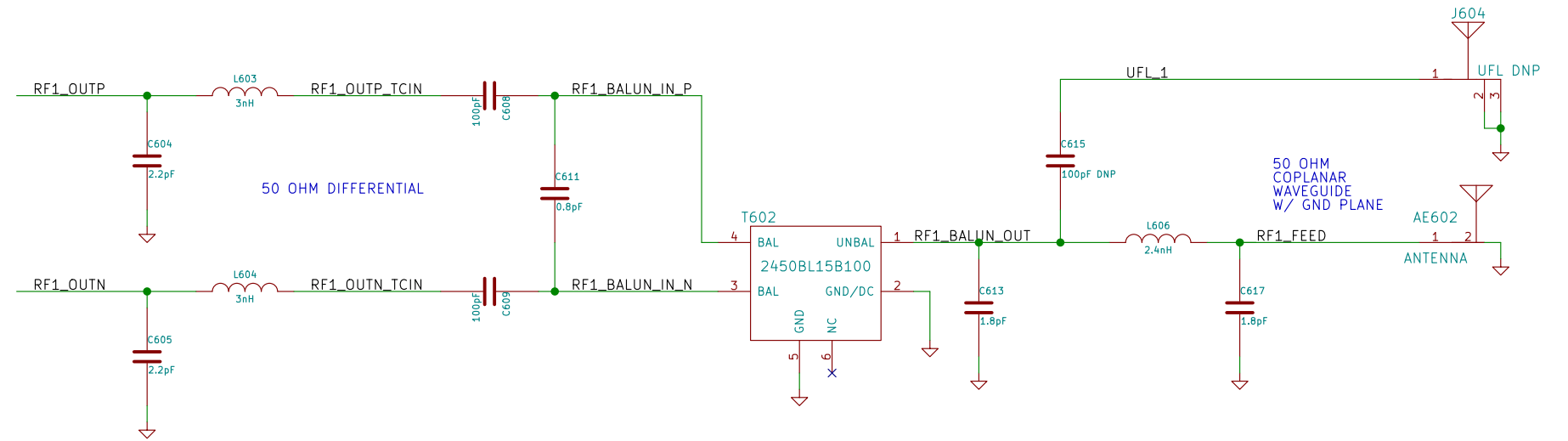
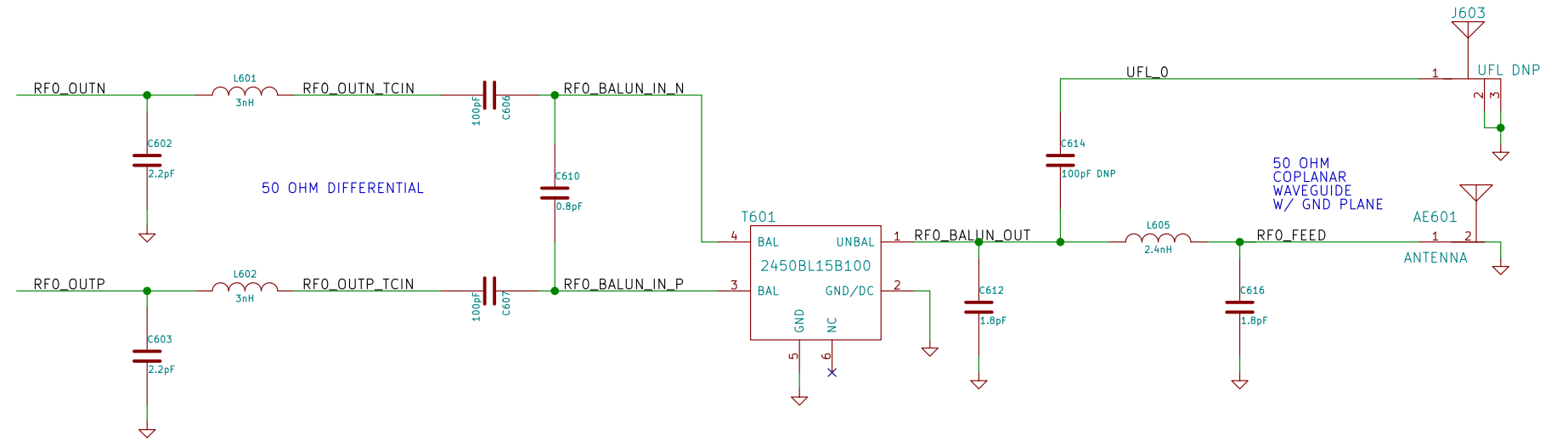
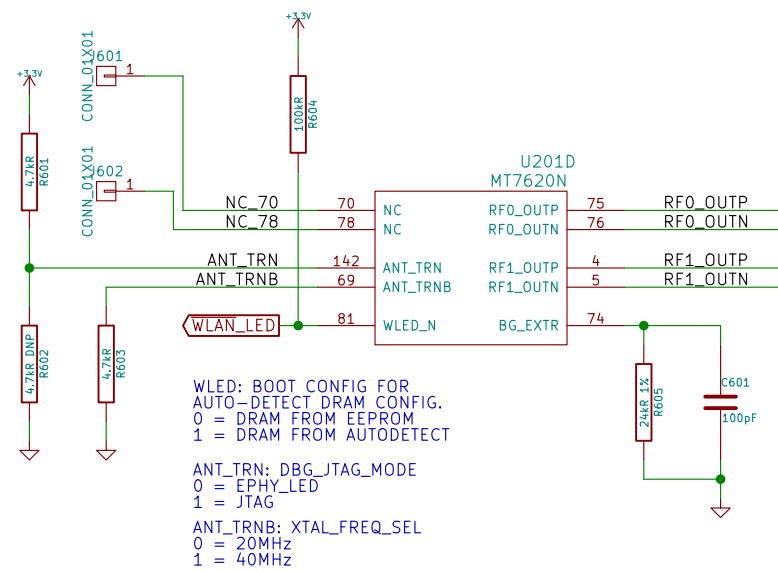
Technical Machine

Sheet: /RAM/
File: tessel-v2-mediatek-ram.sch

Title: Tessel 2

Size: B Date: 2015-06-20
KiCad E.D.A. kicad 4.0.1-stable

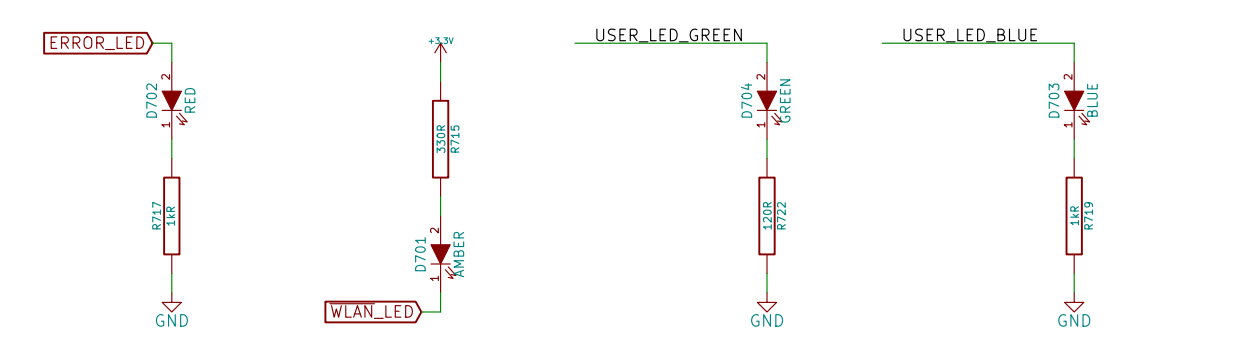
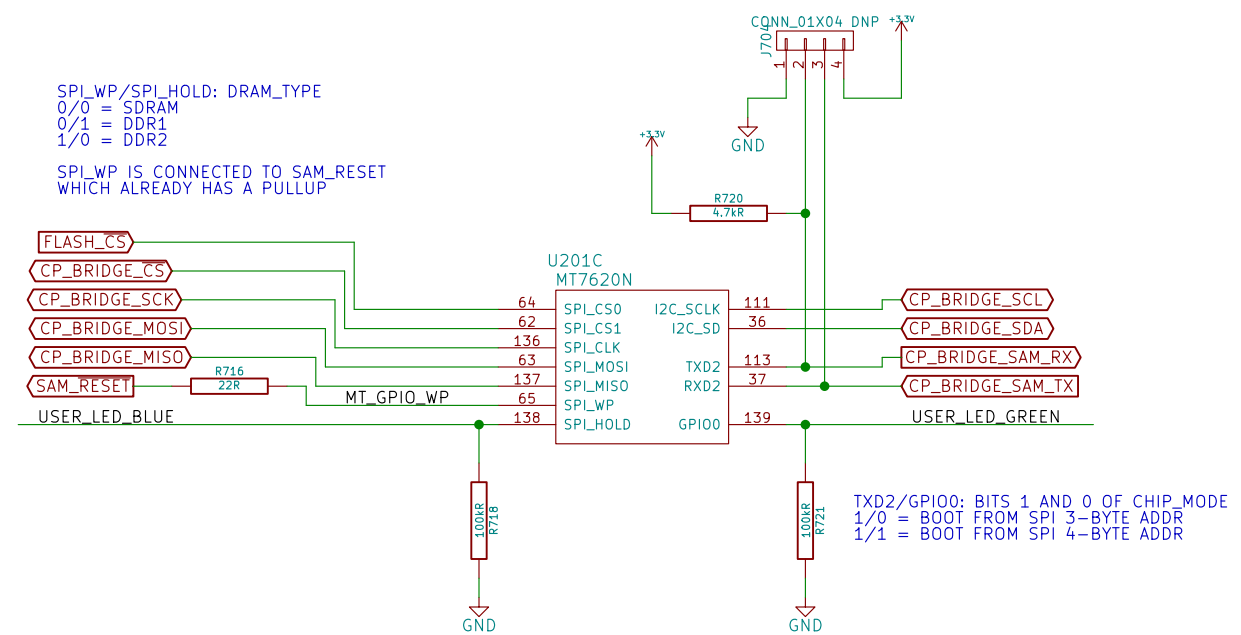
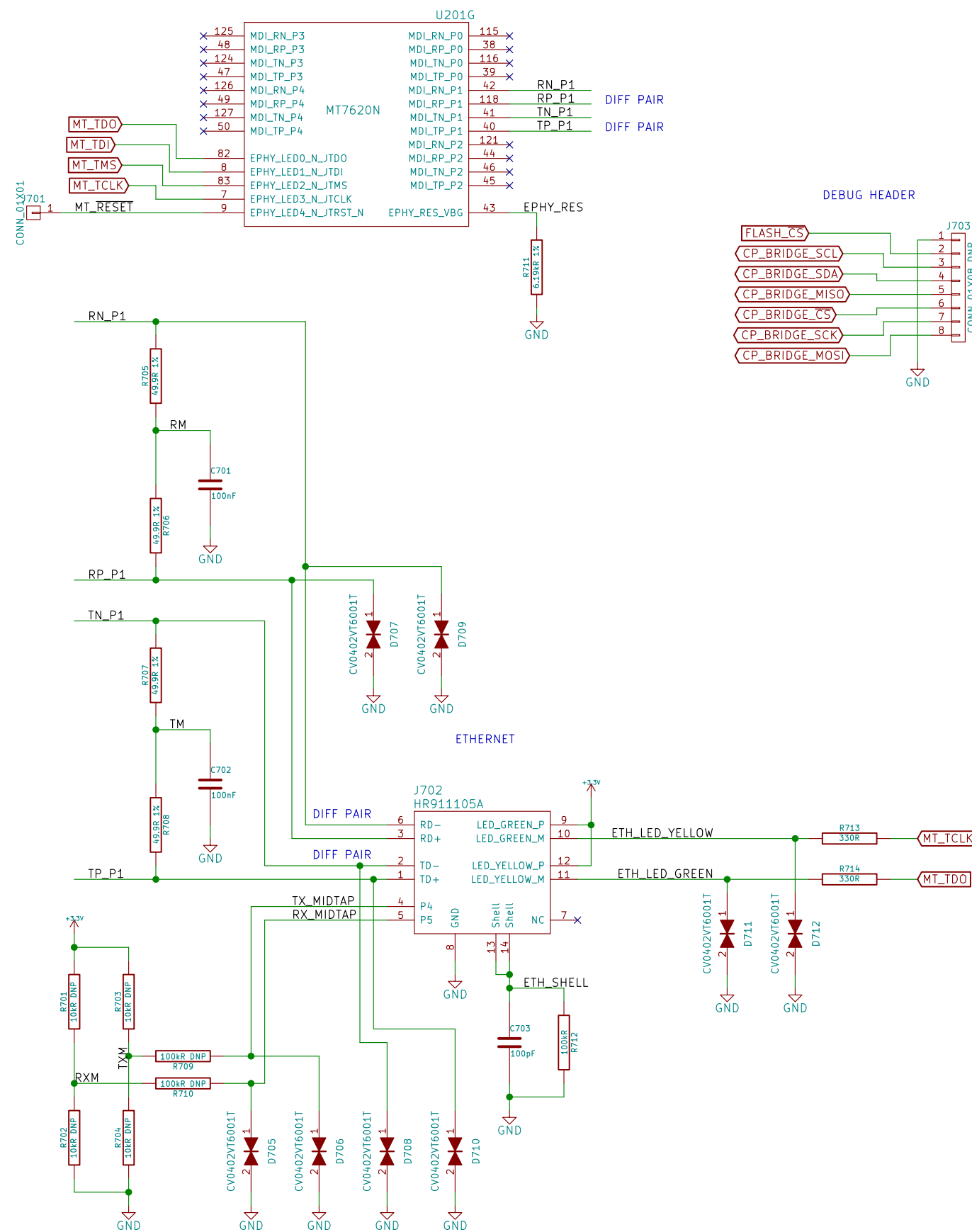
Rev: TM-T2-04
Id: 5/9

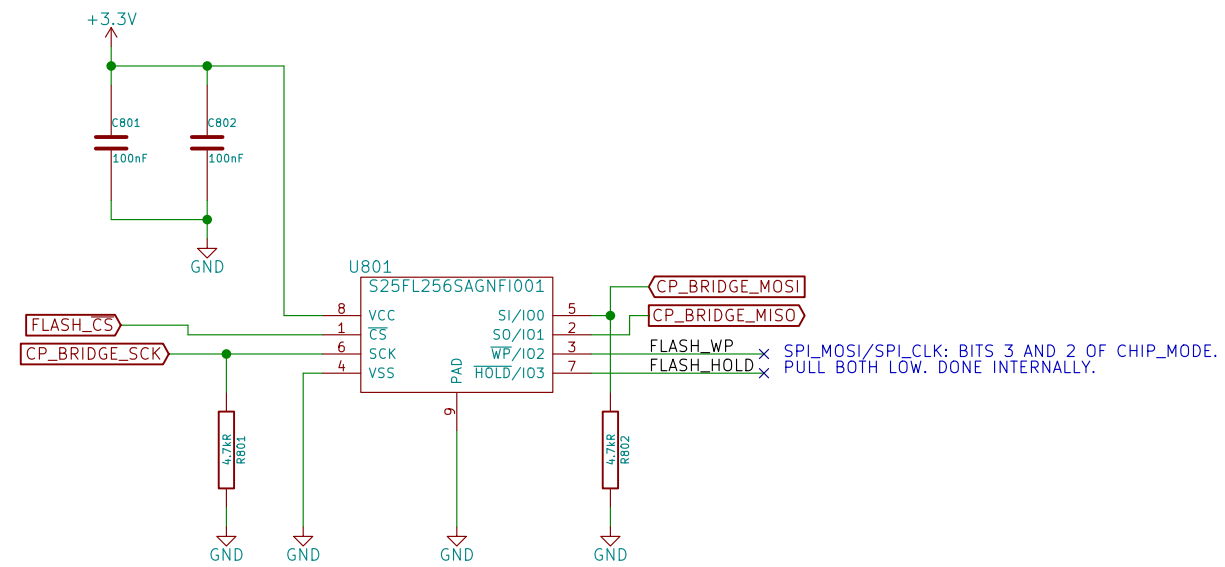


CC-BY-SA or Solderpad, at your option.
Copyright 2015 Technical Machine Inc.
Technical Machine
Sheet: /RF/
File: tessel-v2-mediatek-rf.sch

Title: Tessel 2

Size: B	Date: 2015-06-20	Rev: TM-T2-04
KiCad E.D.A. kicad 4.0.1-stable		Id: 6/9





CC-BY-SA or Solderpad, at your option.
Copyright 2015 Technical Machine Inc.

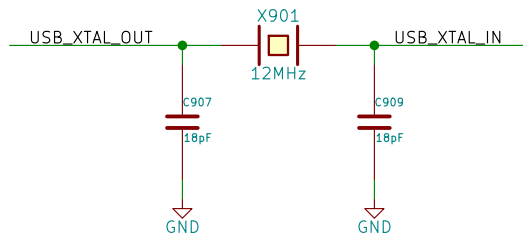
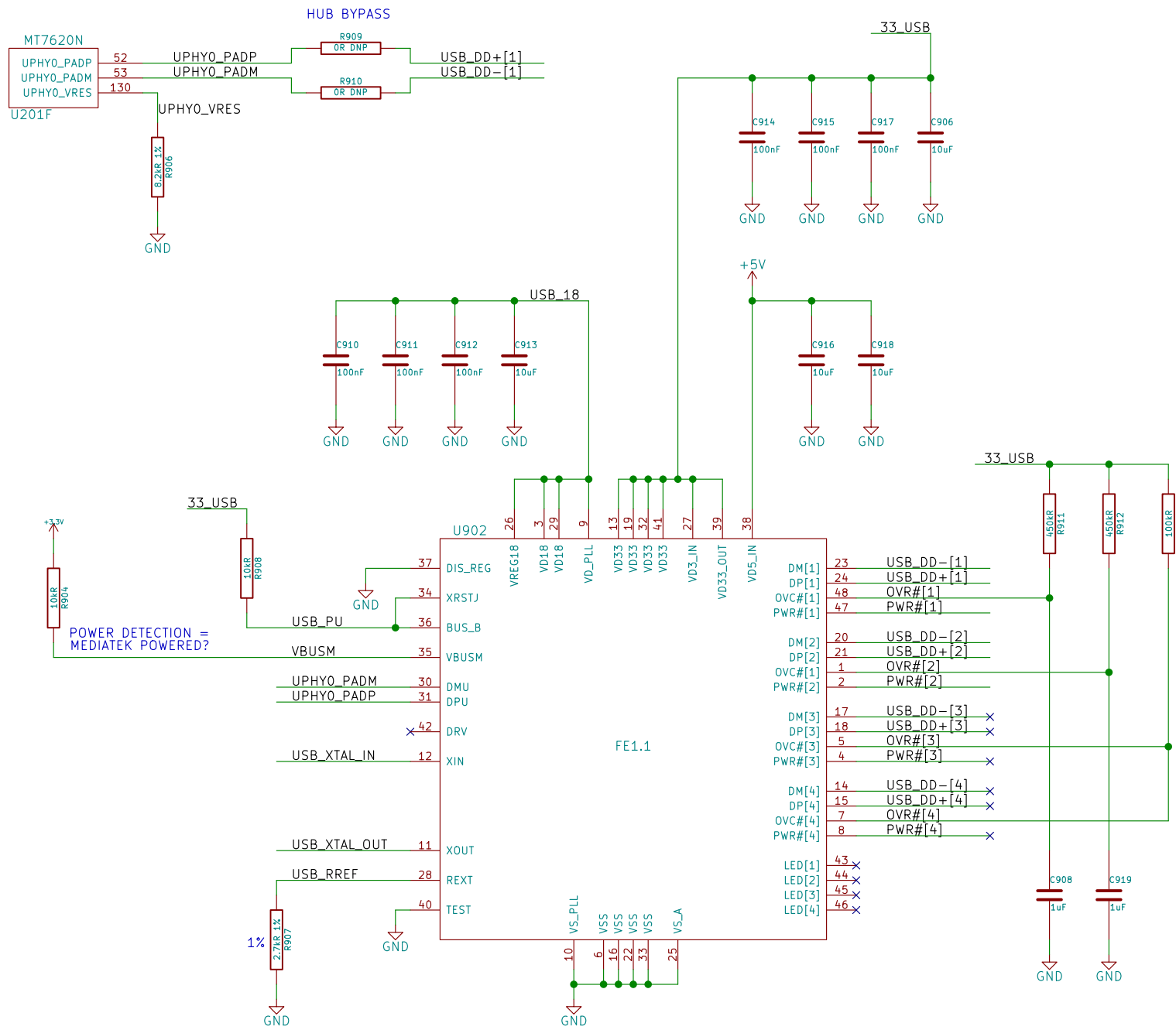
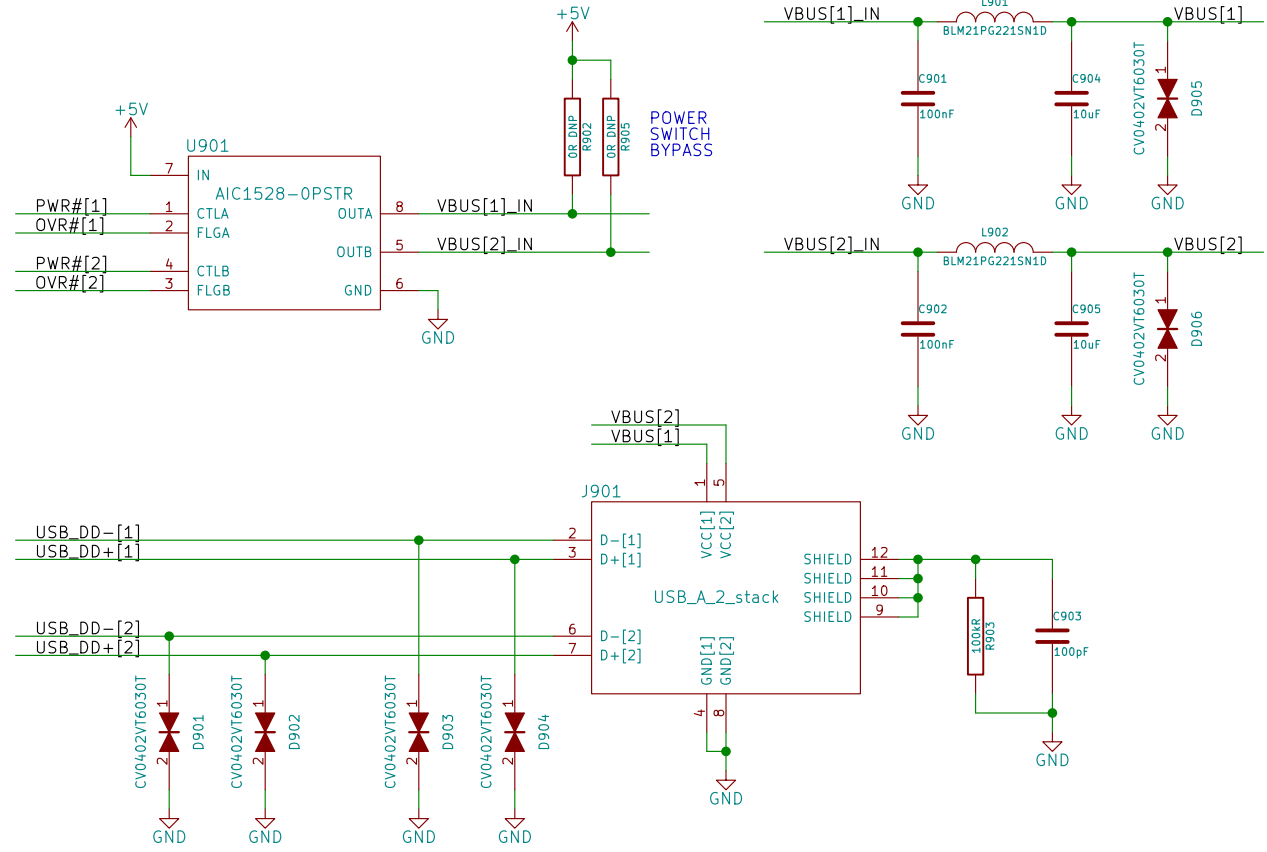
Technical Machine

Sheet: /FLASH/
File: tessel-v2-mediatek-flash.sch

Title: Tessel 2

Size: B Date: 2015-06-20

Rev: TM-T2-04
Id: 8/9



TWO ADDITIONAL USB PORTS OPTIONAL