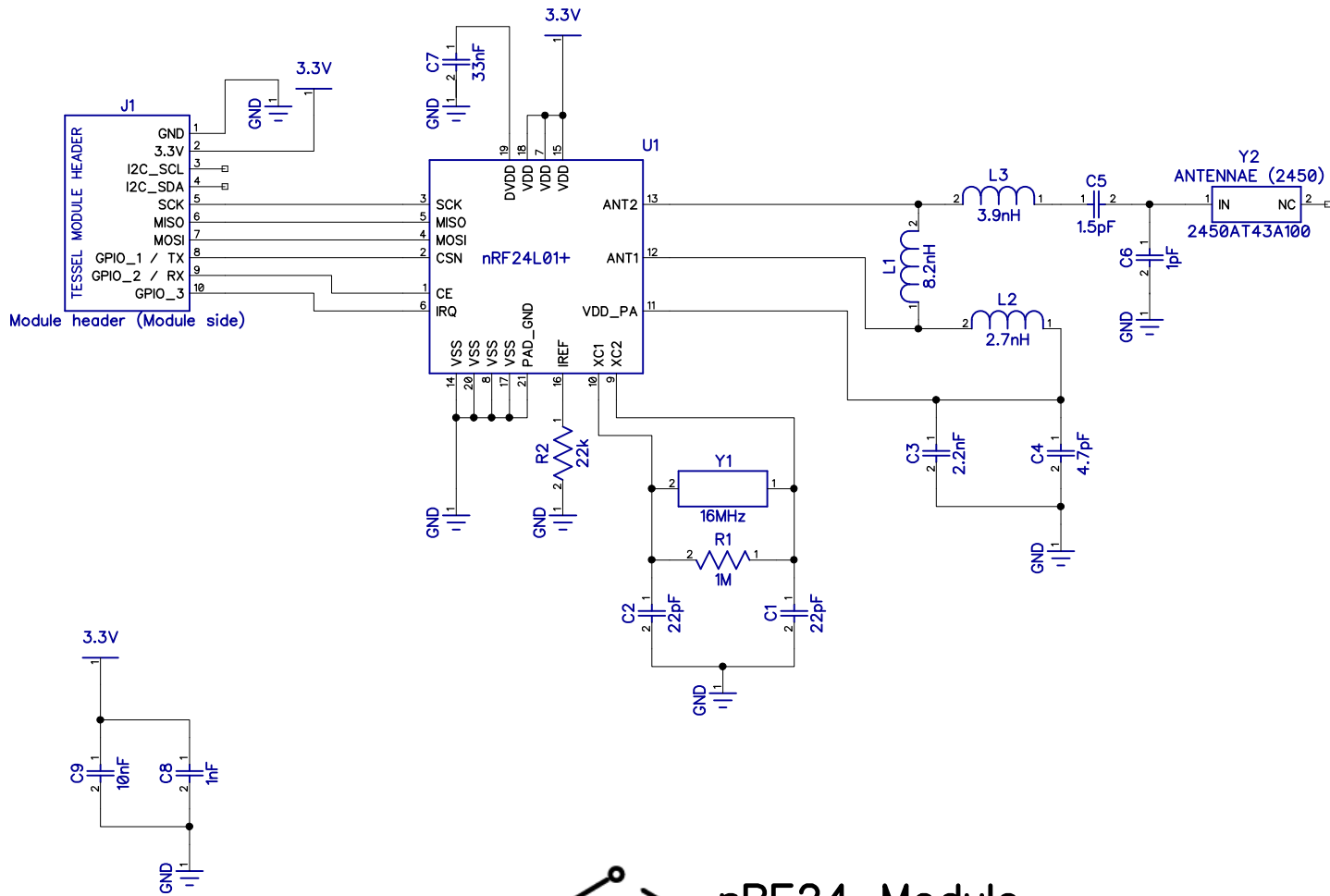


2

1

B

B



A

A

2

1



nRF24 Module

Copyright 2014 Technical Machine
License: CC-BY-SA

Sheet 1

TM-13-01.dch
2014.06.05