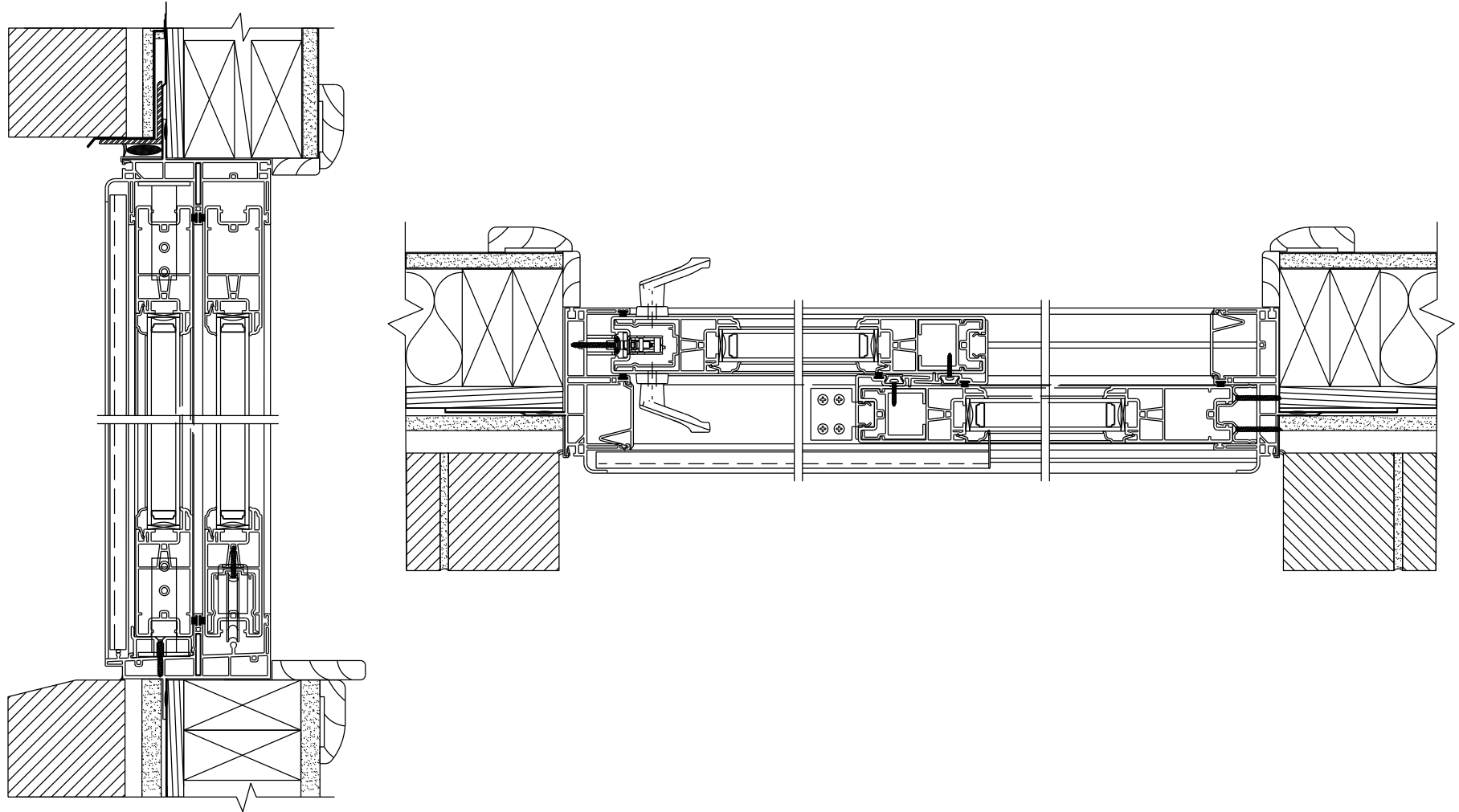


CAD MAINTAINED. CHANGES SHALL BE INCORPORATED BY THE DESIGN ACTIVITY.



<p>CONFIDENTIAL</p> <p>UNPUBLISHED WORK © 2013 DECEUNINCK NORTH AMERICA</p> <p>THIS DOCUMENT CONTAINS PROPRIETARY AND CONFIDENTIAL INFORMATION. DO NOT COPY OR DISCLOSE THIS INFORMATION WITHOUT THE EXPRESS WRITTEN CONSENT OF DECEUNINCK NORTH AMERICA. DECEUNINCK NORTH AMERICA RESERVES THE RIGHT TO CHANGE THIS DRAWING AND ANY ASSOCIATED DOCUMENTS.</p>	<p>UNLESS OTHERWISE SPECIFIED DIM ARE IN INCHES TOL ON ANGLES ± 1° 2 PL ± 0.010" 3 PL ± 0.005" INTERPRET DIM AND TOL PER ASME Y14.5M - 1994</p>	DESIGN BY: MTC	<p>deceuninck Deceuninck North America 351 N. Garver Road, Morroe, OH 45050</p>
		DATE:	
		DRAWN BY: KDW	<p>ICON 8000 PD BRICK</p>
		DATE: 9/11/15	
		AUTH: DATE:	SIZE DWG. NO:
		AUTH: DATE:	SCALE: (LBS/FT.)
		AUTH: DATE:	SHEET:
		FILENAME:	REV
		623620PD.BRICK	NEW

\$PLOTDATE\$

\$USER\$

\$FILE\$