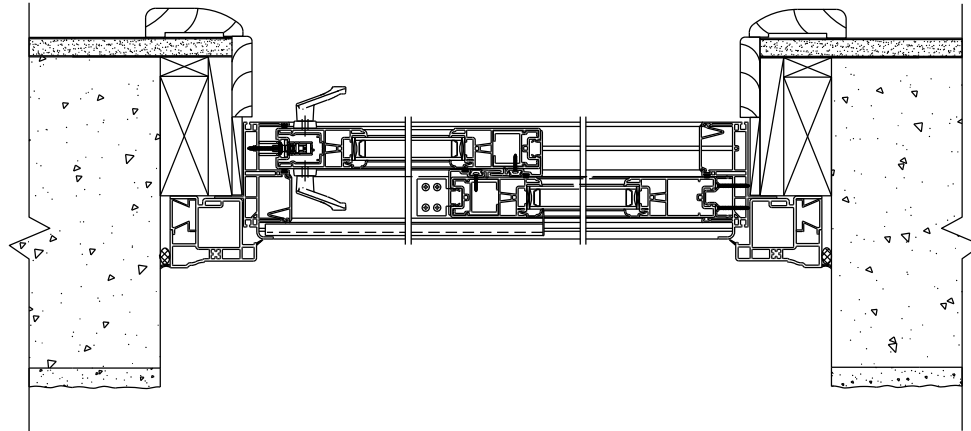
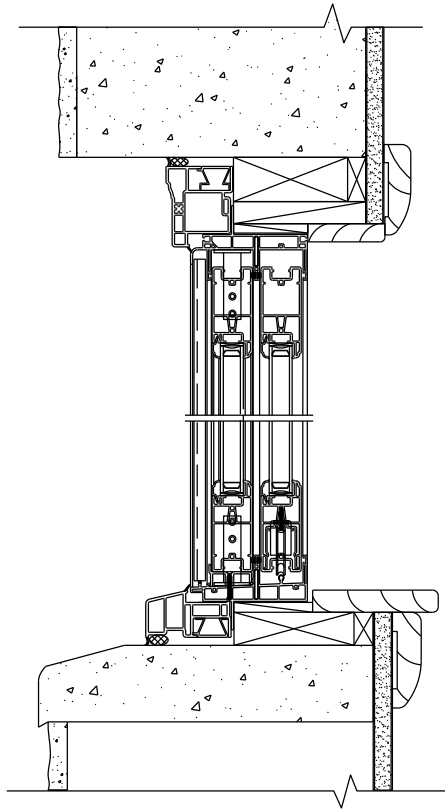



CAD MAINTAINED. CHANGES SHALL BE INCORPORATED BY THE DESIGN ACTIVITY.



\$PLOTDATE\$

\$USERS\$

\$SHEET\$

CONFIDENTIAL UNPUBLISHED WORK © 2013 DECEUNINCK NORTH AMERICA THIS DOCUMENT CONTAINS PROPRIETARY AND CONFIDENTIAL INFORMATION. DO NOT COPY OR DISCLOSE THIS INFORMATION WITHOUT THE EXPRESS WRITTEN CONSENT OF DECEUNINCK NORTH AMERICA. DECEUNINCK NORTH AMERICA RESERVES THE RIGHT TO CHANGE THIS DRAWING AND ANY ASSOCIATED DOCUMENTS.	UNLESS OTHERWISE SPECIFIED DIM ARE IN INCHES TOL ON ANGLES ± 1° 2 PL ± 0.000" 3 FL ± 0.005" INTERPRET DIM AND TOL PER ASME Y14.5M - 1994	DESIGN BY: MTC	 Deceuninck North America 351 N. Garver Road Monroeville, OH 45000
		DATE:	
		DRAWN BY: KDW	
		DATE: 8/28/15	
		AUTH: DATE:	
		AUTH: DATE:	
		FILENAME: 623620PD.BLOCK	
			SIZE DRC. NOS: 1 C SCALE: (LBS/FT.) SHEET: