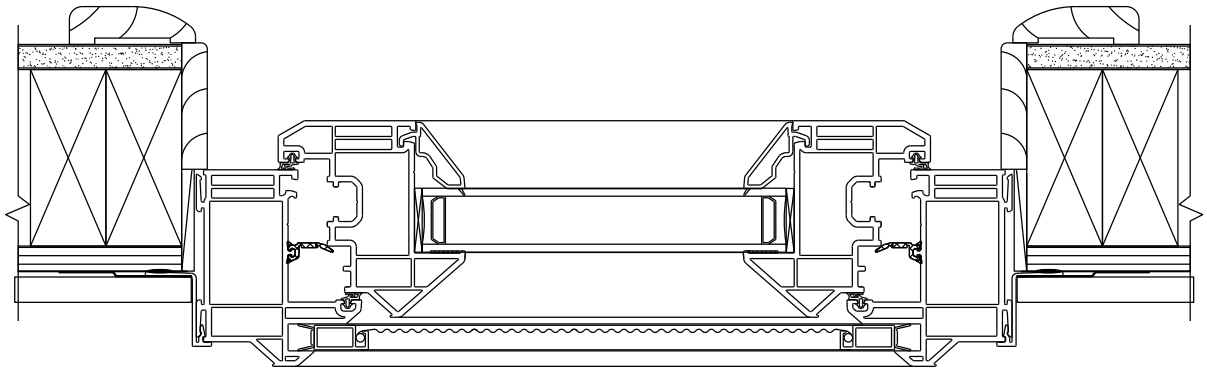
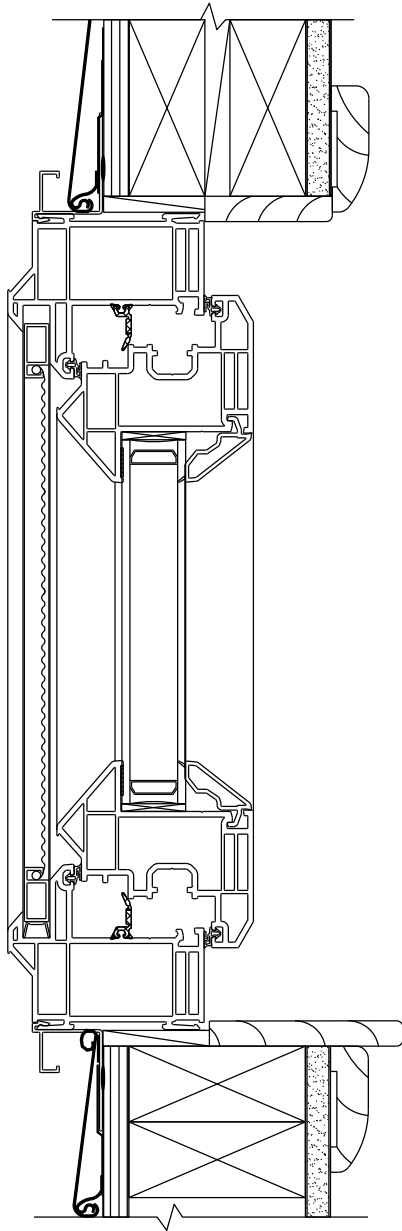


CAD MAINTAINED. CHANGES SHALL BE  
INCORPORATED BY THE DESIGN ACTIVITY.



<p><b>CONFIDENTIAL</b></p> <p>UNPUBLISHED WORK © 2013 DECEUNINCK NORTH AMERICA</p> <p>THIS DOCUMENT CONTAINS PROPRIETARY AND CONFIDENTIAL INFORMATION. DO NOT COPY OR DISCLOSE THIS INFORMATION WITHOUT THE EXPRESS WRITTEN CONSENT OF DECEUNINCK NORTH AMERICA. DECEUNINCK NORTH AMERICA RESERVES THE RIGHT TO CHANGE THIS DRAWING AND ANY ASSOCIATED DOCUMENTS.</p>	<p>UNLESS OTHERWISE SPECIFIED DIM ARE IN INCHES TOL ON ANGLES ± 1° 2 PL ± 0.010" 3 PL ± 0.005" INTERPRET DIM AND TOL PER ASME Y14.5M - 1994</p>	DESIGN BY: MTC	<p><b>deceuninck</b> Deceuninck North America 351 N. Carver Road Monroe, OH 45050</p>
		DATE:	
	THIRD ANGLE PROJECTION	DRAWN BY: KDW	ICON REVOLUTION TT VINYL
		DATE: 9/2/15	SIZE DWG. NO: C
		AUTH: DATE:	SCALE: 1/8"=1'-0"
		AUTH: DATE:	SHEET: NEW
		FILENAME: 400400TT_VINYL	

\$PL01D4TES \$USERS \$FILEL\$