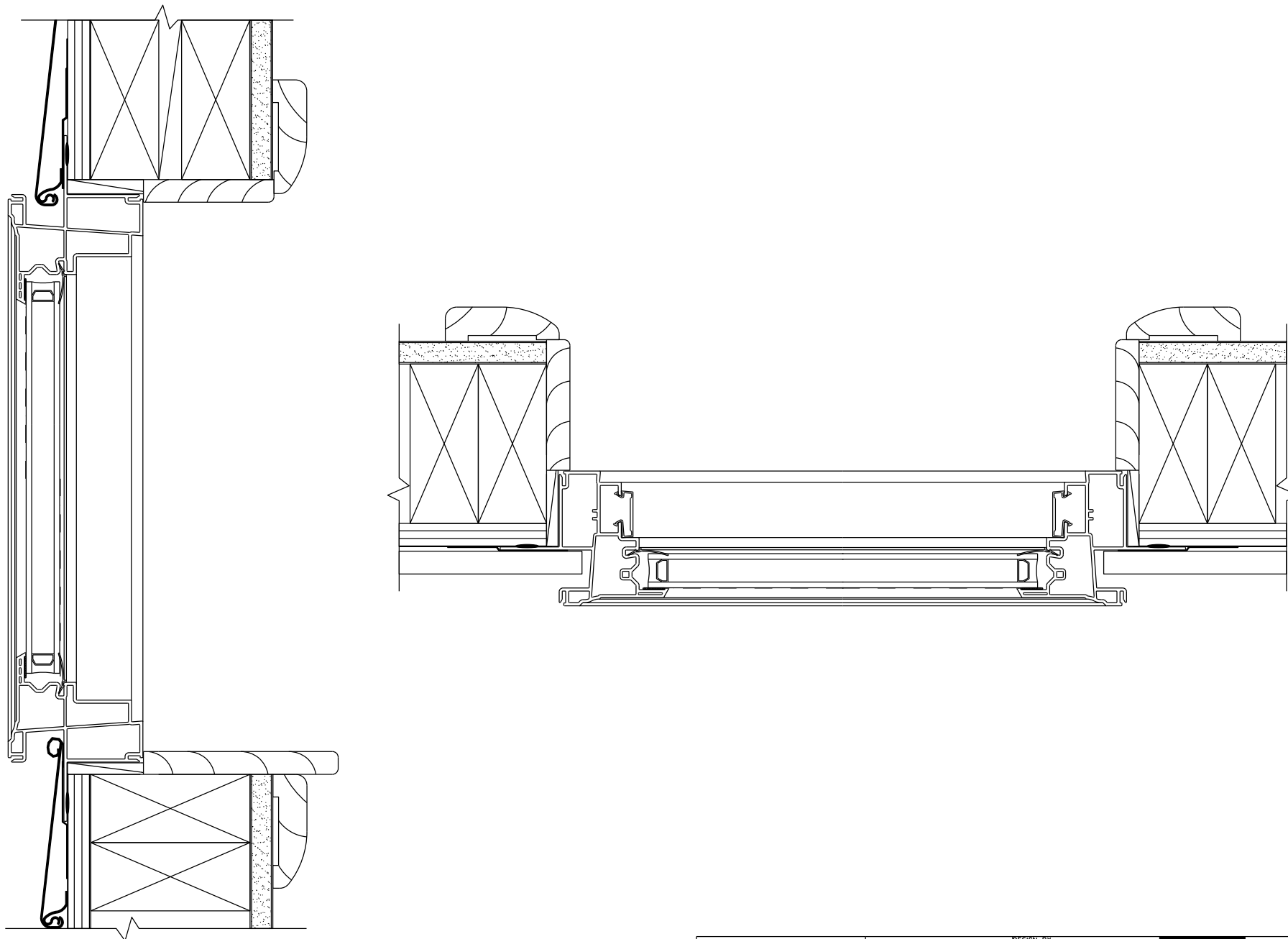


CAD MAINTAINED. CHANGES SHALL BE INCORPORATED BY THE DESIGN ACTIVITY.



FOR INFORMATION ONLY. SPECIFIC INSTALLATION DETAILS
MUST BE OBTAINED PRIOR TO INTALLATION.

CONFIDENTIAL UNPUBLISHED WORK © 2013 DECEUNINCK NORTH AMERICA THIS DOCUMENT CONTAINS PROPRIETARY AND CONFIDENTIAL INFORMATION. DO NOT COPY OR DISCLOSE THIS INFORMATION WITHOUT THE EXPRESS WRITTEN CONSENT OF DECEUNINCK NORTH AMERICA. DECEUNINCK NORTH AMERICA RESERVES THE RIGHT TO CHANGE THIS DRAWING AND ANY ASSOCIATED DOCUMENTS.	UNLESS OTHERWISE SPECIFIED DIM ARE IN INCHES TOL ON ANGLES ± 1° 2 PL ± 0.010" 3 PL ± 0.005" INTERPRET DIM AND TOL PER ASME Y14.5M - 1994	DESIGN BY: MTC DATE: DRAWN BY: TJD DATE: 6/18/15 AUTH: DATE: AUTH: DATE: FILENAME: 30000PW_VINYL	deceuninck Deceuninck North America 351 N. Gavver Road Monroe, OH 45050 NAME: ICON 3000 PW VINYL SIDING SIZE DWG. NO: SCALE: (LBS/FT.) SHEET:
	THIRD ANGLE PROJECTION 	REV. NEW	

\$PLOTDATE\$

\$USERS\$

\$FILEL\$