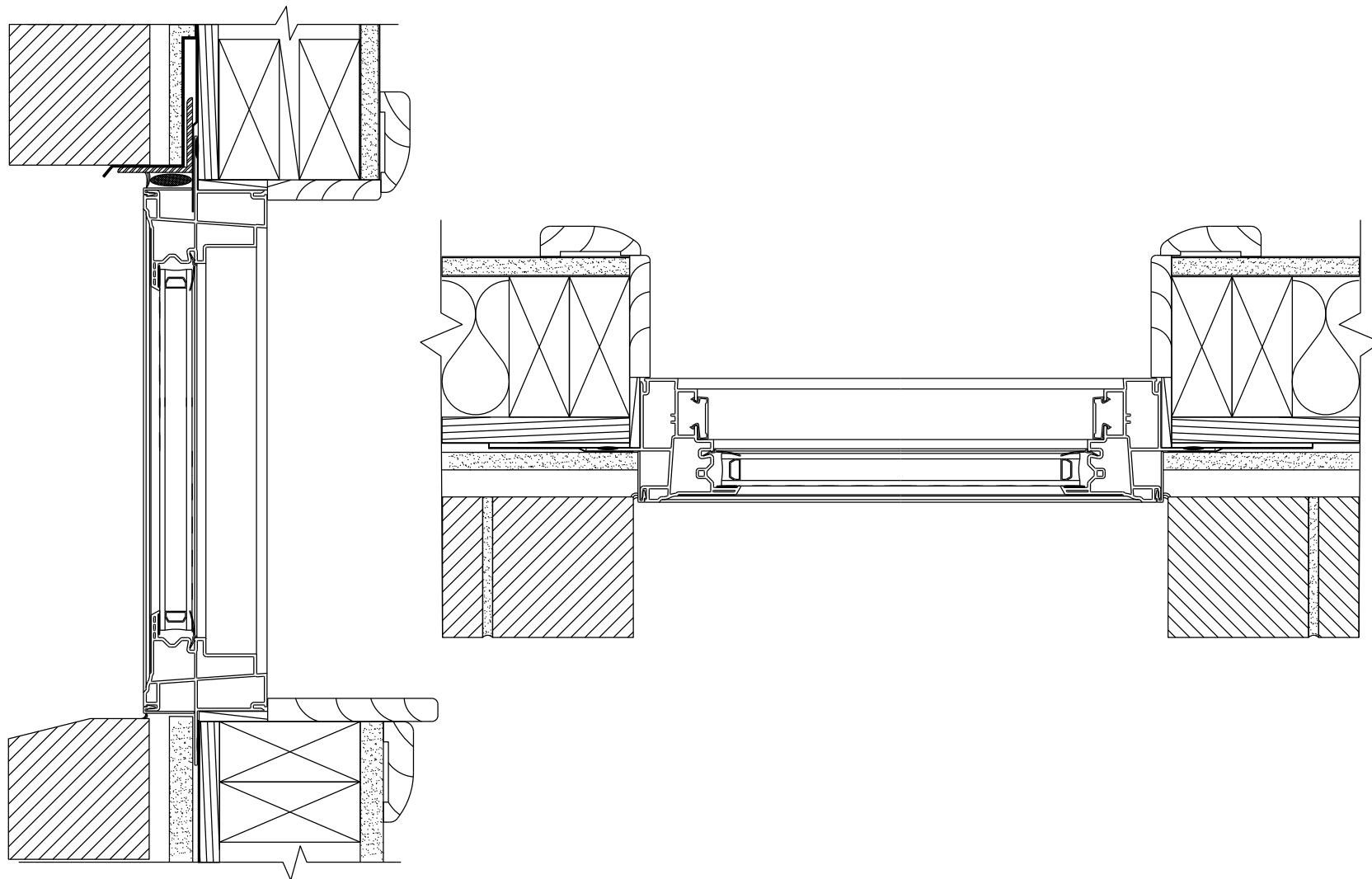


CAD MAINTAINED. CHANGES SHALL BE INCORPORATED BY THE DESIGN ACTIVITY.



FOR INFORMATION ONLY. SPECIFIC INSTALLATION DETAILS MUST BE OBTAINED PRIOR TO INTALLATION.

CONFIDENTIAL UNPUBLISHED WORK © 2013 DECEUNINCK NORTH AMERICA	UNLESS OTHERWISE SPECIFIED DIM ARE IN INCHES TOL ON ANGLES = 1° 2 PL ± 0.010" 3 PL ± 0.005" INTERPRET DIM AND TOL PER ASME Y14.5M - 1994	DESIGN BY: MTC DATE: DRAWN BY: TJD DATE: 6/19/15 AUTH: DATE: AUTH: DATE: AUTH: DATE: AUTH: DATE: FILENAME: 30000PW_BRICK	deceuninck Decauninck North America 351 N. Gayer Road, Monroe, OH 45050
	THIS DOCUMENT CONTAINS PROPRIETARY AND CONFIDENTIAL INFORMATION. DO NOT COPY OR DISCLOSE THIS INFORMATION WITHOUT THE EXPRESS WRITTEN CONSENT OF DECEUNINCK NORTH AMERICA. DECEUNINCK NORTH AMERICA RESERVES THE RIGHT TO CHANGE THIS DRAWING AND ANY ASSOCIATED DOCUMENTS.	THIRD ANGLE PROJECTION	NAME: ICON 3000 PW BRICK SIZE DWG. NO: C SCALE: (LBS/FT.) SHEET: REV. NEW

\$PLOTDATE\$

\$USER\$

\$FILE\$