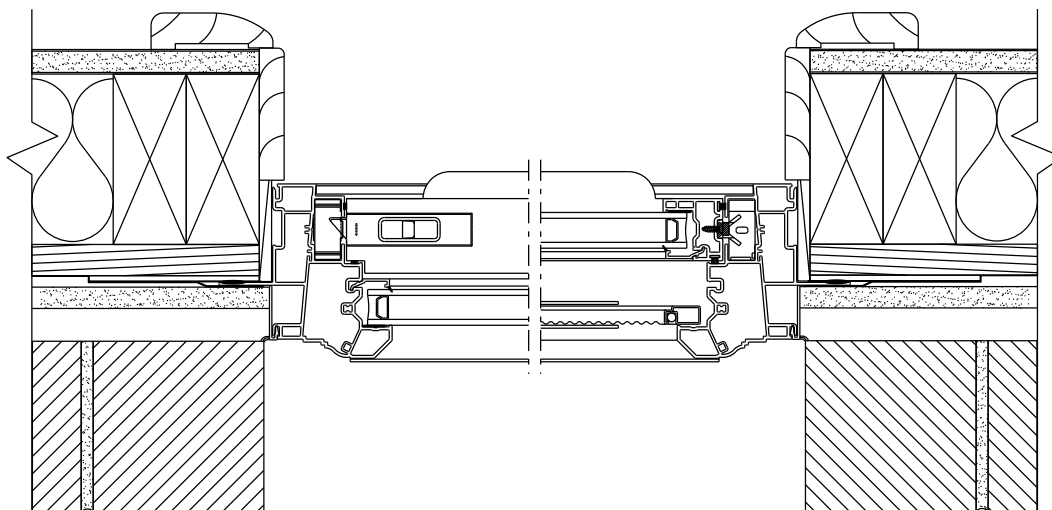
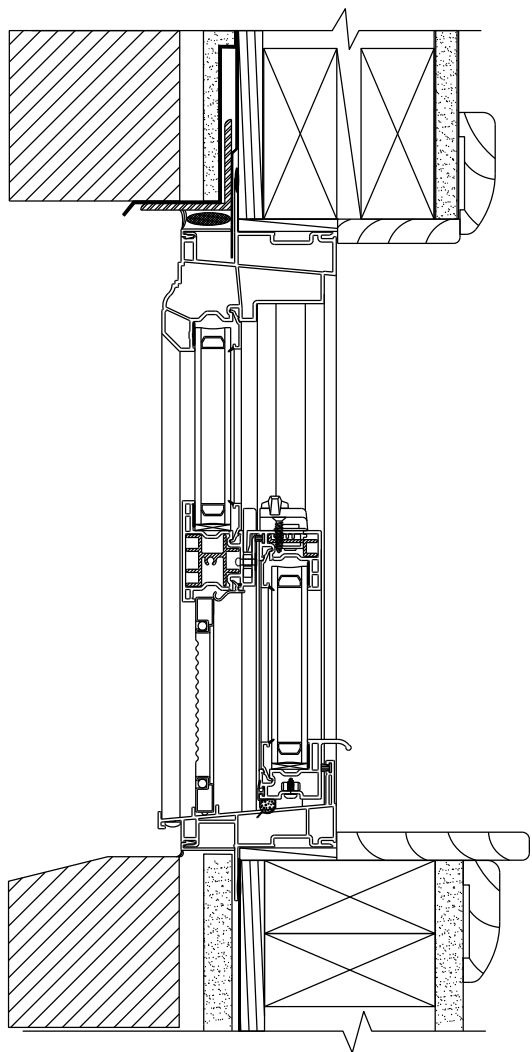


CAD MAINTAINED. CHANGES SHALL BE INCORPORATED BY THE DESIGN ACTIVITY.

\$PLOTDATE\$

\$USER\$

\$FILE\$



FOR INFORMATION ONLY. SPECIFIC INSTALLATION DETAILS
MUST BE OBTAINED PRIOR TO INTALLATION.

CONFIDENTIAL	UNLESS OTHERWISE SPECIFIED DIM ARE IN INCHES TOL ON ANGLES ± 1° 2 PL ± 0.010° 3 PL ± 0.005° INTERPRET DIM AND TOL PER ASME Y14.5M - 1994	DESIGN BY: MTC	deceuninck	DecoUninck North America 351 N. Gayer Road, Monroe, OH 45050	
		DATE:		DATE:	NAME:
UNPUBLISHED WORK © 2013 DECEUNINCK NORTH AMERICA	THIRD ANGLE PROJECTION	DRAWN BY: TJD	ICON 3000 SH BRICK		
THIS DOCUMENT CONTAINS PROPRIETARY AND CONFIDENTIAL INFORMATION. DO NOT COPY OR DISCLOSE THIS INFORMATION WITHOUT THE EXPRESS WRITTEN CONSENT OF DECEUNINCK NORTH AMERICA. DECEUNINCK NORTH AMERICA RESERVES THE RIGHT TO CHANGE THIS DRAWING AND ANY ASSOCIATED DOCUMENTS.		AUTH:	DATE:	DATE:	DATE:
		FILENAME: I450935H_BRICK	SCALE: (LBS/FT.)	SHEET:	REV. NEW