

# SIEMENS

*Ingenuity for life*

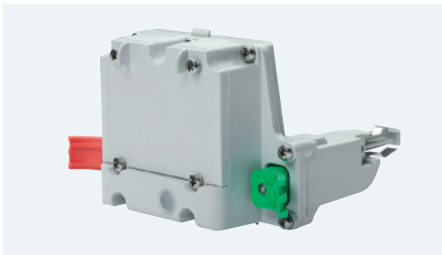
## Fusesaver

With sectionalizing functionality

[usa.siemens.com/fusesaver](http://usa.siemens.com/fusesaver)

### Isolating faulted network sections effectively

The Fusesaver® overhead circuit breaker with sectionalizing functionality is designed a medium-voltage overhead distribution network up to 27 kV and 6.3 kA. Working in conjunction with an upstream recloser or circuit breaker, the Fusesaver automatically isolates the faulted network section when a permanent fault occurs. The self-contained unit opens after detecting a pre-determined number of fault clearing attempts from the upstream protection device. By operating only under permanent fault conditions, it prevents unnecessary outages. In the event of a temporary fault, upstream protection devices clear the fault. Fusesaver is a simple yet effective way to improve network reliability while providing a high degree of customizable options.



#### Key features:

- Fault rated up to 6.3 kA
- Opening time less than one cycle
- Event log and load profile
- Inrush restraint and cold load pickup modifiers
- Single and multi-phase operations
  - Multi-phase lockout for single-phase faults (avoiding ferro-resonance risks)
  - Wireless ganged operation with built in delay
- Fully configurable while in service (via wireless link)
  - Fault reset time
  - Current detection levels
  - Counts to open (up to four)
- High-intensity LED fault indicator
- Rechargeable battery back-up
- Can be a network switching point
- User-friendly operation
- Multiple mounting options.

#### Benefits:

- High level of service continuity
- Improved operator safety
- Environmentally friendly (no oil)
- Fast and easy installation
- Simple integration into network
- Easy coordination with existing reclosers
- Low capital cost (fast return on investment).

Traditional solutions often do not drop out and isolate when required. Fusesaver has reliable vacuum interrupting with a magnetic-actuator drive in a sealed environment to eliminate the risk of corrosion induced failures to operate.

# Fusesaver ratings

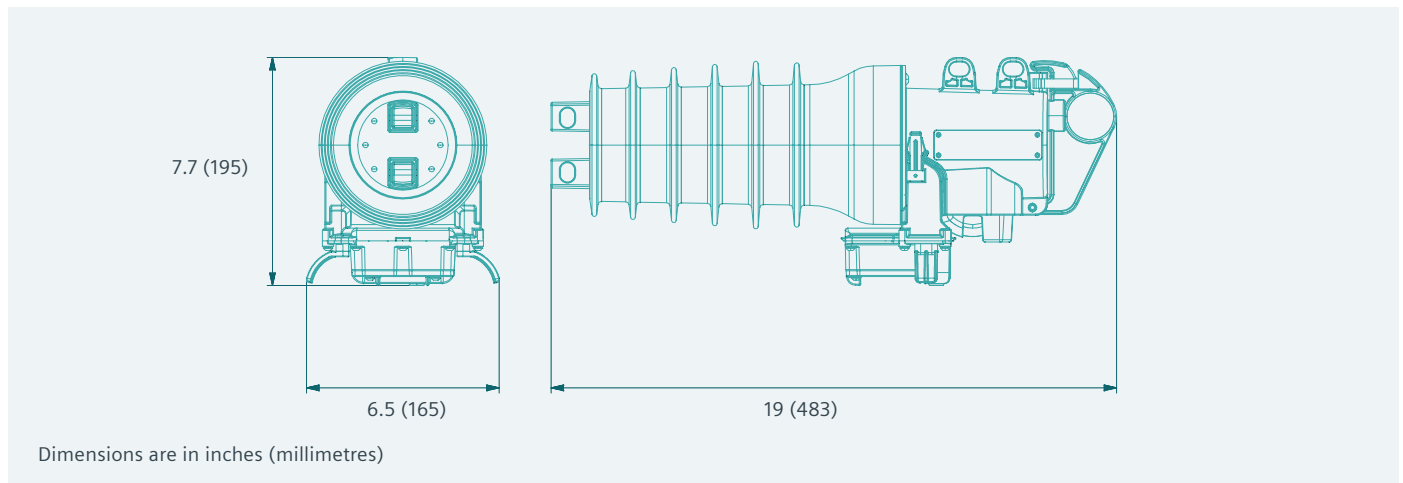
Conforms with the relevant sections of IEC 62271-100

Rating description	Unit	Standard	High range
Rated current	A	100	200
Rated maximum voltage	kV	27	
Rated BIL	kV	125	
Pick-up current	A	5 to 200 in 1 A increments	
Number of opening counts		1–4	
Dead line detection level	A	<0.5	<0.5
Dead line verification time	msec	<80	
Total opening time	msec	<100	
Count reset timer	s	1 to 300 in 1 s increments	
Minimum line current to self-power	A	0.5	1.0
Battery back-up power		Yes <sup>(a)</sup>	
Short-time current	kA	4	6.3
Short-time current duration <sup>1</sup> (thermal overload protection)	s	0.2	0.5
Peak current	kA	10.4	16.4
Load-/fault-break current	kA	4	6.3

Service environment	Rating
Operating temperature range	-40 <sup>(b)</sup> to +122 °F (-40 <sup>(b)</sup> to +50 °C)
Humidity	0 to 100%
Maximum altitude	13,123 ft <sup>(c)</sup> (4,000 m) <sup>(c)</sup>
Pollution class	Very heavy

#### Footnotes:

- (a) Routine battery replacements every eight years.
- (b) Reclose intervals must be extended at temperatures below -31 °F (-35 °C).
- (c) De-rating required above 3,281 ft (1,000 m).



Published by Siemens Industry, Inc. 2020

Siemens Industry, Inc.  
99 Bolton Sullivan Drive  
Heber Springs, Arkansas 72543

For more information, including service and parts,  
please contact our Customer Support Center.  
Phone: +1 (800) 333-7421

[www.usa.siemens.com/fusesaver](http://www.usa.siemens.com/fusesaver)

Article No. SIDS-B40068-00-4AUS

Printed in U.S.A.

©2020 Siemens Industry, Inc.

The technical data presented in this document is based on an actual case or on as designed parameters, and therefore should not be relied upon for any specific application and does not constitute a performance guarantee for any projects. Actual results are dependent on variable conditions. Accordingly, Siemens does not make representations, warranties, or assurances as to the accuracy, currency or completeness of the content contained herein. If requested, we will provide specific technical data or specifications with respect to any customer's particular applications. Our company is constantly involved in engineering and development. For that reason, we reserve the right to modify, at any time, the technology and product specifications contained herein.