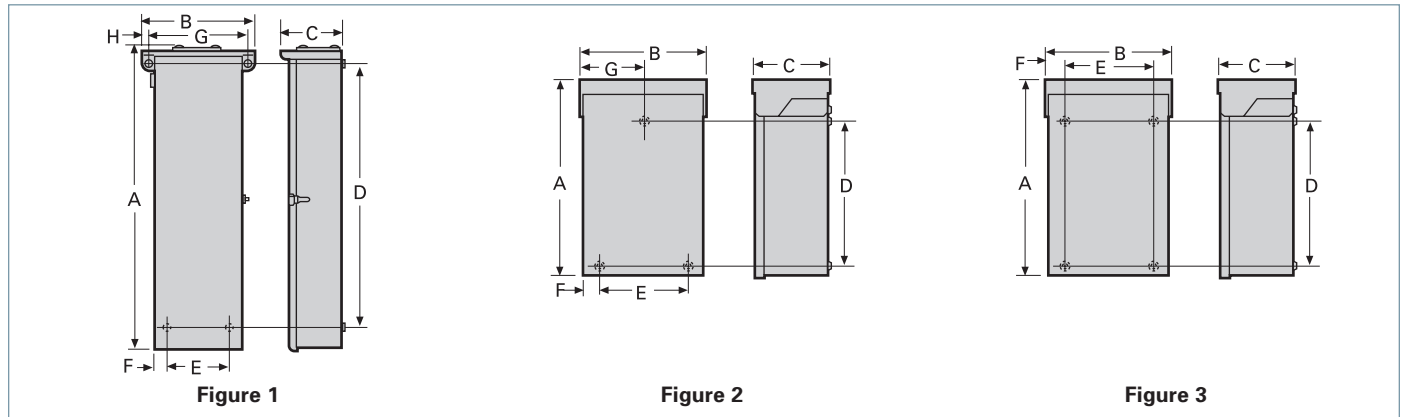


Enclosed Circuit Breakers

Enclosures — Type 3R

Selection

Dimensions



Type 3R

Figure Number	Breaker Frame	No. of Poles	Max. Current Rating	Catalog Number	Weight Lb./Ship. Package	Dimensions (inches)							
						A	B	C	D	E	F	G	H
2	QP, QPH	1, 2	60	W0204ML1060 ^⑤	28	8.1	5.1	4.3	—	—	—	—	—
2	QPP, QPPH, HQPP	1-4	225	W0406ML1225CU ^④	24	23.1	10.5	4.3	20.0	7.5	1.9	5.2	—
2	HQP, QPH, HQP	3	100	W0303ML3100 ^④	9	17.1	7.3	4.3	14.1	4.5	1.1	3.7	—
2	BQ, BQH, HBQ	3	100	WB3100 ^④	9	17.1	7.3	4.3	14.1	4.5	1.1	3.7	—
2	NGG, HGG, LGG	2, 3	125	GG0123RN	15	19.7	9.0	5.0	16.6	6.0	1.2	4.5	—
5	ED2, ED4, ED6, HED4, HED6	2, 3	100	E2N3R ^③	12	17.6	7.2	5.2	12.6	5.2	1.0	3.0	—
5	ED2, ED4, ED6, CED6	2, 3	125	CE6N3R ^③	16	22.3	7.2	5.2	17.3	5.2	1.0	3.0	—
1	FD6, FXD6, HFD6, HFXD6, HHFD6, HHFXD6, CFD6	2, 3	250	F6N3R ^②	45	38.1	14.1	7.7	33.3	8.0	0.8	123.5	0.8
1	JXD2, JD6, JXD6, HJD6, HJXD6, HHJD6, HHJXD6, SJD6, SHJD6 ^⑥	2, 3	400	J6N3R ^②	126	41.0	26.7	11.7	35.7	18.2	2.1	24.5	1.1
1	LD6, LXD6, LXD6H, HLD6, HLXD6, HHL6, HHLXD6, CJD6, CLD6, SCJD6, SLD6, SHLD6 ^⑥	2, 3	600	LD6N3R ^②	137	46.0	26.7	11.7	40.7	18.2	2.1	24.5	1.1
4	LMXD6, LMD6, HLMXD6, HLMD6	2, 3	800	LMD3R ^③	210	61.1	26.7	11.7	57.5	18.2	2.1	24.5	1.1
1	MD6, MXD6, HMD6, HMXD6, CMD6, SMD6, SHMD6, SCMD6, ND6, NXD6, HND6, HNXD6, CND6, SND6, SHND6, SCND6 ^⑥	2, 3	1200	MND63 ^②	210	61.1	26.7	11.7	57.5	18.2	2.1	24.5	1.1

For inches / millimeters conversion, see Application Data section.

Note: All above enclosures are suitable for use as service entrance equipment.

① Does not include circuit breaker. Order circuit breaker separately.

② Neutral not included. Order as separate item from table on next page.

③ Neutral included in enclosure.

④ Will not accept breaker with shunt trip.

⑤ Will not accept 2 pole GFP or breaker with shunt trip.

⑥ Includes 100% rated breakers.