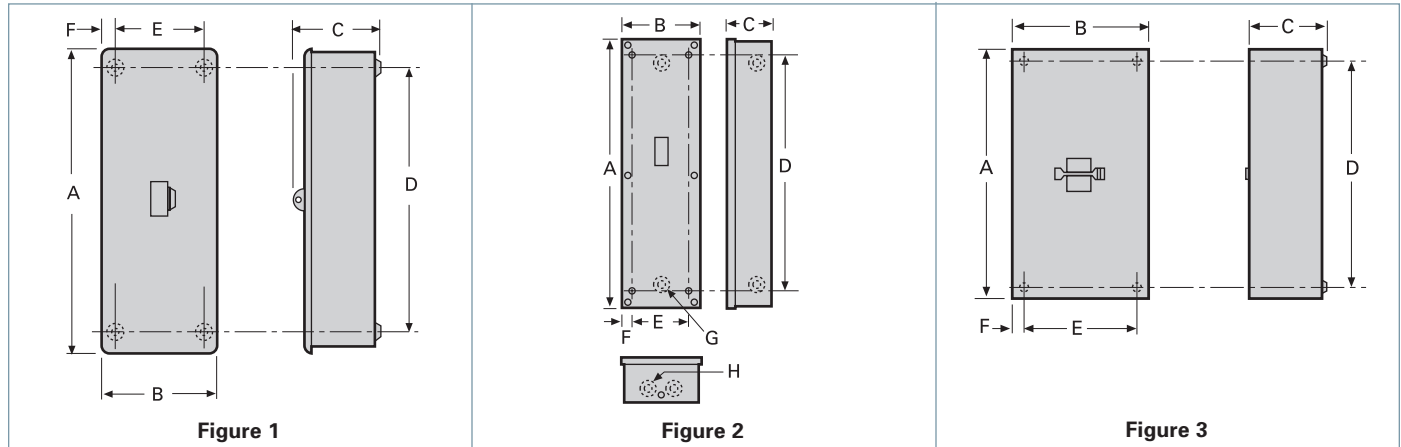


Enclosed Circuit Breakers

Enclosures — Type 1

Selection

Dimensions



Type 1

Fig. No.	Breaker Frame	No. of Poles	Max. Current Rating	Catalog Number	Weight Lb./Ship. Package	Dimensions (inches)						K.O. Dimensions	
						A	B	C	D	E	F	G	H
1	QP, QPH, HQP	1,2	60	E0204ML1060S ^{①③⑦}	16	7.1	5.1	3.3	5.8	3.8	1.1	—	—
1	QP, QPH, HQP	3	100	E0303ML3100S ^{①③⑥}	8	17.1	7.1	4.2	14.1	4.5	1.3	—	—
1	BQ, BQH, HBQ	3	100	EB3100S ^{③⑥}	32	17.1	7.1	4.2	14.1	4.5	1.3	—	—
1	NGG, HGG, LGG	2, 3	125	GG0121FN GG0121SN	12	20.0	8.7	4.0	16.0	6.0	1.3	—	—
2	ED2, ED4, ED6, HED4	2, 3	100	E2N1S ^{③⑦} E2N1F ^{③⑦}	8 8	16.7 17.5	7.5 8.5	5.1 5.1	13.7 13.7	5.2 5.2	1 1	0.8, 1.1, 1.3	0.8, 1.1, 1.3
2	ED4, ED6, HED4, CED6	2, 3	125	CED6N1S ^{③⑦⑨} CED6N1F ^{③⑦⑨}	14 14	21.4 22.2	7.6 8.5	5.1 5.1	18.2 18.2	5.2 5.2	1 1	1.7, 2	1.7, 2
2	FD6, FXD6, HFD6, HFXD6, HHFD6, CFD6	2, 3	250	F6N1S2 ^② F6N1F2 ^②	33	38.4	11.4	5.1	33.0	8.0	1 1.5	1.1, 1.3, 1.7, 2.0, 2.5, 3.0	1.1, 1.3, 1.7, 2.0, 2.5, 3.0
3	JXD2, JD6, JXD6, HJD6, HJXD6, HHJD6, HHJXD6, SJD6, SHJD6	2, 3	400	J6N1 ^②	120	41.2	22.4	10.7	37.0	18.2	2.1	—	—
3	LD6, LXD6, HLD6, HLXD6, HHLXD6, HHLXD6, SLD6, SHLD6, SCJD6, SCLD6, CJD6, CLD6	2, 3	600	LD6N1 ^②	101	46.0	22.4	10.7	42.0	18.2	2.1	—	—
3	LMXD6, LMD6, HLMXD6, HLMD6	2, 3	800	LMD1 ^②	202	60.0	22.4	10.0	55.8	18.2	2.1	—	—
3	MD6, MXD6, SMD6, HMD6, HMXD6, SHMD6, ND6, NXD6, SND6, HND6, HNXD6, SHND6, CMD6, SCMD6, CND6, SCND6	2-3	1200	MND61 ^②	202	60.0	22.4	10.0	55.8	18.2	2.1	—	—
—	PD6, PXD6, HPD6, HPXD6, CPD6, RD6, SPD6, SHPD6, RXD6, HRD6, HRXD6	3	2000	PRD6N1	350	90.0	32.0	28.0	—	—	—	—	—

For inches / millimeters conversion, see Application Data section.
All above enclosures are suitable for use as service entrance devices
■ Built to order. Allow 2-3 weeks for delivery.

①Surface mounted, indoor. If flush mounting is required, replace suffix "S" in catalog number with suffix "F". Also, if outdoor model required, use prefix "W" instead of "E".
②Neutral not included. Order as separate item from table on next page.
③Neutral included in enclosure.
④Surface mounted, indoor. If outdoor model is required, use prefix "W" instead of "E". Not available in flush ("F") model.

⑤Use for 110-125 ampere ED4, ED6, or HED4 circuit breakers.
⑥Will not accept breaker with shunt trip.
⑦Will not accept 2-pole GFP or breaker with shunt trip.
⑧Includes 100% rated breakers.
⑨Enclosure will accept shunt trip and other internal accessories except GFP.