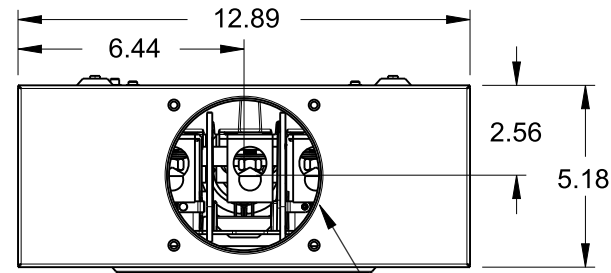


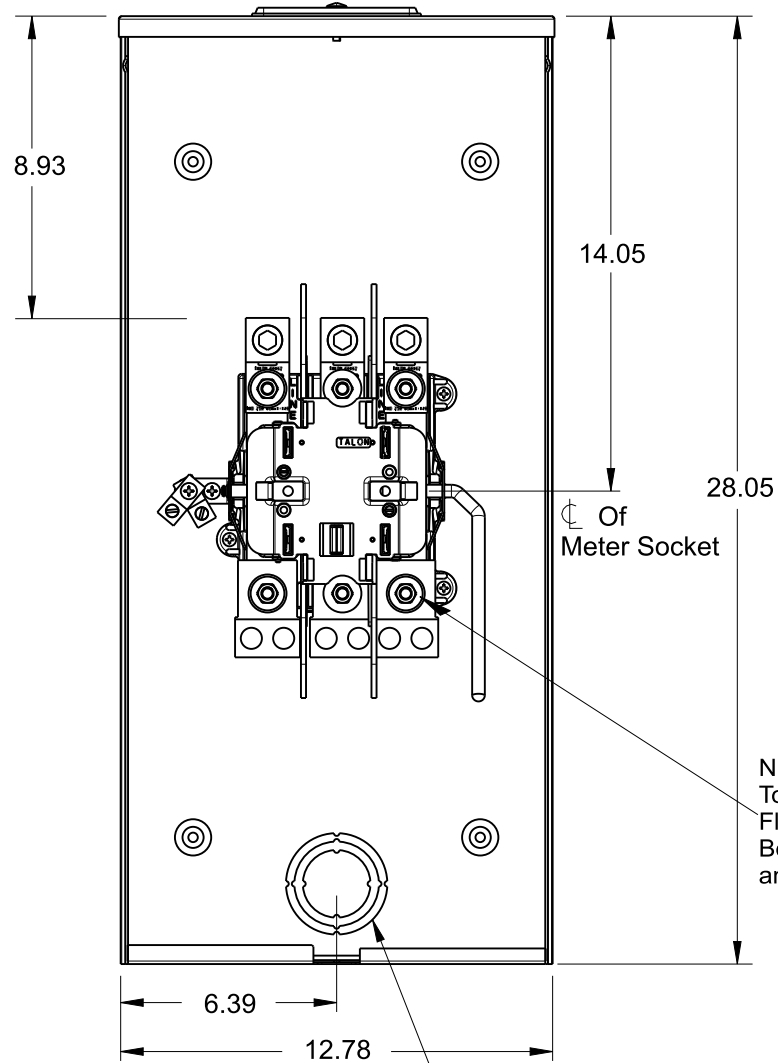
# Catalog Number: 47605-82MR

## Features and Ratings

- Ringless Type Meter Socket
- 320A Continuous, 400A Max.
- Outdoor Enclosure (NEMA Type 3R)
- Painted G90 STEEL
- 1 Phase, 3 Wire, 600V AC
- 5 Jaw, 6 O'clock 5th Jaw
- HQ Clamp Jaw Lever Bypass Meter Socket
- For Overhead Service Only
- HD Hub Opening With Coverplate Installed
- Two Ground Lugs



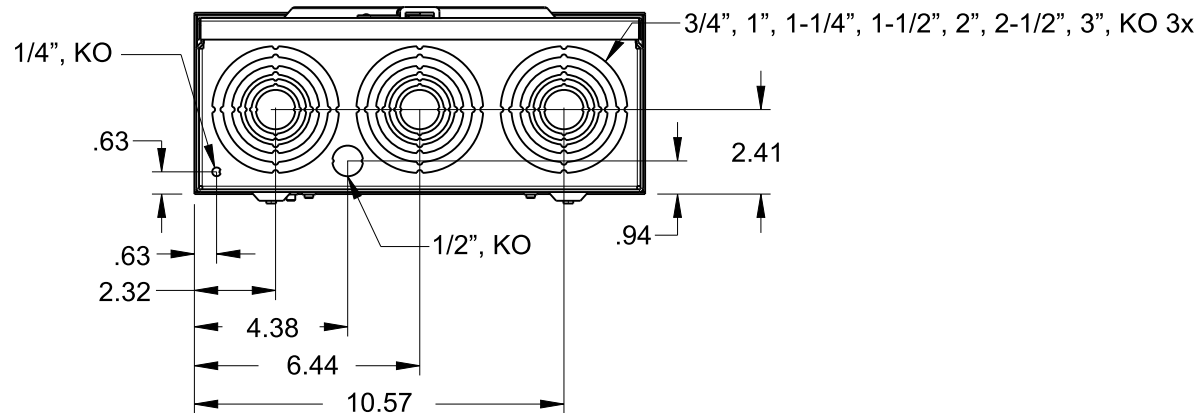
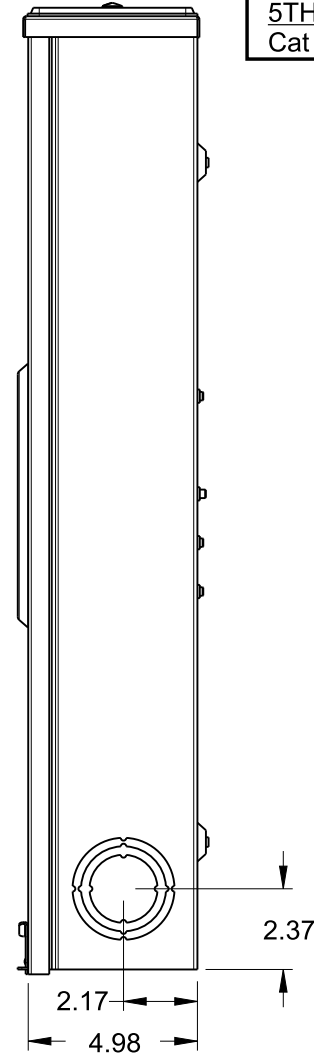
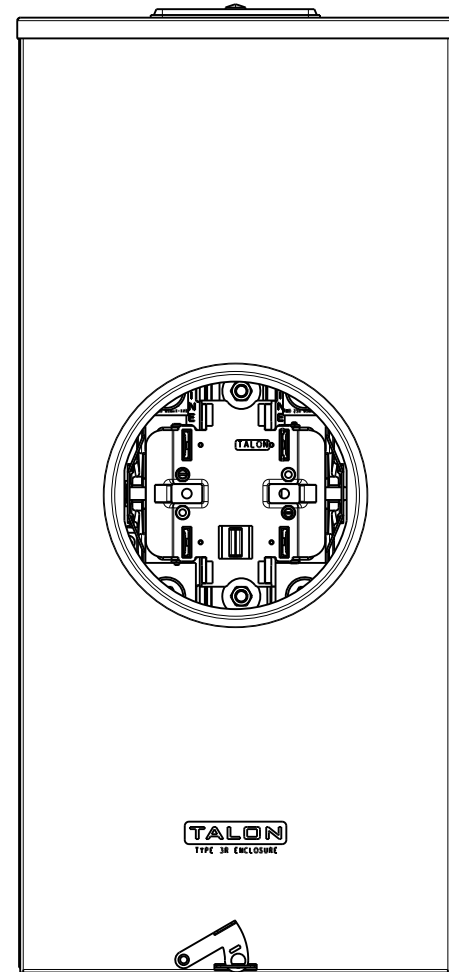
HD HUB PROVISION



Of Meter Socket

Nut Hex Size 9/16"  
Torque to 250 Lb-In  
Flat Washer  
Between Nut and Connector

2", 2-1/2", 3" KO 3x



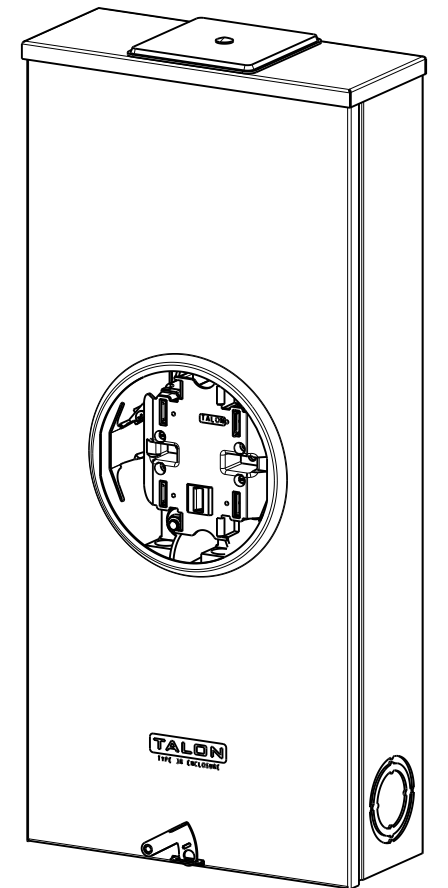
### Accessories

- Meter Opening Cover Plate  
Cat No: H39968
- HD CONDUIT HUB KITS  
Cat No: H56856-2 (3")  
Cat No: H56857-2 (3.50")  
Cat No: H56858-2 (4")
- HD CONDUIT HUB KITS  
Cat No: EC56856 (3")  
Cat No: EC56857 (3.50")  
Cat No: EC56858 (4")
- HD COVERPLATE  
Cat No: H56933
- HD COVERPLATE  
Cat No: EC56933S
- SHIELD ASSEMBLY WITH  
5TH JAW  
Cat No: H35815-5

### Lugs, Wire Sizes and Torques

LOCATION	PART NO.	HEX DRIVE SIZE	WIRE SIZE	TORQUE
LINE*	H60162	1/2"	#4 AWG-600 kcmil (2)#1/0 AWG-250 kcmil	500 LB-IN
LINE	H56476	1/2"	#3/0 AWG-800 kcmil	500 LB-IN
LINE	H56732-2	5/16"	(2)#4 AWG-350 kcmil	275 LB-IN
LOAD	H60162	1/2"	#4 AWG-600 kcmil (2)#1/0 AWG-250 kcmil	500 LB-IN
LOAD	H56476	1/2"	#3/0 AWG-800 kcmil	500 LB-IN
LOAD*	H56732	5/16"	(2)#6 AWG-350 kcmil	275 LB-IN
GROUND*	67554A		#14 - 2/0 AWG	50 LB-IN

\* indicates factory installed connectors



**TALON**  
Meter Socket

Description:  
**320A Cont, 5 Jaw, HQ5S, 600V AC,  
Painted G90 Steel**