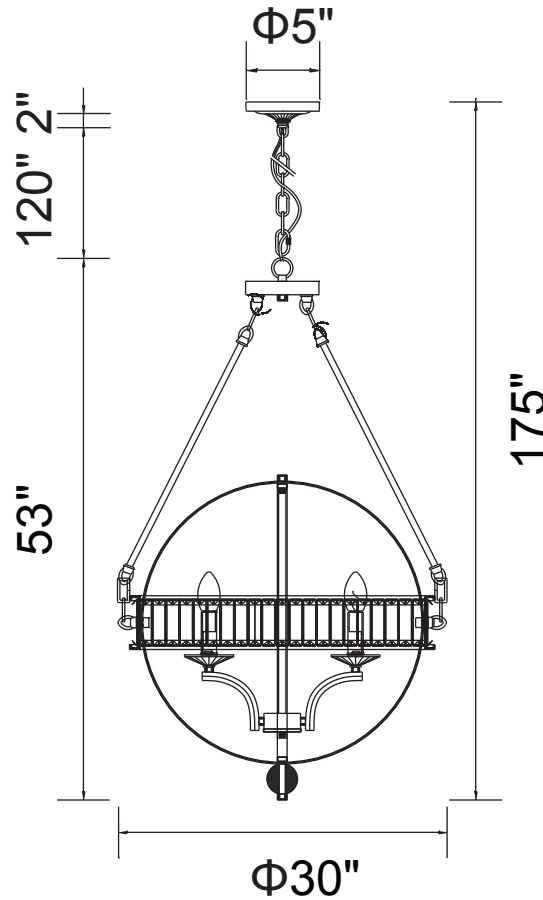


CWI LIGHTING

BRIGHTER LIVING. SIMPLIFIED.

PROJECT: _____
 FIXTURE TYPE: _____
 LOCATION: _____
 CONTACT/PHONE: _____



Item	9957P30-6-601
Collection	ARKANSAS
Finish	Chrome
Glass	-----
Crystal	Clear
Input	120V AC,60HZ,AC

Shade	-----
Length/Dia.	30"
Width/Ext.	-----
Height	53"
Maximum	175"
Lumens	-----

Light Source	E12
Bulb Info.	6x60W
Included	-----
Dimmable	No
Color	-----
Weight	-----