

# CWI LIGHTING

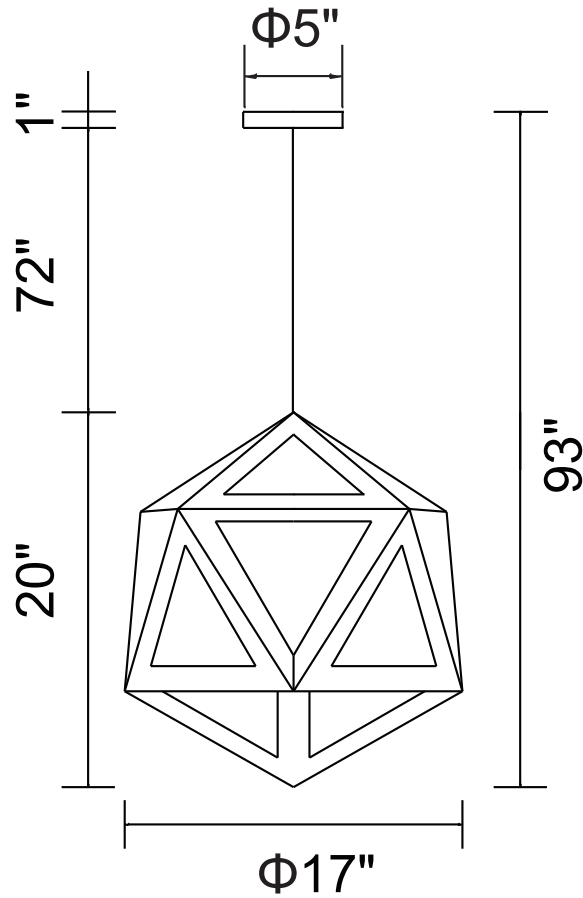
BRIGHTER LIVING. SIMPLIFIED.

PROJECT: \_\_\_\_\_

FIXTURE TYPE: \_\_\_\_\_

LOCATION: \_\_\_\_\_

CONTACT/PHONE: \_\_\_\_\_



|            |                 |
|------------|-----------------|
| Item       | 9945P17-3-101   |
| Collection | LANTE           |
| Wood       | Natural Wood    |
| Finish     | Black           |
| Crystal    | -----           |
| Input      | 120V AC,60HZ,AC |

|             |       |
|-------------|-------|
| Shade       | ----- |
| Length/Dia. | 17"   |
| Width/Ext.  | ----- |
| Height      | 20"   |
| Maximum     | 93"   |
| Lumens      | ----- |

|              |       |
|--------------|-------|
| Light Source | E26   |
| Bulb Info.   | 1×60W |
| Included     | ----- |
| Dimmable     | No    |
| Color        | ----- |
| Weight       | ----- |