

CWI LIGHTING

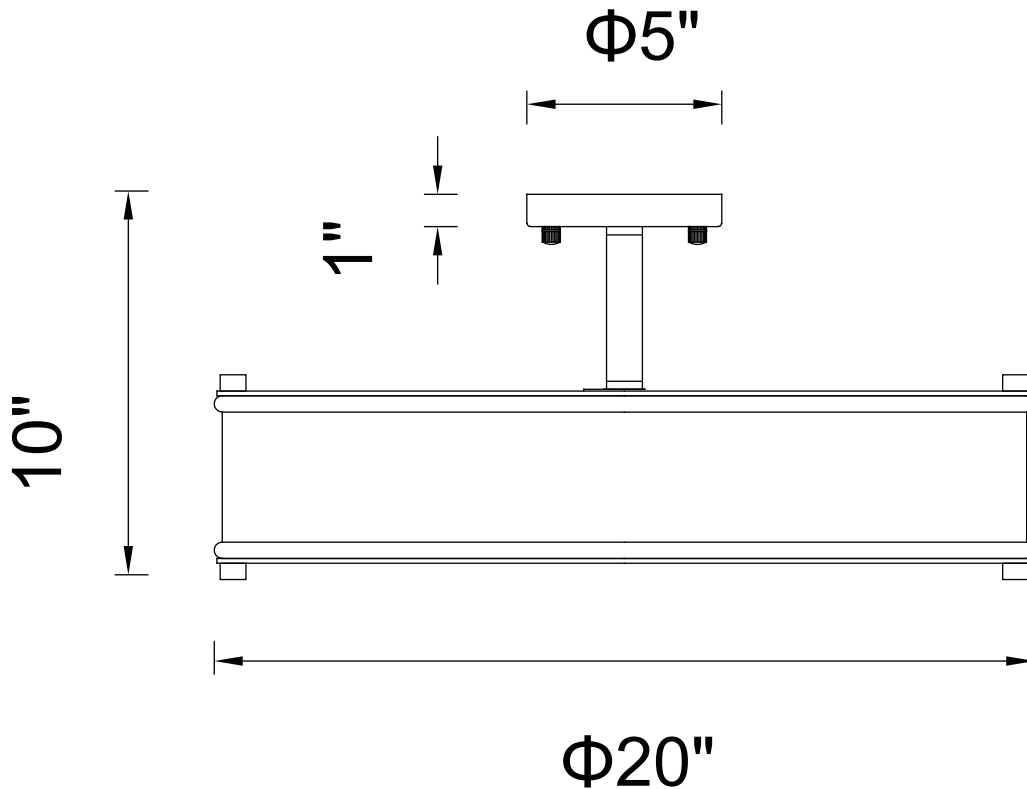
BRIGHTER LIVING. SIMPLIFIED.

PROJECT: _____

FIXTURE TYPE: _____

LOCATION: _____

CONTACT/PHONE: _____



Item	9904C20-5-101
Collection	TIGRIS
Finish	Black
Glass	-----
Crystal	-----
Input	120V AC,60HZ,AC

Shade	-----
Length/Dia.	20"
Width/Ext.	-----
Height	10"
Maximum	10"
Lumens	-----

Light Source	E26
Bulb Info.	5×60W
Included	-----
Dimmable	No
Color	-----
Weight	